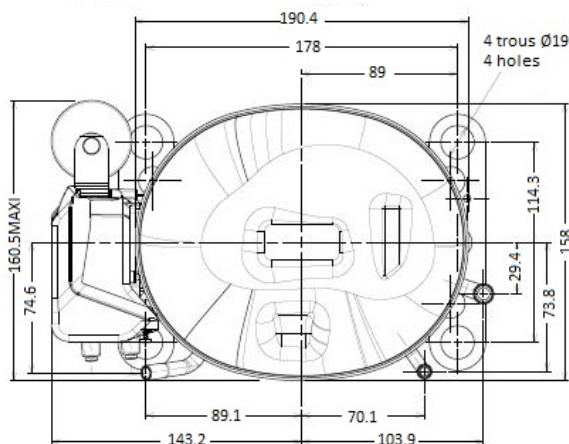
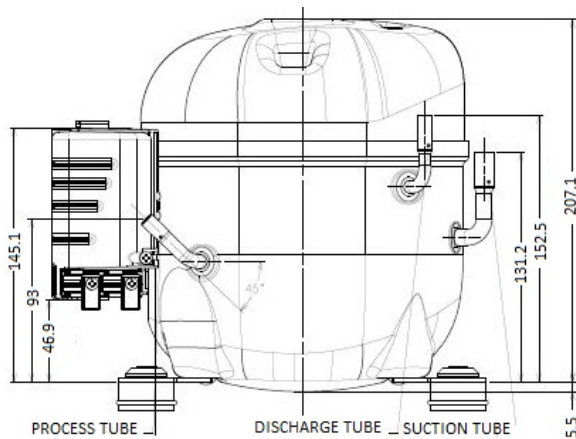


Compressor
Voltage Code : FZ

AE4440P-FZ1A

High Temp. Commercial (HP)
220 - 240V 1~ 50 Hz
R455A / R454C
AE4440P-FZ1A

Conditions	Frequency	Nominal Cooling Capacity		Sound Power ISO3745 / ISO 3743-1
		Watts	BTU/h	
CECOMAF / R455A	50 Hz	763	2602	57 dBA
CECOMAF / R454C	50 Hz	707	2411	57 dBA



* CECOMAF : T°Cond. 55.0°C / T°Evap. 5.0°C / T°Return gas temp.. 32.0°C
 T°Subcooling. 0.0K

Certificates :


Displacement (cc)	6,69
Net Weight (Kg)	10.7
Oil Quantity (cc)	380.0
Oil Type	Polyolester
Expansion Device	Capillary_Tube or Expansion_Valv
Cooling	Fan
Main Winding (Ohm)	6.7
Start Winding (Ohm)	19.3
Current	
RLA (A)	2,5
MCC (A)	3,1
LRA (A)	14,5
Electrical Equipment	CSIR
Overload	MRA58210
Time Check	6.5s - 16s / 9,80 A
Open Temp	135° C
Close Temp	52° C
Start Capacitor	88 µF / 250 V
Current Relay	9660C-***-155
Pick Up	8,5A
Drop Out	7,15A
Optional	MTRP50
Refrigerating connection for	
Suction Tube	9.5 (3/8")
Discharge Tube	6.35 (1/4")
Process Tube	6.35 (1/4")

Note : Tecumseh reserves the right to change information contained in this document without notification.



Tecumseh

AE4440P-FZ1A	Tension FZ : 220 - 240V 1~ 50 Hz
---------------------	---

Les performances sont données dans les conditions CECOMAF :	Gaz aspirés :	32.0 °C
Condition Mid	Sous refroidissement :	0.0 K
The performance data are in CECOMAF conditions :	Return gas :	32.0 °C
Mid Condition	Subcooling :	0.0 K

© 2021 Tecumseh Products Company
All rights reserved

50 Hz R455A

N°3222

4 T condensation	5 T évaporation	(°C)	-25	-20	-15	-10	-5	0	5	10	15
30	1 P frigorifique	(Watt)		428	542	674	829	1012	1228	1480	1775
	2 P absorbée	(W)		242	259	275	288	298	303	302	293
	3 I absorbée	(A)		2.13	2.17	2.21	2.24	2.26	2.27	2.26	2.23
40	1 P frigorifique	(Watt)			457	571	703	858	1041	1255	1507
	2 P absorbée	(W)			286	307	326	342	354	361	362
	3 I absorbée	(A)			2.22	2.28	2.33	2.38	2.42	2.45	2.47
50	1 P frigorifique	(Watt)				461	573	702	855	1034	1246
	2 P absorbée	(W)				326	352	377	399	417	429
	3 I absorbée	(A)				2.32	2.40	2.48	2.56	2.63	2.69
60	1 P frigorifique	(Watt)					442	549	673	820	995
	2 P absorbée	(W)					365	400	434	464	490
	3 I absorbée	(A)					2.44	2.55	2.67	2.78	2.88

50 Hz R454C

N°3216

4 T condensation	5 T évaporation	(°C)	-25	-20	-15	-10	-5	0	5	10	15
30	1 P frigorifique	(Watt)		375	482	605	750	918	1116	1347	1614
	2 P absorbée	(W)		229	245	259	271	279	283	282	274
	3 I absorbée	(A)		2.09	2.12	2.15	2.19	2.21	2.22	2.22	2.20
40	1 P frigorifique	(Watt)			405	513	637	783	952	1151	1384
	2 P absorbée	(W)			263	283	300	316	328	336	338
	3 I absorbée	(A)			2.16	2.21	2.26	2.30	2.34	2.36	2.37
50	1 P frigorifique	(Watt)				418	523	645	788	957	1155
	2 P absorbée	(W)				299	324	347	367	384	396
	3 I absorbée	(A)				2.25	2.31	2.38	2.45	2.50	2.55
60	1 P frigorifique	(Watt)					409	509	626	765	930
	2 P absorbée	(W)					340	370	399	426	449
	3 I absorbée	(A)					2.36	2.45	2.55	2.64	2.72

1 = cooling capacity 2 = power input 3 = current 4 = condensing temperature 5 = evaporating temperature

Nota : Tecumseh se réserve le droit de modifier les informations contenues dans ce document sans préavis.

Note : Tecumseh reserves the right to change information contained in this document without notification.