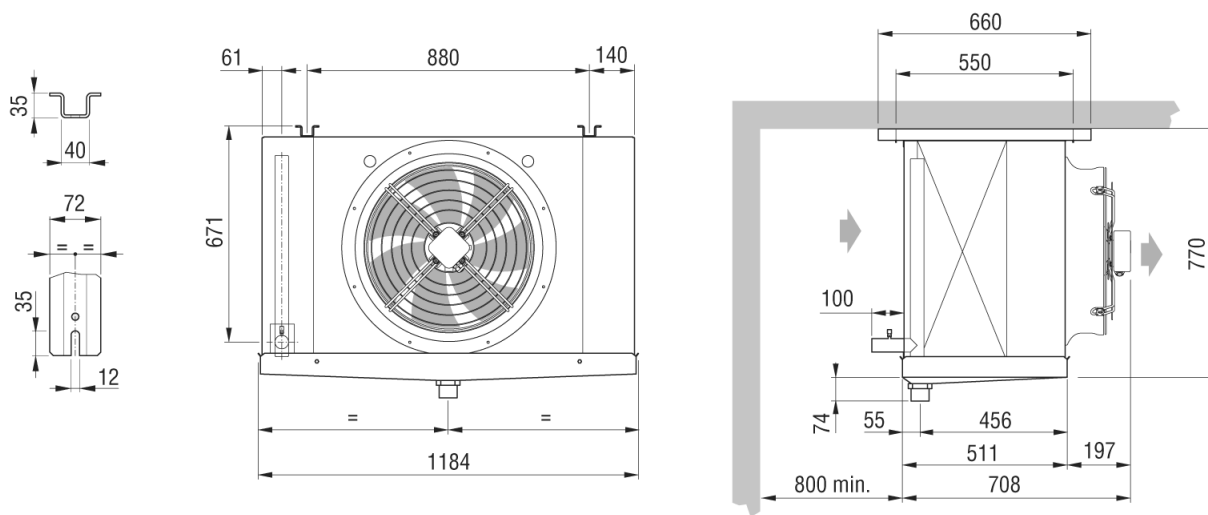


Capacity	[KW]	9.00	Minimum Number Of Motor		1
Inlet Air Temperature	[°C]	-3.00	Evaporating temperature [Dew]	[°C]	-10.00
DT [Dew]	[K]	7.00	Refrigerant		R448A
Minimum number of units in room		1	Altitude	[m]	0.0
Heat exchanger	Aluminium fin		Casing		Standard
Fan motor feed	Standard		Type of fan motor		AC motors
Defrost	Electric				

Selected model: 1 x CTE 501E8

ED

Capacity	[kW]	9.20	Margin	[%]	2.3
DT [Dew]	[K]	6.9	Tot. air flow	[m³/h]	7780.0
Tot. Pres.S.Lev.	[dB(A) @[m]]	54 (5m)			



Weight	kg	61.000	PED Category		Cat I
			Design Pressure PS	[bar]	30
Internal surface	m²	4.30	External surface	m²	18.00
Inlet connection		16 mm	Output connection		35 mm
Total circuit capacity	dm³	7.8	Fin spacing	mm	8.5
Drain connection		2" GAS			
Defrost	ED		Electric	W	5040
Fan Motors	n.	1	Diameter	mm	500
Air flow	m³/h	7780	Air throw	m	29.0
Feed	V	400/3/50	Rotation speed	rpm	1300
Fan Motor	A	1.70	Absorbed power	W	860
Pres.S.Lev. 5 m.	dB(A)	54			



* The safety requirements for the use of refrigerants must comply with the provisions of the EN378 standards and the safety data sheets of each fluid used. The risk assessment for the use of A2L mid-flammable refrigerants shall be conducted by the user based on site requirements

We shall not be liable for the performance and the quality of sold products, if fitted or connected fan motor speed regulation or control systems are different from the ones proposed or installed by us.

ED

Heat exchanger

Aluminium fin

EUR 0.00

Casing

Standard

EUR 0.00

Fan motor feed

Standard

EUR 0.00

Type of fan motor

AC motors

EUR 0.00

Defrost

ED - Electric

EUR 0.00

Base Price

EUR 3,132.00

Surcharge Water Version

EUR 0.00

Total Options

EUR 0.00

Total Price

EUR 3,132.00



* The safety requirements for the use of refrigerants must comply with the provisions of the EN378 standards and the safety data sheets of each fluid used. The risk assessment for the use of A2L mid-flammable refrigerants shall be conducted by the user based on site requirements

We shall not be liable for the performance and the quality of sold products, if fitted or connected fan motor speed regulation or control systems are different from the ones proposed or installed by us.