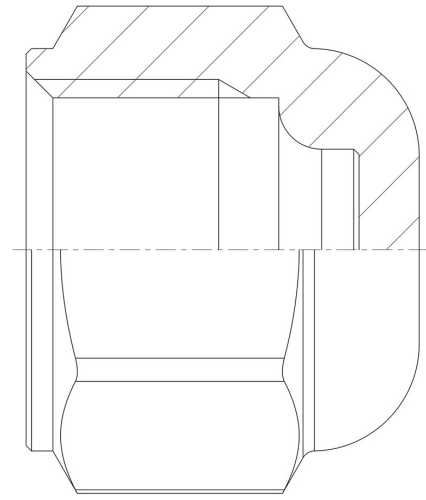


Product Code

**7020/X02**

Blind Nut  
5/16" Flare  
PS = 140 bar



### Product use

Accessories for use with the following ASHRAE 34:2019 refrigerants, Class A1, A2L, or A3:

- HCFC (R22)
- HFC (R134a, R32, R404A, R407C, R410A, R507)
- HFO and HFO/HFC blends (R1234ze, R1234yf, R448A, R449A, R450A, R452A, R513A, R515A, R515B)
- HC (R290, R600, R600a, R1270)
- R744

### Product details

**International code** N5-5 CAP NUT

**SAE Flare** 5/16"

**Copper Pipe Ø [in.]** -

**Copper Pipe Ø [mm]** -

**PS [bar]** 140

**Package pcs** 100

### Notes

(1) Can be used without copper gasket