



Compressor  
Voltage Code : FZ

# AJ4510P-FZ

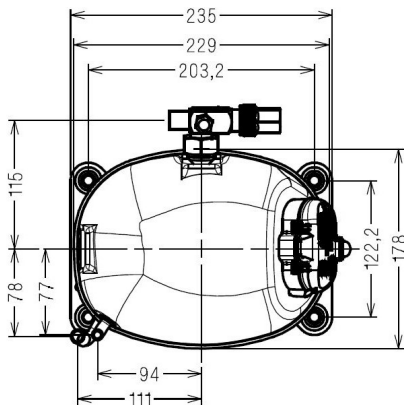
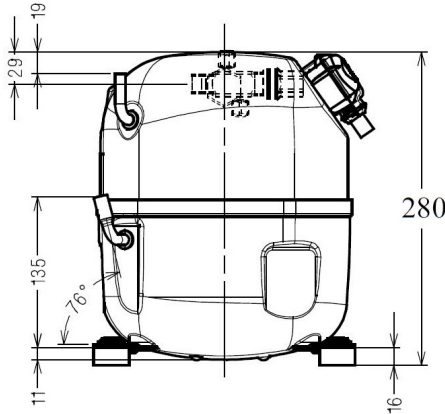
High Temp. Commercial (HP)

220 - 240V 1~ 50 Hz

R455A / R454C

## AJ4510P-FZ3A

Conditions	Frequency	Nominal Cooling Capacity		Sound Power ISO3745 / ISO 3743-1
		Watts	BTU/h	
EN12900 / R455A	50 Hz	2170	7400	63 dBA
EN12900 / R454C	50 Hz	1992	6791	63 dBA



\* EN12900 : T°Cond. 50.0°C / T°Evap. 5.0°C / T°Return gas temp.. 20.0°C  
T°Subcooling. 0.0K

Certificates :



<b>Displacement (cc)</b>	18,3
<b>Net Weight (Kg)</b>	21.5
<b>Oil Quantity (cc)</b>	475.0
<b>Oil Type</b>	Polyolester
<b>Expansion Device</b>	Capillary_Tube/Expansion_Valve
<b>Cooling</b>	Fan
<b>Main Winding (Ohm)</b>	2.9
<b>Start Winding (Ohm)</b>	8.8
<b>Current</b>	
RLA (A)	4,7
MCC (A)	7,5
LRA (A)	29.5
<b>Electrical Equipment</b>	CSR
<b>Overload</b>	MRA38128
Time Check	2.8s - 5.2s / 20.5 A
Open Temp	105° C
Close Temp	52° C
<b>Start Capacitor</b>	100 µF / 330 V
<b>Run Capacitor</b>	15 µF / 400 V
<b>Potential Relay</b>	RVA40**
Pick Up	280/310V
Drop Out	60/121V
<b>Refrigerating connection for</b>	
Suction Tube	15.9 (5/8")
Discharge Tube	7.9 (5/16")
Process Tube	6.35 (1/4")


Note : Tecumseh reserves the right to change information contained in this document without notification.




Tecumseh

<b>AJ4510P-FZ</b>	<b>Tension FZ : 220 - 240V 1~ 50 Hz</b>
-------------------	---

Les performances sont données dans les <b>conditions EN12900</b> :	Gaz aspirés :	20.0 °C
Condition Dew	Sous refroidissement :	0.0 K
The performance data are in <b>EN12900 conditions</b> :	Return gas :	20.0 °C
Dew Condition	Subcooling :	0.0 K

<b>50 Hz R455A</b>											
 <b>N°3276</b>											
4   T condensation	5   T évaporation	(°C)	-25	-20	-15	-10	-5	0	5	10	15
<b>30</b>	1   P frigorifique	(Watt)		970	1259	1601	2005	2477	3026	3659	4384
	2   P absorbée	(W)		538	586	628	664	697	729	760	794
	3   I absorbée	(A)		2.62	2.84	3.03	3.20	3.35	3.49	3.60	3.70
<b>40</b>	1   P frigorifique	(Watt)			1047	1350	1705	2120	2601	3158	3797
	2   P absorbée	(W)			625	687	741	789	833	875	916
	3   I absorbée	(A)			3.02	3.30	3.55	3.78	3.98	4.16	4.32
<b>50</b>	1   P frigorifique	(Watt)				1095	1401	1757	2170	2649	3202
	2   P absorbée	(W)				726	804	874	938	996	1053
	3   I absorbée	(A)				3.48	3.84	4.17	4.47	4.74	4.98
<b>60</b>	1   P frigorifique	(Watt)					1100	1396	1740	2141	2606
	2   P absorbée	(W)					848	946	1036	1118	1195
	3   I absorbée	(A)					4.05	4.51	4.93	5.32	5.67

<b>50 Hz R454C</b>											
 <b>N°3277</b>											
4   T condensation	5   T évaporation	(°C)	-25	-20	-15	-10	-5	0	5	10	15
<b>30</b>	1   P frigorifique	(Watt)		941	1200	1510	1879	2313	2820	3407	4082
	2   P absorbée	(W)		517	563	606	647	683	713	735	747
	3   I absorbée	(A)		2.53	2.74	2.94	3.13	3.29	3.41	3.49	3.50
<b>40</b>	1   P frigorifique	(Watt)			1009	1276	1592	1964	2399	2905	3488
	2   P absorbée	(W)			601	656	708	756	798	832	858
	3   I absorbée	(A)			2.90	3.16	3.40	3.62	3.81	3.95	4.05
<b>50</b>	1   P frigorifique	(Watt)				1049	1315	1626	1992	2418	2912
	2   P absorbée	(W)				707	776	841	900	952	996
	3   I absorbée	(A)				3.38	3.70	4.00	4.28	4.52	4.72
<b>60</b>	1   P frigorifique	(Watt)					1048	1302	1599	1948	2354
	2   P absorbée	(W)					824	911	992	1067	1133
	3   I absorbée	(A)					3.93	4.34	4.73	5.09	5.41

1 = cooling capacity 2 = power input 3 = current 4 = condensing temperature 5 = evaporating temperature

**Nota : Tecumseh se réserve le droit de modifier les informations contenues dans ce document sans préavis.**  
**Note : Tecumseh reserves the right to change information contained in this document without notification.**

© 2022 Tecumseh Products Company  
All rights reserved