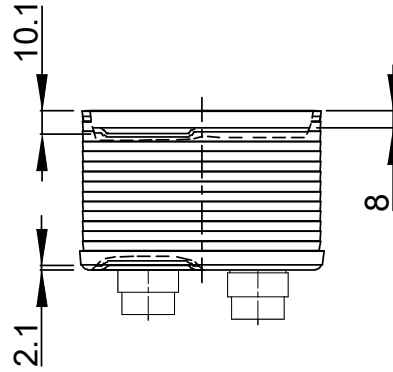
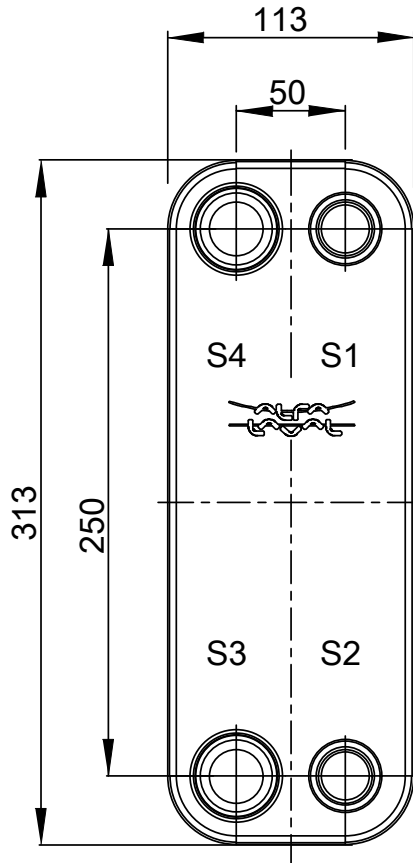
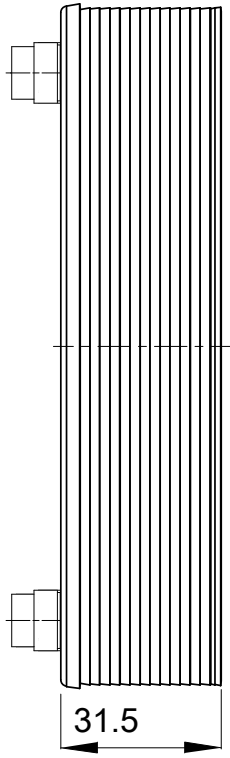
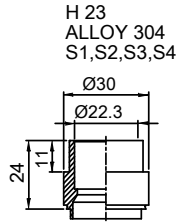


Note that all unique customer requirements (i.e tolerance) need to be verified thru Alfa Laval.



HEATING SURFACE m<sup>2</sup>  
 NETWEIGHT 2.2 kg  
 OPERATING WEIGHT kg  
 PLATE MATERIAL ALLOY 316  
 PLATE GROUPING 1\*3ML/1\*4MH

T1 T2 T3 T4 locations on back side correspond to S1 S2 S3 S4 on front side

ALL DIMENSIONS IN MILLIMETERS

SIDE	MEDIA	INLET	TEMP. °C	OUTLET	TEMP. °C	FLOW RATE	PRESSURE DROP	LIQUID VOL.
1	Water	S1	°C	S2	°C	kg/s	kPa	0.2 dm <sup>3</sup>
2	Water	S3	°C	S4	°C	kg/s	kPa	0.2 dm <sup>3</sup>



PRESSURE VESSEL APPROVAL PED  
 CB30-8M-F (3075150394)

www.alfalaval.com

CUSTOMER NAME / REF. NO.  
 Darment Oy

COMPANY / REF.  
 Alfa Laval Nordic Oy  
 GBS 418M  
 CB30

TOTAL LENGTH 55 mm  
 TOTAL WIDTH 113 mm  
 TOTAL HEIGHT 313 mm



9/26/2024  
 REV 0