

INT69 TM[®] Motor protector

INT69 TM[®]



INT69 TM

Application

Motor protection based on PTC sensors is one of the most effective and reliable protective measures against thermal overload in electrical machines.

The protection unit is composed of the INT69 TM motor protector and the PTC sensors. Due to its compact construction, the INT69 TM is suitable for installation in electrical devices or in the terminal boxes of electrical machines.

Functional description

At the measuring circuit input of the INT69 TM, it is possible to connect up to nine DIN 44081, DIN 44082 conform PTC sensors. Sensors with different nominal response temperatures may be used. Thus it is possible to monitor several measuring points with only one INT69 TM motor protector.

If the temperature in one of the monitored parts or sections reaches the nominal response temperature of the respective PTC sensor, the sensor becomes highly resistive and the motor protector switches off. After cooldown or elimination of the error and a subsequent reset delay, the machine can be restarted.

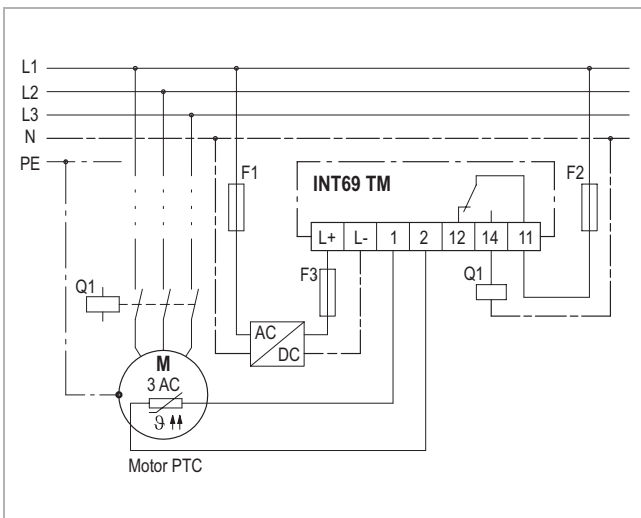
The relay's switching output is a potential-free changeover contact. This circuit works in accordance with the closed-circuit principle, i.e. even in the event of a sensor or cable break, the relay returns to its rest position and switches off.

Only the output relay is galvanically isolated.

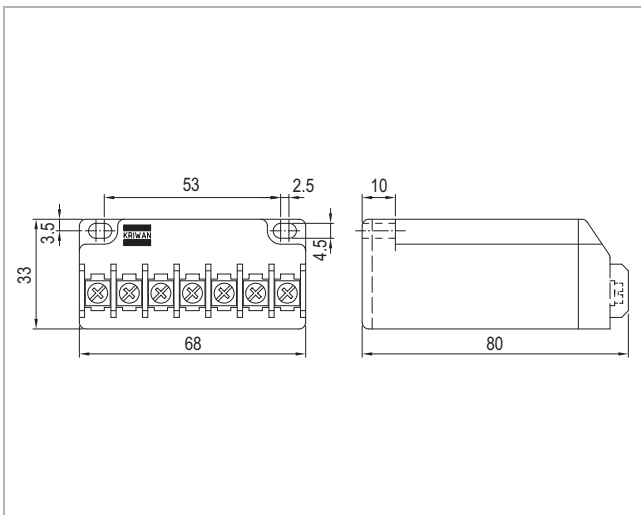
 The mounting, maintenance and operation are to be carried out by an electrician. The valid European and national standards for connecting electrical equipment have to be observed.

Connected sensors and connection lines that extend from the terminal box have to feature at least a basic insulation.

See back side for further specifications



Wiring diagram



Dimensions in mm

Technical changes reserved



INT69 TM®

INT69 TM® Motor protector

Technical specifications

Supply voltage	DC 24V $\pm 20\%$ 1W
Permitted ambient temperature	-30...+70°C
Temperature measuring circuits	
- Type	1-9 PTC sensors acc. to DIN 44081, DIN 44082 in series
- $R_{25, \text{total}}$	<1.8k Ω
- R_{trip}	4.5k Ω $\pm 20\%$
- R_{reset}	2.75k Ω $\pm 20\%$
- Max. length connection line	30m
Reset delay	5min ± 1 min
Reset of reset delay	Main reset >5s only possible if there is no error current
Relay	
- Contact	AC 240V 2.5A C300 at least AC/DC 24V 20mA
- Mechanical service life	Approx. 1 million switching cycles
Protection class acc. to EN 60529	IP00
Connection type	Screw type terminal
Housing material	PA glass-fibre-reinforced
Mounting	Can be snapped onto 35mm standard rail acc. to EN 60715 or screw mounted
Dimensions	See dimensions in mm
Weight	Approx. 200g
Check base	EN 61000-6-2, EN 61000-6-3 EN 61010-1 Overvoltage category II Pollution level 2
Approval	UL File No. E75899 cUR _{US}

Order data

INT69 TM Motor protector	13 A 463 S021
Accessories and application information	see www.kriwan.com