



Tecumseh

Compressor
Voltage Code : FZ

AJ5512C-FZ

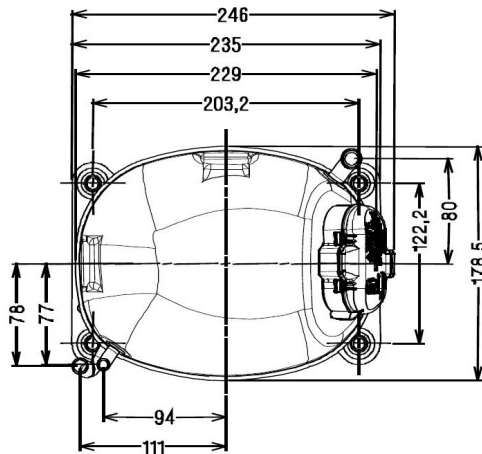
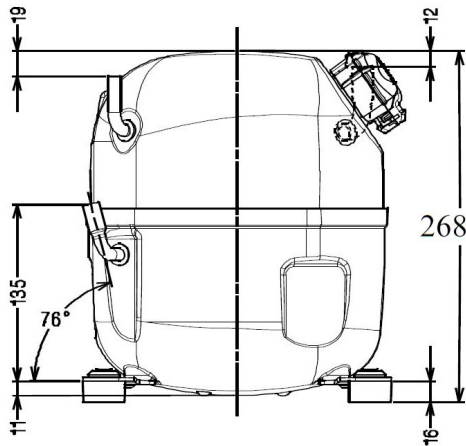
Air Conditioning & Heating (CA)

220 - 240V 1~ 50 Hz

R407C

AJ5512C-FZ3C

Conditions	Frequency	Nominal Cooling Capacity		Sound Power ISO3745 / ISO 3743-1
		Watts	BTU/h	
EN12900 / R407C	50 Hz	2394	8163	62 dBA



* EN12900 : T°Cond. 50.0°C / T°Evap. 5.0°C / T°Superheat. 10.0°C
T°Subcooling. 0.0K

Certificates :



Displacement (cc)	21.75
Net Weight (Kg)	18.2
Oil Quantity (cc)	475.0
Oil Type	Polyolester
Expansion Device	Capillary_Tube
Cooling	Fan
Main Winding (Ohm)	2.33
Start Winding (Ohm)	11.3
Current	
RLA (A)	5.9
MCC (A)	9.3
LRA (A)	28
Electrical Equipment	
	PTCSCR,CSR,PSC
Overload	
Time Check	MST18AJW
Open Temp	2.8s - 5.2s / 28 A
Close Temp	135° C
Optional	61° C
	/
Start Capacitor	21 µF / 330 V
Run Capacitor	15 µF / 400 V
Potential Relay	
Pick Up	RVA4G**
Drop Out	180/195V
Optional	40/105V
	3ARR3*6AS*
Refrigerating connection for OD	
Suction Tube	9.5 (3/8")
Discharge Tube	6.35 (1/4")
Process Tube	6.35 (1/4")

Note : Tecumseh reserves the right to change information contained in this document without notification.



Tecumseh

AJ5512C-FZ	Tension FZ : 220 - 240V 1~ 50 Hz
-------------------	---

Les performances sont données dans les conditions EN12900 :	Surchauffe :	10.0 K
Condition Dew	Sous refroidissement :	0.0 K
The performance data are in EN12900 conditions :	Superheat :	10.0 K
Dew Condition	Subcooling :	0.0 K

50 Hz R407C

N°341EG-FZ

4 T condensation	5 T évaporation	(°C)	-25	-20	-15	-10	-5	0	5	10	15
40	1 P frigorifique	(Watt)				1202	1680	2255	2924	3689	4550
	2 P absorbée	(W)				794	887	963	1021	1062	1085
	3 I absorbée	(A)				4.77	4.93	5.12	5.33	5.58	5.85
50	1 P frigorifique	(Watt)					1328	1816	2394	3062	3820
	2 P absorbée	(W)					906	1005	1096	1177	1250
	3 I absorbée	(A)					5.10	5.42	5.76	6.12	6.51
60	1 P frigorifique	(Watt)						1377	1862	2433	3088
	2 P absorbée	(W)						1045	1165	1286	1407
	3 I absorbée	(A)						5.72	6.18	6.66	7.15

© 2019 Tecumseh Products Company
All rights reserved

1 = cooling capacity 2 = power input 3 = current 4 = condensing temperature 5 = evaporating temperature

Nota : Tecumseh se réserve le droit de modifier les informations contenues dans ce document sans préavis.

Note : Tecumseh reserves the right to change information contained in this document without notification.