

Asiakas  
Päivämäärä 28.4.2021  
Projekti  
Viite  
Tarjousnumero

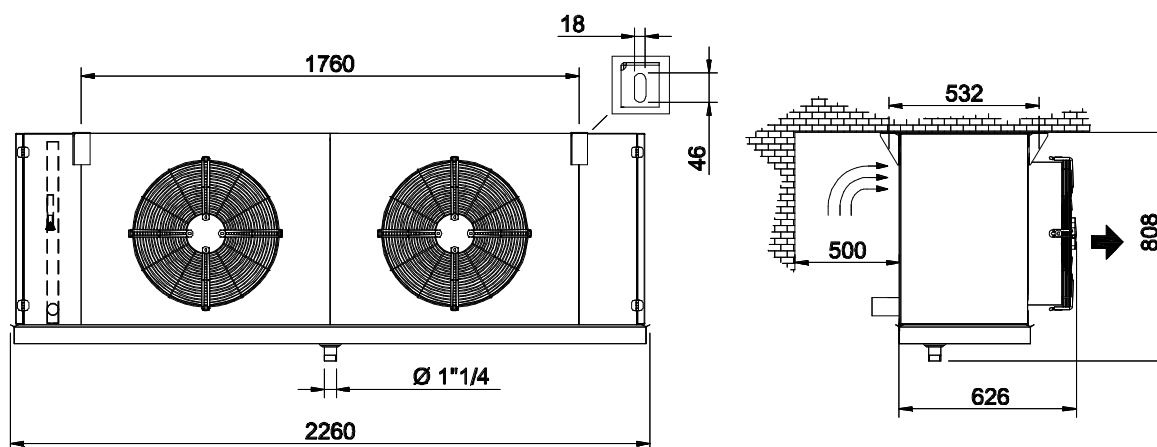


Stefani S.p.A.  
Via del Lavoro, 9  
Castegnero (VI) - ITALY  
Tel. +39 0444 639 999  
Fax. +39 0444 638 240

## HÖYRYSTIN

Malli 1 x BOREA E 50-2 G 7,5 E 4D [RB ]

Teho	18,8 kW	Kylmäaine	R404A
Ilman sisäänmenolämpötila	-23,0 °C	Höyrystyslämpötila	Dew -30,0 °C
Ilman ulostulolämpötila	-26,1 °C	Tulistus	5 K
Suhteellinen kosteus	88 %	Lauhtumislämpötila	Dew 40,0 °C
Suhteellinen kosteus	100 %	Alijäähdytys	0 K
Q.ty of condensed water	1,5 kg/h		
Korkeus	0 m		
Ilmavirtaus	14500 m <sup>3</sup> /h	kierrosluku	100 %
Puhallusilman heitto	31,8 m	Puhallin nopeus	1390 1/min
Puhaltimien määrä	2	Äänentaso	78 dB(A)
Puhaltimen halkaisija	500 mm	Äänen painetaso ISO 3744	52 dB(A) at 5 m
Jännite	400 V	Ottoteho	1440 W
Taajuus	50 Hz	Nimellisteho	1440 W
Virtalähde	3-vaiheinen	Nimellisvirta (*)	2,82 A
Saatavilla oleva staattinen paine	0 Pa		
Pinta-ala	69,4 m <sup>2</sup>	Putket	Kupari
Sisätilavuus	22,8 dm <sup>3</sup>	Lamellit	Alumiini
Lamelliväli	7,5 mm	Kotelointi	Alumiini / Maalattu galvanoitu teräs
Paino	134 kg	Pituus	2260 mm
Putkiyhde, sisään	28 mm	Korkeus	808 mm
Putkiyhde, ulos	54 mm	Leveys	626 mm
		PS	30 bar
Sulatus	Sähkö	1x1,4+5x1,4=8,4 kW	



(\*) Virrankulutus voi vaihdella riippuen ilman lämpötilasta  
HUOMAUTUS

MasterUnits 2016 - v. 200408  
9478E2A5F0AD688FE0000000086667DF85E

Asiakas  
Puhelin  
Fax  
Sähköposti  
Päivämäärä 28.4.2021  
Projekti  
Viite  
Tarjousnumero



**Stefani S.p.A.**  
Via del Lavoro, 9  
Castegnero (VI) - ITALY  
Tel. +39 0444 639 999  
Fax. +39 0444 638 240

## HÖYRYSTIN

---

Malli 1 x BOREA E 50-2 G 7,5 E 4D [RB ]

### **SALES NOTE:**

**In case of order is required the signature for the acceptance and approval of Sales conditions**

**Warranty of resistance to corrosion are excluded if not specified. Materials compatibility to the ambient where the units is installed must be check by customer.**

**Datasheet does not indicate weights and dimensions valid for transport: weights and dimensions are not valid for installation purpose and for all the possible combination of options configuration.**

**As technical agreement, for all of units with horizontal air flow, it is defined right side D connection when air flow direction with reference to front view of the unit is coming out of the paper drawing and connections are on the left side, otherwise it is defined left S if the air flow direction with reference to front view of the unit is entering the paper drawing.**

**Units are equipped with fans compliant to directive ERP 2009-125-EC Electrical motors are equipped with a thermal protection to be wired to an electrical panel and have IP rating, insulation class and working temperature range as per Instruction's manual available in web site stefaniexchanger.com.**

**Units operating with liquid are not full self-draining: antifreeze concentration must be made according minimum reachable temperature in installation site.**

**According to EN13487 Sound pressure level declared is calculated in free field operation above a reflecting surface (Source factor Q=2). According to ISO3744, in case of measurement if difference in the Sound pressure level when unit is on and off is lower than 6dB, the measurement itself is not considered accurate. Sound pressure level tolerance declared is +2dBA.**

### **Electric Defrost**

Optimal defrost occurs when defrosting time intervals don't allow fin spacing to be reduced by ice formation more than 25% .Electric defrost consists of special AISI 304 heaters housed internally of specifics holes in the finned coil pack : number is variable depending on type of unit model. As well commercial units have 1 heater in the drain pan while in industrial ones heaters are 2. All heaters have a 230/ single phase nominal power voltage but factory wiring predisposition is for (star connection) 400V/ 3 phase excluded little commercial units . During design /installation it is necessary to check minimum distances from wall to be sure that heaters are replaceable. Terminal box wired is placed in the technical space opposite to the connection side. Special unit at 460V-60Hz must have special heaters please contatc STEFANI SALE OFFICE.

### **Heating Element For Cowl**

Fan ring heater is a necessary option to avoid possible brine and ice layer in the internal surface that lead to possibile damage of the fan impeller and failure of the motor. Unitary heating capacity for each fan diameter are the following. D250mm-225W

Asiakas  
Puhelin  
Fax  
Sähköposti  
Päivämäärä 28.4.2021  
Projekti  
Viite  
Tarjousnumero



**Stefani S.p.A.**  
Via del Lavoro, 9  
Castegnero (VI) - ITALY  
Tel. +39 0444 639 999  
Fax. +39 0444 638 240

---

HÖYRYSTIN

Malli 1 x BOREA E 50-2 G 7,5 E 4D [RB ]

D315/350mm-300W D450mm-350W D500mm-450W D560mm 525W D630mm-580W D710mm-680W D800-500W. Nominal power voltage is 230V-1 phase, clamps are wired to a terminal board box. For different power voltage (277V suitable for 460V voltage) or special marking (UL) must be contacted STEFANI SALE OFFICE.