

Asiakas
Päivämäärä 29.4.2021
Projekti
Viite
Tarjousnumero

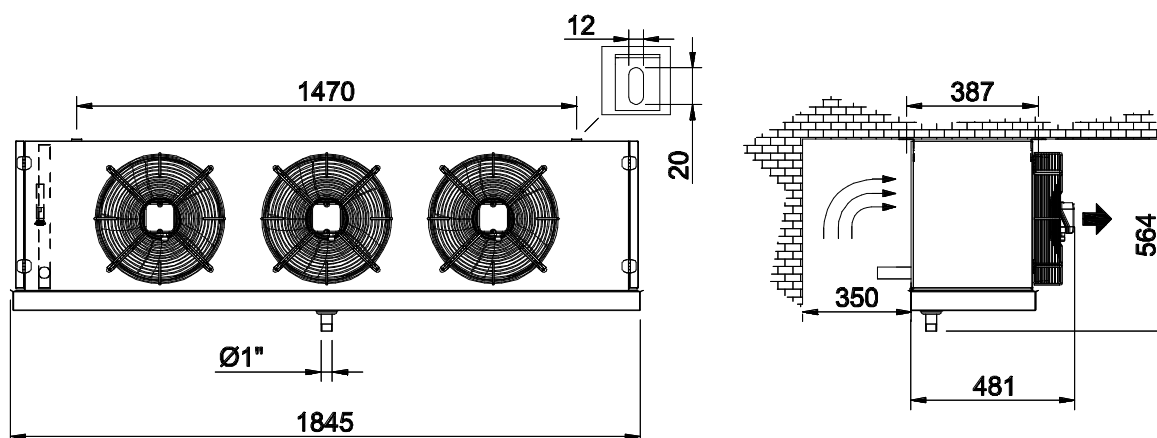


Stefani S.p.A.
Via del Lavoro, 9
Castegnero (VI) - ITALY
Tel. +39 0444 639 999
Fax. +39 0444 638 240

HÖYRYSTIN

Malli 1 x BOREA E 35-3 E 6,5 E 4S

Teho	12,4 kW	Kylmäaine	R404A
Ilman sisäänmenolämpötila	0,0 °C	Höyrystyslämpötila	Dew -8,0 °C
Ilman ulostulolämpötila	-3,8 °C	Tulistus	5 K
Suhteellinen kosteus	85 %	Lauhtumislämpötila	Dew 40,0 °C
Suhteellinen kosteus	98 %	Alijäähdytys	0 K
Q.ty of condensed water	4,2 kg/h		
Korkeus	0 m		
Ilmavirtaus	6900 m ³ /h	kierrosluku	100 %
Puhallusilman heitto	18,5 m	Puhallin nopeus	1340 1/min
Puhaltimien määrä	3	Äänentaso	74 dB(A)
Puhaltimen halkaisija	350 mm	Äänen painetaso ISO 3744	48 dB(A) at 5 m
Jännite	230 V	Ottoteho	495 W
Taajuus	50 Hz	Nimellisteho	495 W
Virtalähde	1-vaiheinen	Nimellisvirta (*)	2,19 A
Saatavilla oleva staattinen paine	0 Pa		
Pinta-ala	42,0 m ²	Putket	Kupari
Sisätilavuus	7,9 dm ³	Lamellit	Alumiini
Lamelliväli	6,5 mm	Kotelointi	Alumiini / Maalattu galvanoitu teräs
Paino	66 kg	Pituus	1845 mm
Putkiyhde, sisään	22 mm	Korkeus	564 mm
Putkiyhde, ulos	35 mm	Leveys	481 mm
		PS	30 bar
Sulatus	Sähkö	1x1,2+4x1,2=6 kW	



(*) Virrankulutus voi vaihdella riippuen ilman lämpötilasta
HUOMAUTUS

MasterUnits 2016 - v. 200408
9478E2A5F0AD688FE0000000086667DF85E

Asiakas
Puhelin
Fax
Sähköposti
Päivämäärä 29.4.2021
Projekti
Viite
Tarjousnumero



Stefani S.p.A.
Via del Lavoro, 9
Castegnero (VI) - ITALY
Tel. +39 0444 639 999
Fax. +39 0444 638 240

HÖYRYSTIN

Malli 1 x BOREA E 35-3 E 6,5 E 4S

SALES NOTE:

In case of order is required the signature for the acceptance and approval of Sales conditions

Warranty of resistance to corrosion are excluded if not specified. Materials compatibility to the ambient where the units is installed must be check by customer.

Datasheet does not indicate weights and dimensions valid for transport: weights and dimensions are not valid for installation purpose and for all the possible combination of options configuration.

As technical agreement, for all of units with horizontal air flow, it is defined right side D connection when air flow direction with reference to front view of the unit is coming out of the paper drawing and connections are on the left side, otherwise it is defined left S if the air flow direction with reference to front view of the unit is entering the paper drawing.

Units are equipped with fans compliant to directive ERP 2009-125-EC Electrical motors are equipped with a thermal protection to be wired to an electrical panel and have IP rating, insulation class and working temperature range as per Instruction's manual available in web site stefaniexchanger.com.

Units operating with liquid are not full self-draining: antifreeze concentration must be made according minimum reachable temperature in installation site.

According to EN13487 Sound pressure level declared is calculated in free field operation above a reflecting surface (Source factor Q=2). According to ISO3744, in case of measurement if difference in the Sound pressure level when unit is on and off is lower than 6dB, the measurement itself is not considered accurate. Sound pressure level tolerance declared is +2dBA.

Electric Defrost

Optimal defrost occurs when defrosting time intervals don't allow fin spacing to be reduced by ice formation more than 25% .Electric defrost consists of special AISI 304 heaters housed internally of specifics holes in the finned coil pack : number is variable depending on type of unit model. As well commercial units have 1 heater in the drain pan while in industrial ones heaters are 2. All heaters have a 230/ single phase nominal power voltage but factory wiring predisposition is for (star connection) 400V/ 3 phase excluded little commercial units . During design /installation it is necessary to check minimum distances from wall to be sure that heaters are replaceable. Terminal box wired is placed in the technical space opposite to the connection side. Special unit at 460V-60Hz must have special heaters please contatc STEFANI SALE OFFICE.