



Compressor  
Voltage Code : FZ

CAJ4476Y-FZ

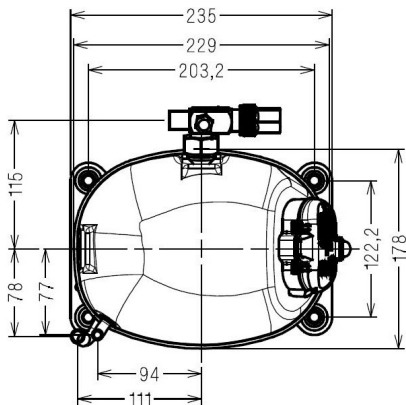
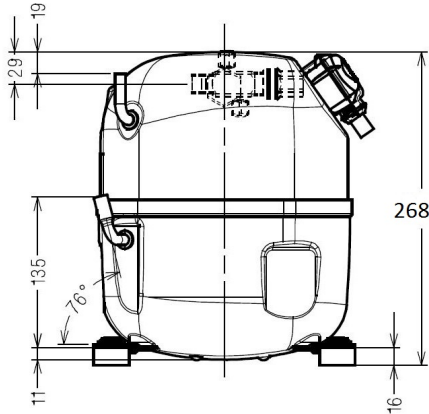
High Temp. Commercial (HP)

220 - 240V 1~ 50 Hz

R134a

AJ4476Y-FZ1B

Conditions	Frequency	Nominal Cooling Capacity		Sound Power ISO3745 / ISO 3743-1
		Watts	BTU/h	
EN12900 / R134a	50 Hz	1692	5769	57 dBA



<b>Displacement (cc)</b>	21.8
<b>Net Weight (Kg)</b>	18.5
<b>Oil Quantity (cc)</b>	475.0
<b>Oil Type</b>	Polyolester
<b>Expansion Device</b>	Capillary_Tube/Expansion_Valve
<b>Cooling</b>	Fan
<b>Main Winding (Ohm)</b>	3.6
<b>Start Winding (Ohm)</b>	14.5
<b>Current</b>	
RLA (A)	4.7
MCC (A)	6.8
LRA (A)	22.4
<b>Electrical Equipment</b>	CSIR
<b>Overload</b>	T0615
Time Check	2.8s - 5.2s / 22.5 A
Open Temp	120° C
Close Temp	61° C
Optional	MST20ALZ
<b>Start Capacitor</b>	64 µF / 330 V
<b>Potential Relay</b>	RVA4I**
Pick Up	204/233V
Drop Out	50/110V
Optional	/
<b>Refrigerating connection for OD</b>	
Suction Tube	12.7 (1/2")
Discharge Tube	6.35 (1/4")
Process Tube	6.35 (1/4")

\* EN12900 : T°Cond. 50.0°C / T°Evap. 5.0°C / T°Return gas temp.. 20.0°C  
T°Subcooling. 0.0K

Certificates :



Note : Tecumseh reserves the right to change information contained in this document without notification.



**Tecumseh**

<b>CAJ4476Y-FZ</b>	<b>Tension FZ : 220 - 240V 1~ 50 Hz</b>
--------------------	---

Les performances sont données dans les **conditions EN12900** :  
 Condition Dew  
 The performance data are in **EN12900 conditions** :  
 Dew Condition

Gaz aspirés : 20.0 °C  
 Sous refroidissement : 0.0 K  
 Return gas : 20.0 °C  
 Subcooling : 0.0 K

**50 Hz R134a**

**N°214GS-FZ**



4   T condensation	5   T évaporation	(°C)	-25	-20	-15	-10	-5	0	5	10	15
<b>30</b>	1   P frigorifique	(Watt)	476	671	903	1178	1502	1882	2322	2830	3411
	2   P absorbée	(W)	376	428	474	515	552	587	621	654	689
	3   I absorbée	(A)	3.69	3.80	3.91	4.02	4.13	4.23	4.34	4.44	4.55
<b>40</b>	1   P frigorifique	(Watt)	344	526	738	988	1280	1621	2017	2474	2997
	2   P absorbée	(W)	353	425	489	547	600	650	698	744	790
	3   I absorbée	(A)	3.51	3.69	3.87	4.04	4.22	4.40	4.57	4.74	4.92
<b>50</b>	1   P frigorifique	(Watt)		373	564	785	1043	1343	1692	2095	2559
	2   P absorbée	(W)		395	482	561	635	705	770	834	896
	3   I absorbée	(A)		3.57	3.82	4.07	4.31	4.56	4.80	5.04	5.29
<b>60</b>	1   P frigorifique	(Watt)			390	581	801	1058	1357	1704	2105
	2   P absorbée	(W)			450	556	655	747	836	921	1004
	3   I absorbée	(A)			3.77	4.09	4.40	4.72	5.03	5.34	5.66

© 2019 Tecumseh Products Company  
All rights reserved

1 = cooling capacity 2 = power input 3 = current 4 = condensing temperature 5 = evaporating temperature

**Nota : Tecumseh se réserve le droit de modifier les informations contenues dans ce document sans préavis.**

**Note : Tecumseh reserves the right to change information contained in this document without notification.**