



Compressor
Voltage Code : FZ

CAJ4517Z-FZ

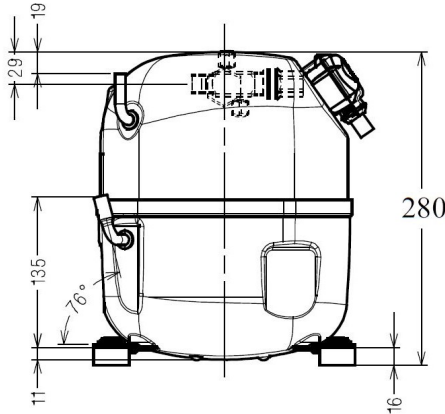
High Temp. Commercial (HP)

220 - 240V 1~ 50 Hz

R452A / R404A / R448A / R449A

AJ4517Z-FZ3C

Conditions	Frequency	Nominal Cooling Capacity		Sound Power ISO3745 / ISO 3743-1
		Watts	BTU/h	
EN12900 / R452A	50 Hz	3330	11355	64 dBA
EN12900 / R404A	50 Hz	3322	11326	64 dBA
EN12900 / R448A	50 Hz	3333	11365	64 dBA
EN12900 / R449A	50 Hz	3333	11365	64 dBA



* EN12900 : T°Cond. 50.0°C / T°Evap. 5.0°C / T°Return gas temp.. 20.0°C
T°Subcooling. 0.0K

Certificates :



Displacement (cc)	25.95
Net Weight (Kg)	21.6
Oil Quantity (cc)	475.0
Oil Type	Polyolester
Expansion Device	Capillary_Tube/Expansion_Valve
Cooling	Fan
Main Winding (Ohm)	1.7
Start Winding (Ohm)	6.8
Current	
RLA (A)	7.3
MCC (A)	12.7
LRA (A)	39
Electrical Equipment	CSR
Overload	MST00AGZ
Time Check	2.8s - 5.2s / 32.5 A
Open Temp	120° C
Close Temp	61° C
Optional	T0861
Start Capacitor	100 µF / 330 V
Run Capacitor	17.5 µF / 400 V
Potential Relay	RVA4AP**
Pick Up	300/328V
Drop Out	60/121V
Refrigerating connection for OD	
Suction Tube	15.9 (5/8")
Discharge Tube	9.5 (3/8")
Process Tube	6.35 (1/4")

Note : Tecumseh reserves the right to change information contained in this document without notification.



Tecumseh

CAJ4517Z-FZ	Tension FZ : 220 - 240V 1~ 50 Hz
--------------------	---

Les performances sont données dans les **conditions EN12900** :
 Condition Dew
 The performance data are in **EN12900 conditions** :
 Dew Condition

Gaz aspirés : 20.0 °C
 Sous refroidissement : 0.0 K
 Return gas : 20.0 °C
 Subcooling : 0.0 K

50 Hz R452A											
											N°2286
4 T condensation	5 T évaporation	(°C)	-25	-20	-15	-10	-5	0	5	10	15
30	1 P frigorifique	(Watt)	1306	1690	2145	2681	3310	4041	4885	5853	6955
	2 P absorbée	(W)	719	796	867	935	1002	1071	1143	1221	1307
	3 I absorbée	(A)	3.85	4.14	4.42	4.68	4.95	5.20	5.45	5.69	5.92
40	1 P frigorifique	(Watt)		1374	1774	2238	2775	3397	4114	4937	5876
	2 P absorbée	(W)		843	939	1029	1116	1202	1290	1381	1478
	3 I absorbée	(A)		4.41	4.82	5.22	5.61	5.99	6.37	6.74	7.10
50	1 P frigorifique	(Watt)			1395	1784	2230	2741	3330	4006	4780
	2 P absorbée	(W)			982	1100	1214	1324	1434	1545	1660
	3 I absorbée	(A)			5.00	5.53	6.05	6.56	7.07	7.58	8.08
60	1 P frigorifique	(Watt)				1322	1674	2074	2533	3062	3670
	2 P absorbée	(W)				1145	1291	1432	1569	1707	1845
	3 I absorbée	(A)				5.61	6.27	6.92	7.56	8.20	8.83

50 Hz R404A											
											N°224LT-FZ
4 T condensation	5 T évaporation	(°C)	-25	-20	-15	-10	-5	0	5	10	15
30	1 P frigorifique	(Watt)	1393	1782	2241	2779	3406	4133	4968	5923	7007
	2 P absorbée	(W)	762	840	912	980	1047	1114	1185	1261	1344
	3 I absorbée	(A)	4.08	4.37	4.64	4.91	5.16	5.41	5.65	5.87	6.09
40	1 P frigorifique	(Watt)	1098	1448	1848	2308	2839	3449	4150	4950	5860
	2 P absorbée	(W)	789	893	990	1080	1166	1251	1336	1425	1518
	3 I absorbée	(A)	4.26	4.68	5.08	5.48	5.86	6.23	6.60	6.95	7.30
50	1 P frigorifique	(Watt)		1107	1448	1830	2263	2757	3322	3967	4703
	2 P absorbée	(W)		914	1040	1158	1270	1378	1485	1592	1702
	3 I absorbée	(A)		4.77	5.30	5.82	6.33	6.83	7.33	7.81	8.28
60	1 P frigorifique	(Watt)			1044	1347	1682	2059	2488	2978	3539
	2 P absorbée	(W)			1059	1211	1355	1493	1626	1758	1890
	3 I absorbée	(A)			5.29	5.94	6.58	7.21	7.83	8.44	9.04

1 = cooling capacity 2 = power input 3 = current 4 = condensing temperature 5 = evaporating temperature

Nota : Tecumseh se réserve le droit de modifier les informations contenues dans ce document sans préavis.
Note : Tecumseh reserves the right to change information contained in this document without notification.

© 2019 Tecumseh Products Company
All rights reserved



Tecumseh

CAJ4517Z-FZ	Tension FZ : 220 - 240V 1~ 50 Hz
--------------------	---

Les performances sont données dans les **conditions EN12900** :
 Condition Dew
 The performance data are in **EN12900 conditions** :
 Dew Condition

Gaz aspirés : 20.0 °C
 Sous refroidissement : 0.0 K
 Return gas : 20.0 °C
 Subcooling : 0.0 K

© 2019 Tecumseh Products Company
 All rights reserved

50 Hz R448A (*)

N°2888

4 T condensation	5 T évaporation	(°C)	-25	-20	-15	-10	-5	0	5	10	15
30	1 P frigorifique	(Watt)	1150	1526	1973	2502	3126	3856	4704	5683	6803
	2 P absorbée	(W)	671	741	808	874	939	1006	1075	1149	1229
	3 I absorbée	(A)	3.59	3.85	4.12	4.38	4.63	4.88	5.12	5.35	5.57
40	1 P frigorifique	(Watt)		1247	1645	2109	2651	3283	4018	4867	5841
	2 P absorbée	(W)		791	881	966	1050	1133	1217	1303	1393
	3 I absorbée	(A)		4.14	4.52	4.90	5.27	5.64	6.01	6.36	6.70
50	1 P frigorifique	(Watt)			1313	1713	2175	2711	3333	4053	4882
	2 P absorbée	(W)			927	1041	1151	1259	1365	1472	1581
	3 I absorbée	(A)			4.72	5.23	5.74	6.24	6.73	7.22	7.69
60	1 P frigorifique	(Watt)				1324	1706	2147	2657	3250	3935
	2 P absorbée	(W)				1089	1234	1374	1511	1647	1783
	3 I absorbée	(A)				5.34	5.99	6.64	7.28	7.91	8.53

50 Hz R449A (*)

N°2282

4 T condensation	5 T évaporation	(°C)	-25	-20	-15	-10	-5	0	5	10	15
30	1 P frigorifique	(Watt)	1150	1526	1973	2502	3126	3856	4704	5683	6803
	2 P absorbée	(W)	671	741	808	874	939	1006	1075	1149	1229
	3 I absorbée	(A)	3.59	3.85	4.12	4.38	4.63	4.88	5.12	5.35	5.57
40	1 P frigorifique	(Watt)		1247	1645	2109	2651	3283	4018	4867	5841
	2 P absorbée	(W)		791	881	966	1050	1133	1217	1303	1393
	3 I absorbée	(A)		4.14	4.52	4.90	5.27	5.64	6.01	6.36	6.70
50	1 P frigorifique	(Watt)			1313	1713	2175	2711	3333	4053	4882
	2 P absorbée	(W)			927	1041	1151	1259	1365	1472	1581
	3 I absorbée	(A)			4.72	5.23	5.74	6.24	6.73	7.22	7.69
60	1 P frigorifique	(Watt)				1324	1706	2147	2657	3250	3935
	2 P absorbée	(W)				1089	1234	1374	1511	1647	1783
	3 I absorbée	(A)				5.34	5.99	6.64	7.28	7.91	8.53

1 = cooling capacity 2 = power input 3 = current 4 = condensing temperature 5 = evaporating temperature

(*) Veuillez vous référer strictement aux Recommandations d'Utilisation et Bulletins Marketing Tecumseh du fait de la température de reflux élevée pour les applications LBP.

(*) Due to very high discharge temperature especially on LBP conditions, please strictly refer to Tecumseh Guidelines & Marketing Bulletin when using this refrigerant.

Nota : Tecumseh se réserve le droit de modifier les informations contenues dans ce document sans préavis.

Note : Tecumseh reserves the right to change information contained in this document without notification.