



Condensing unit  
Voltage Code : FZ

# CAJN2440ZBR-FZ

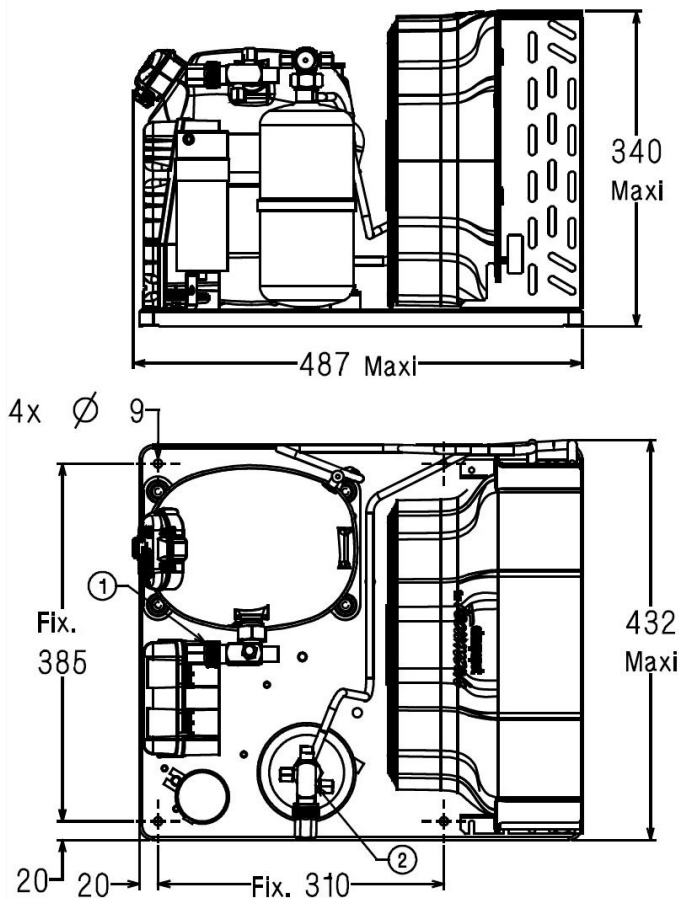
Low Temp. Commercial (BP)

220 - 240V 1~ 50 Hz

R452A / R404A / R448A / R449A

CAJN2440ZBR-FZ

| Conditions      | Frequency | Nominal Cooling Capacity |       | Sound Power<br>ISO3745 / ISO 3743-1 |
|-----------------|-----------|--------------------------|-------|-------------------------------------|
|                 |           | Watts                    | BTU/h |                                     |
| EN13215 / R452A | 50 Hz     | 473                      | 1613  | 58 dBA                              |
| EN13215 / R404A | 50 Hz     | 529                      | 1805  | 58 dBA                              |
| EN13215 / R448A | 50 Hz     | 375                      | 1279  | 61 dBA                              |
| EN13215 / R449A | 50 Hz     | 375                      | 1280  | 61 dBA                              |



\* EN13215 : T°Ambient 32.0°C / T°Evap. -35.0°C / T°Return gas temp.. 20.0°C  
T°Subcooling. 3.0K

|                         |                  |
|-------------------------|------------------|
| <b>Net Weight (Kg)</b>  | 32.0             |
| <b>Expansion device</b> | Expansion_Valve  |
| <b>Air Flow (m³/h)</b>  | 900              |
| <b>Compo Data Sheet</b> | 124HT-FZ         |
| <b>Elec Comp Type</b>   | CSR              |
| <b>Current (Amp)</b>    |                  |
| Load Rated Amp          | 3.2              |
| Max Cont Current        | 5.8              |
| Lock Rotor Amp          | 27               |
| <b>Fan</b>              |                  |
| Speed (rpm)             | 1200             |
| Power (W)               | 30.0             |
| Diameter (mm)           | 300              |
| Protection              | Overload         |
| IP Level                | IP54             |
| <b>Condenser</b>        | M300/3900        |
| <b>Liquid Receiver</b>  |                  |
| Capacity (L)            | 1.5              |
| Maximum Pressure (Bars) | 32.0             |
| <b>Suction Line</b>     |                  |
| Suction Type            | Vanne Orientable |
| For Tubing Out Diam     | 12.7 (1/2")      |
| Suction Connection Type | Brased           |
| <b>Liquid Line</b>      |                  |
| Liquid Line Type        | Vanne Orientable |
| For Tubing Out Diam     | 9.5 (3/8")       |
| Liquid Connecton Type   | Brased           |
| <b>Connection Type</b>  | VR               |
| <b>Fan Guard</b>        | maille < à 8mm   |

Note : Tecumseh reserves the right to change information contained in this document without notification.



**Tecumseh**

|                       |   |
|-----------------------|---|
| <b>CAJN2440ZBR-FZ</b> | <b>Tension FZ : 220 - 240V 1~ 50 Hz</b> |
|-----------------------|---|

|  |                        |         |
|--|------------------------|---------|
| Les performances sont données dans les <b>conditions EN13215</b> : | Gaz aspirés :          | 20.0 °C |
| Condition Dew  | Sous refroidissement : | 3.0 K   |
| The performance data are in <b>EN13215 conditions</b> :            | Return gas :           | 20.0 °C |
| Dew Condition  | Subcooling :           | 3.0 K   |

© 2019 Tecumseh Products Company  
All rights reserved

### 50 Hz R452A

**N°6713**

| 5   T ambience | 6   T évaporation  | (°C)   | <b>-40</b> | <b>-35</b> | <b>-30</b> | <b>-25</b> | <b>-20</b> | <b>-15</b> | <b>-10</b> |
|----------------|--------------------|--------|------------|------------|------------|------------|------------|------------|------------|
| <b>25</b>      | 1   P frigorifique | (Watt) | 396        | 554        | 740        | 952        | 1191       | 1456       | 1746       |
|                | 2   P absorbée     | (W)    | 425        | 488        | 556        | 631        | 717        | 816        | 930        |
|                | 3   I absorbée     | (A)    | 2.03       | 2.30       | 2.60       | 2.95       | 3.34       | 3.78       | 4.28       |
|                | 4   Tc             | (°C)   | 27.0       | 27.9       | 29.3       | 31.2       | 33.4       | 35.9       | 38.7       |
| <b>32</b>      | 1   P frigorifique | (Watt) | 327        | 473        | 644        | 840        | 1060       | 1305       | 1574       |
|                | 2   P absorbée     | (W)    | 412        | 483        | 559        | 641        | 734        | 839        | 960        |
|                | 3   I absorbée     | (A)    | 1.98       | 2.29       | 2.63       | 3.01       | 3.42       | 3.89       | 4.40       |
|                | 4   Tc             | (°C)   | 33.8       | 34.4       | 35.6       | 37.2       | 39.2       | 41.6       | 44.1       |
| <b>43</b>      | 1   P frigorifique | (Watt) | 226        | 352        | 499        | 669        | 860        | 1075       | 1313       |
|                | 2   P absorbée     | (W)    | 379        | 463        | 551        | 646        | 751        | 868        | 1000       |
|                | 3   I absorbée     | (A)    | 1.85       | 2.23       | 2.63       | 3.05       | 3.51       | 4.01       | 4.55       |
|                | 4   Tc             | (°C)   | 44.4       | 44.7       | 45.5       | 46.7       | 48.4       | 50.4       | 52.7       |

### 50 Hz R404A

**N°6621**

| 5   T ambience | 6   T évaporation  | (°C)   | <b>-40</b> | <b>-35</b> | <b>-30</b> | <b>-25</b> | <b>-20</b> | <b>-15</b> | <b>-10</b> |
|----------------|--------------------|--------|------------|------------|------------|------------|------------|------------|------------|
| <b>25</b>      | 1   P frigorifique | (Watt) | 452        | 617        | 810        | 1029       | 1273       | 1539       | 1824       |
|                | 2   P absorbée     | (W)    | 456        | 523        | 595        | 674        | 761        | 861        | 975        |
|                | 3   I absorbée     | (A)    | 2.17       | 2.45       | 2.77       | 3.13       | 3.53       | 3.98       | 4.48       |
|                | 4   Tc             | (°C)   | 28.9       | 30.3       | 32.0       | 33.9       | 36.1       | 38.5       | 41.2       |
| <b>32</b>      | 1   P frigorifique | (Watt) | 379        | 529        | 705        | 905        | 1128       | 1372       | 1633       |
|                | 2   P absorbée     | (W)    | 448        | 522        | 600        | 686        | 780        | 887        | 1008       |
|                | 3   I absorbée     | (A)    | 2.14       | 2.46       | 2.81       | 3.20       | 3.63       | 4.10       | 4.62       |
|                | 4   Tc             | (°C)   | 35.3       | 36.6       | 38.1       | 39.9       | 41.9       | 44.2       | 46.7       |
| <b>43</b>      | 1   P frigorifique | (Watt) | 272        | 401        | 550        | 720        | 910        | 1119       | 1344       |
|                | 2   P absorbée     | (W)    | 424        | 508        | 597        | 694        | 801        | 921        | 1055       |
|                | 3   I absorbée     | (A)    | 2.05       | 2.43       | 2.83       | 3.27       | 3.74       | 4.25       | 4.80       |
|                | 4   Tc             | (°C)   | 45.5       | 46.5       | 47.8       | 49.3       | 51.1       | 53.1       | 55.3       |

1 = cooling capacity 2 = power input 3 = current 4 = condensing temperature 5 = ambient temperature 6 = evaporating temperature

**Nota : Tecumseh se réserve le droit de modifier les informations contenues dans ce document sans préavis.**

**Note : Tecumseh reserves the right to change information contained in this document without notification.**



**Tecumseh**

|                       |   |
|-----------------------|---|
| <b>CAJN2440ZBR-FZ</b> | <b>Tension FZ : 220 - 240V 1~ 50 Hz</b> |
|-----------------------|---|

|  |                        |         |
|--|------------------------|---------|
| Les performances sont données dans les <b>conditions EN13215</b> : | Gaz aspirés :          | 20.0 °C |
| Condition Dew  | Sous refroidissement : | 3.0 K   |
| The performance data are in <b>EN13215 conditions</b> :            | Return gas :           | 20.0 °C |
| Dew Condition  | Subcooling :           | 3.0 K   |

| <b>50 Hz R448A (*)</b> |                    |        |            |            |            |            |               |
|------------------------|--------------------|--------|------------|------------|------------|------------|---------------|
|                        |                    |        |            |            |            |            | <b>N°7030</b> |
| 5   T ambience         | 6   T évaporation  | (°C)   | <b>-30</b> | <b>-25</b> | <b>-20</b> | <b>-15</b> | <b>-10</b>    |
| <b>25</b>              | 1   P frigorifique | (Watt) | 617        | 826        | 1068       | 1344       | 1651          |
|                        | 2   P absorbée     | (W)    | 527        | 603        | 687        | 781        | 889           |
|                        | 3   I absorbée     | (A)    | 2.48       | 2.82       | 3.20       | 3.62       | 4.09          |
|                        | 4   Tc             | (°C)   | 30.4       | 32.0       | 34.0       | 36.2       | 38.8          |
| <b>32</b>              | 1   P frigorifique | (Watt) | 535        | 727        | 952        | 1209       | 1498          |
|                        | 2   P absorbée     | (W)    | 531        | 613        | 704        | 805        | 919           |
|                        | 3   I absorbée     | (A)    | 2.51       | 2.88       | 3.29       | 3.73       | 4.21          |
|                        | 4   Tc             | (°C)   | 36.7       | 38.3       | 40.1       | 42.1       | 44.5          |
| <b>43</b>              | 1   P frigorifique | (Watt) | 420        | 587        | 785        | 1015       | 1278          |
|                        | 2   P absorbée     | (W)    | 526        | 621        | 723        | 836        | 963           |
|                        | 3   I absorbée     | (A)    | 2.51       | 2.93       | 3.38       | 3.87       | 4.38          |
|                        | 4   Tc             | (°C)   | 46.7       | 48.0       | 49.6       | 51.4       | 53.5          |

| <b>50 Hz R449A (*)</b> |                    |        |            |            |            |            |               |
|------------------------|--------------------|--------|------------|------------|------------|------------|---------------|
|                        |                    |        |            |            |            |            | <b>N°6790</b> |
| 5   T ambience         | 6   T évaporation  | (°C)   | <b>-30</b> | <b>-25</b> | <b>-20</b> | <b>-15</b> | <b>-10</b>    |
| <b>25</b>              | 1   P frigorifique | (Watt) | 617        | 826        | 1069       | 1345       | 1652          |
|                        | 2   P absorbée     | (W)    | 527        | 603        | 687        | 781        | 889           |
|                        | 3   I absorbée     | (A)    | 2.48       | 2.82       | 3.20       | 3.62       | 4.09          |
|                        | 4   Tc             | (°C)   | 30.4       | 32.1       | 34.0       | 36.2       | 38.8          |
| <b>32</b>              | 1   P frigorifique | (Watt) | 536        | 728        | 952        | 1209       | 1499          |
|                        | 2   P absorbée     | (W)    | 531        | 613        | 704        | 805        | 919           |
|                        | 3   I absorbée     | (A)    | 2.51       | 2.88       | 3.29       | 3.73       | 4.21          |
|                        | 4   Tc             | (°C)   | 36.7       | 38.3       | 40.0       | 42.1       | 44.5          |
| <b>43</b>              | 1   P frigorifique | (Watt) | 420        | 587        | 785        | 1016       | 1279          |
|                        | 2   P absorbée     | (W)    | 526        | 621        | 723        | 836        | 963           |
|                        | 3   I absorbée     | (A)    | 2.51       | 2.93       | 3.38       | 3.87       | 4.38          |
|                        | 4   Tc             | (°C)   | 46.6       | 48.0       | 49.6       | 51.4       | 53.4          |

**1 = cooling capacity 2 = power input 3 = current 4 = condensing temperature 5 = ambient temperature 6 = evaporating temperature**

(\*) Veuillez vous référer strictement aux Recommandations d'Utilisation et Bulletins Marketing Tecumseh du fait de la température de reflux élevée pour les applications LBP.  
 (\*) Due to very high discharge temperature especially on LBP conditions, please strictly refer to Tecumseh Guidelines & Marketing Bulletin when using this refrigerant.

**Nota : Tecumseh se réserve le droit de modifier les informations contenues dans ce document sans préavis.**

**Note : Tecumseh reserves the right to change information contained in this document without notification.**

© 2019 Tecumseh Products Company  
All rights reserved