

FE2owlet

for three phase alternating current, 6-6 pole

FNO45-SD



Description

Motor technology: AC
 Rated voltage U_N : 3- 400 V (Δ/Y) ± 10 %*
 Rated frequency f_N : 50 Hz* (60Hz data available)
 Input power P_i : 180/100 W*
 Rated current I_N : 0.50/0.24 A*
 Rated speed n_N : 900/ 630 min^{-1} *
 Starting current I_s : 1.10 / 0.32 A
 Current increase ΔI : 0 %
 Thermal class: THCL155*
 Min. permitted ambient temperature $t_{R(\text{min})}$: -40 °C ***
 Max. permitted ambient temperature $t_{R(\text{max})}$: 70 °C

Electrical connection: Terminal box
 Number of blades: 7
 Protection class: IP54
 Motor protection: thermal contact
 Blades: Aluminium, uncoated
 Rotor: Aluminium, uncoated
 Conformity: ErP 2015, CE

ErP-data

Efficiency η_{statA} : 29.0 %
 Efficiency: $N_{\text{actual}} = 40.0 / N_{\text{target}} = 40$ **

* Rated data

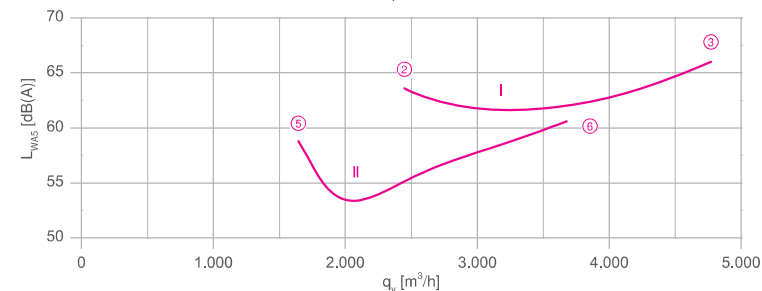
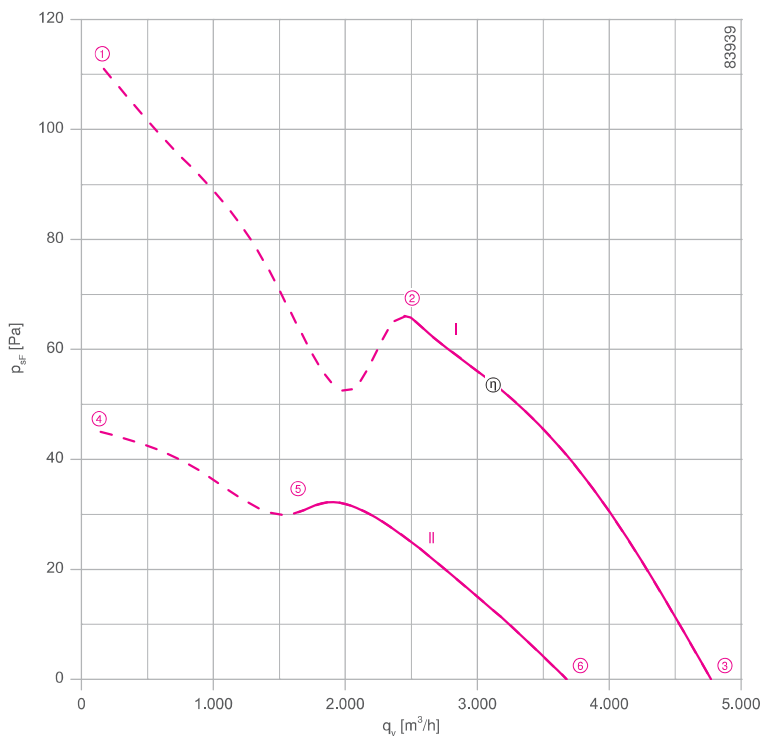
**ErP 2015

*** Continuous operation with occasional starts (S1) according to DIN EN 60034-1:2011-02. Occasional starting between -40 °C and -25 °C is permissible. Continuous operation below -25 °C only with special bearings for refrigeration applications on request.

Connection diagram Page 531
 for airflow direction A 1360-108XB
 for airflow direction V 1360-108XA

System components Page 430

Characteristic curve

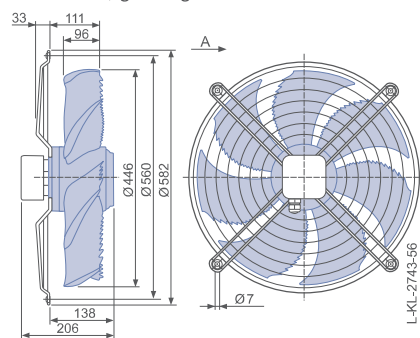


Measured in full bell mouth without guard grille in installation type A according to ISO 5801

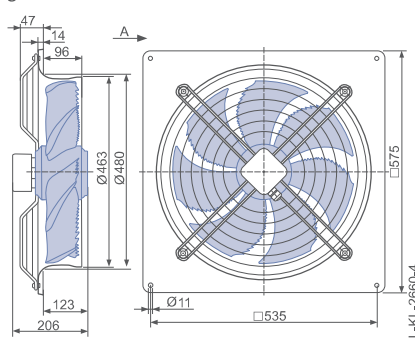
Dimensions mm

Airflow direction A

Design D - axial bolted, suspension for full bell mouth, guard grille suction side

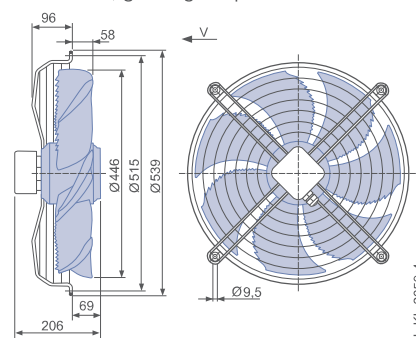


Design Q - square full bell mouth, guard grille suction side



Airflow direction V

Design K - axial bolted, mounted for short bell mouth, guard grille pressure side



Performance data

Type	Connection	Characteristic curve	Voltage	Operating point	Current	Input power	Speed	Suction side sound power level L_{WA5} dB(A)
			U V					
FN045-SD_4F_7P1	Δ	I	400	①	0.56	220	860	
			400*	②	0.50*	180*	900*	64
			400	③	0.46	150	920	66
	Y	II	400	④	0.27	110	550	
			400*	⑤	0.24*	100*	630*	59
			400	⑥	0.24	95	710	61

*rated data

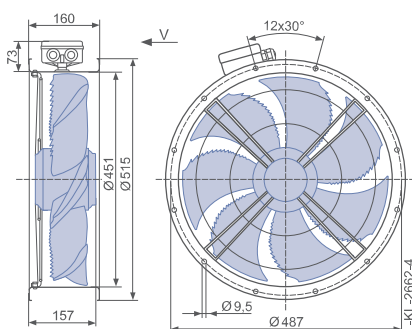
Fan ordering information

Design	Airflow direction A			Airflow direction V		
	D (guard grille suction side)	Q (guard grille suction side)	K (guard grille pressure side)	F (without guard grille)	F (guard grille pressure side)	Q (guard grille pressure side)
Type	FN045-SDD.4F.A7P1	FN045-SDQ.4F.A7P1	FN045-SDK.4F.V7P1	FN045-SDF.4F.V7P1	FN045-SDF.4F.V7P1	FN045-SDQ.4F.V7P1
Article no.	155139	140108	140112	140120	140540	140116
Weight kg	10.70	14.60	11.00	14.20	14.50	14.40

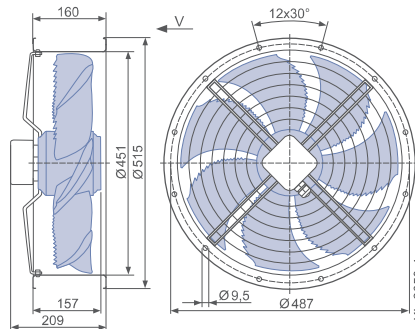
Control technology

Frequency inverters Fcontrol 3~	Motor protection units 3~	Electronic voltage controllers 3~
Page 480	Page 518	Page 506

Design F - flange ring with two flanges, without guard grille



Design F - flange ring with two flanges, guard grille pressure side



Design Q - square full bell mouth, guard grille pressure side

