

220-240V 50 1~**GENERAL DATA****Application:** L/MBP**Refrigerant:** R134a**Evaporating Temperature Range:** -35°C to 5°C**Compressor Cooling:** Static**Type:** Hermetic reciprocating**Technology Type:** On-Off**Expansion Device:** Capillary Tube**Packing Quantity:** Single - 1 pc**Displacement:** 4.53 cm³**Horse power:** 1.8 hpApprovals:   **MECHANICAL DATA****Bore:** 19 mm**Stroke:** 16 mm**Oil Charge:** 150ml +/-15ml**Free Internal Volume:** 1.5 cm³**Maximum Recommended Refrigerant Charge:** 250 g**Oil Type Configuration:** Polyolester**Oil Type Viscosity:** ISO10**Compressor pressurization:** Light vacuum**Weight:** 7.8 kg**ELECTRICAL DATA****Motor Type:** RSIR**Starting Torque:** LST**Voltage working range at 50 Hz:** 198-254 V**Maximum Motor Temperature:** 130 °C**Start Winding Resistance:** 16.55 Ω (± 10%) at 25°C**Run Winding Resistance:** 25 Ω (± 10%) at 25°C**Locked Rotor Amperage (LRA):** 5 A**MOUNTING ACCESSORIES**

	Description	Code
Terminal Board:	no	-
Overload Protector Bracket:	no	-
Capacitor Bracket:	no	-
Washer:	no	-
Pin:	no	-
Clip:	no	-
Rotolock valve:	no	-
Cover:	yes	2075282
Anchorage:	yes	1027058
Grommets:	yes	2221011
Sleeves:	yes	2222018

ELECTRICAL COMPONENTS

	Component type	Description	Code
Starting Device:	PTC	PTC 230V	1260011
Motor Protection:	External 3/4"	AE64FS8	2288503

EXTERNAL CHARACTERISTICS**Base Plate:** European**Tray Holder:** Yes**Height:** 171 mm

	Internal Diameter (mm)	Material	Shape
Suction Connector	6.1	Copper	Slanted 42°
Discharge Connector	4.9	Copper	Straight
Process Connector	6.1	Copper	Slanted 46°



RATED POINT DATA

Cooling Capacity (W)	Power Consumption (W)	Current Consumption (A)	Gas Flow Rate (kg/h)	Efficiency (W/W)
±5%	±5%	±5%	±5%	±7%
127	92	0.64	2.46	1.37

Test condition: ASHRAE, Static, Return Gas 32.2°C, Evaporating: -23.3°C, Condensing: 54°C, Ambient: 32.2°C, Liquid: 32.2°C

PERFORMANCE CURVE DATA

220V 50Hz

Condensing Temperature (°C)	Evaporating Temperature (°C)	Cooling Capacity (W)	Power Consumption (W)	Current Consumption (A)	Gas Flow Rate (kg/h)	Efficiency (W/W)
		±5%	±5%	±5%	±5%	±7%
35°C	5	524	137	0.80	10.38	3.82
	0	438	128	0.76	8.63	3.42
	-5	360	119	0.73	7.06	3.03
	-10	290	110	0.70	5.67	2.65
	-15	229	100	0.67	4.46	2.29
	-20	177	91	0.64	3.43	1.95
	-25	133	81	0.61	2.58	1.64
	-30	98	71	0.59	1.90	1.38
	-35	73	61	0.56	1.40	1.19

Condensing Temperature (°C)	Evaporating Temperature (°C)	Cooling Capacity (W)	Power Consumption (W)	Current Consumption (A)	Gas Flow Rate (kg/h)	Efficiency (W/W)
		±5%	±5%	±5%	±5%	±7%
45°C	5	502	174	0.93	9.96	2.88
	0	419	158	0.87	8.26	2.65
	-5	343	142	0.81	6.73	2.41
	-10	275	127	0.76	5.38	2.17
	-15	216	113	0.71	4.21	1.92
	-20	165	99	0.67	3.21	1.67
	-25	123	86	0.63	2.39	1.44
	-30	90	73	0.60	1.74	1.23
	-35	66	61	0.57	1.27	1.07

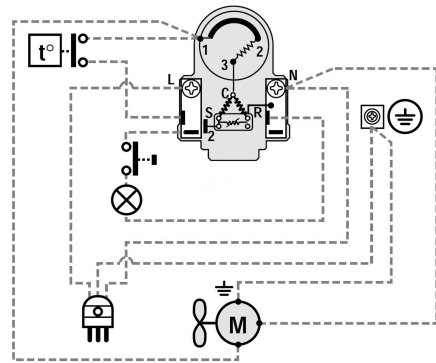
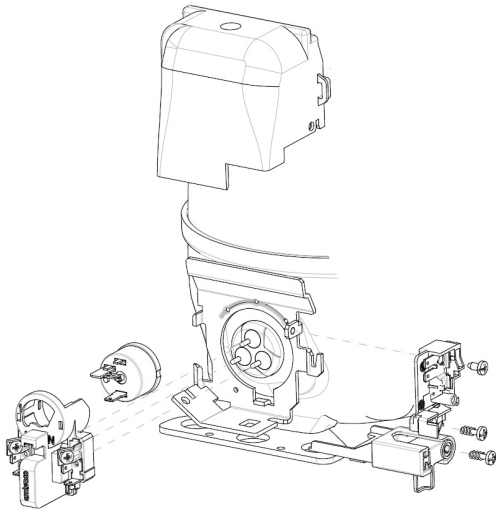
Condensing Temperature (°C)	Evaporating Temperature (°C)	Cooling Capacity (W)	Power Consumption (W)	Current Consumption (A)	Gas Flow Rate (kg/h)	Efficiency (W/W)
		±5%	±5%	±5%	±5%	±7%
55°C	5	480	200	1.03	9.52	2.40
	0	399	177	0.94	7.87	2.25
	-5	325	156	0.86	6.38	2.08
	-10	260	137	0.79	5.08	1.89

Condensing Temperature (°C)	Evaporating Temperature (°C)	Cooling Capacity (W)	Power Consumption (W)	Current Consumption (A)	Gas Flow Rate (kg/h)	Efficiency (W/W)
		±5%	±5%	±5%	±5%	±7%
55°C	-15	202	119	0.73	3.94	1.70
	-20	153	103	0.67	2.98	1.49
	-25	113	87	0.63	2.18	1.29

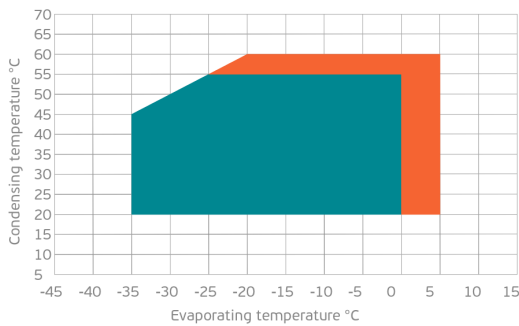
Test condition: ASHRAE, Static, Return Gas 32.2°C, Ambient: 32.2°C, Liquid: 32.2°C

ASSEMBLY INSTRUCTION

WIRING DIAGRAM

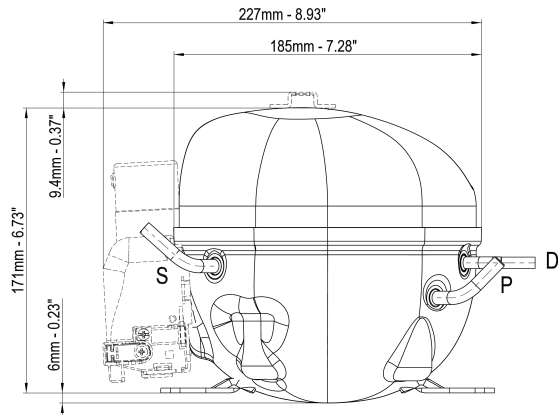


OPERATING ENVELOPE



- Operating Condition
- Transient Condition
- Superheating

NOTE: usage of compressors outside of intended working range cannot make use of the warranty, or should be consulted with Technical support.



	∅ mm	∅ in	Material
S - Suction	6.10 - 6.20	0.24	Cu
P - Process	6.10 - 6.20	0.24	Cu
D - Discharge	4.90 - 5.02	0.19	Cu

