



Condensing unit
Voltage Code : XG

FHT4518YHR-XG

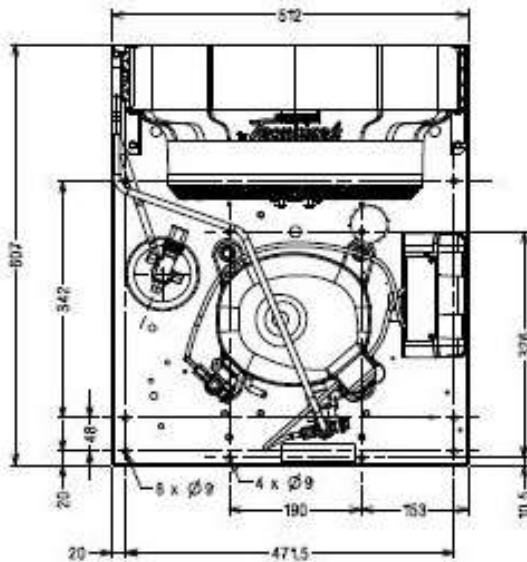
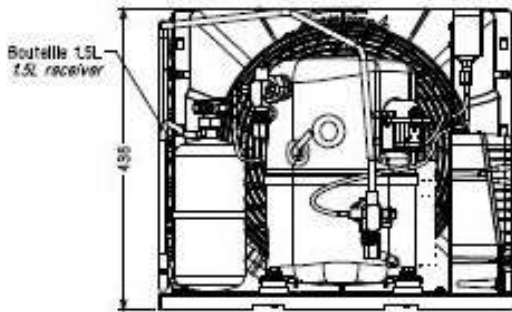
High Temp. Commercial (HP)

380-420V 3~ 50Hz / 460V 3~ 60 Hz

R134a

FHT4518YHR-XG

Operating conditions : Customized... / 50 Hz / Dew		Sound Power ISO3745 / ISO 3743-1
Evaporating Temp. : -10.0 °C Superheat : 2.44 K Return gas temp. : 4.44 °C Ambient : 45.0 °C Subcooling : -0.33 K	Refrig. Capacity : 1431 Watt Power Input : 1058 Watt Amps : 2.16 A C.O.P : 1.35 Watt/W	73 dBA



Net Weight (Kg)	46.0
Expansion device	Expansion_Valve
Air Flow (m³/h)	1650 / 1730
Elec Comp Type	TRI
Current (Amp)	
Load Rated Amp	3
Max Cont Current	5.3
Lock Rotor Amp	18
Fan	
Speed (rpm)	1335 / 1500
Power (W)	90.0
Diameter (mm)	350
Protection	Overload
IP Level	IP44
Condenser	M350/9100
Liquid Receiver	
Capacity (L)	1.5
Maximum Pressure (Bars)	32.0
Suction Line	
Suction Type	Vanne Orientable
For Tubing Out Diam	15.9 (5/8")
Suction Connection Type	Brased
Liquid Line	
Liquid Line Type	Vanne Orientable
For Tubing Out Diam	9.5 (3/8")
Liquid Connecton Type	Brased
Connection Type	VR
Fan Guard	maille < à 8mm

Note : Tecumseh reserves the right to change information contained in this document without notification.



Tecumseh

FHT4518YHR-XG	Tension XG : 380-420V 3~ 50Hz / 460V 3~ 60 Hz
----------------------	--

Les performances sont données dans les conditions EN13215 :	Gaz aspirés :	20.0 °C
Condition Dew	Sous refroidissement :	3.0 K
The performance data are in EN13215 conditions :	Return gas :	20.0 °C
Dew Condition	Subcooling :	3.0 K

50 Hz R134a

N°User-333

5 T ambience	6 T évaporation	(°C)	-25	-20	-15	-10	-5	0	5	10	15
25	1 P frigorifique	(Watt)	1077	1498	1995	2567	3215	3935	4719	5557	6436
	2 P absorbée	(W)	672	774	872	972	1075	1187	1311	1454	1619
	3 I absorbée	(A)	1.56	1.70	1.84	1.98	2.14	2.31	2.50	2.72	2.97
	4 Tc	(°C)	29.7	31.0	32.5	34.2	36.1	38.2	40.6	43.4	46.4
32	1 P frigorifique	(Watt)	886	1275	1727	2248	2838	3496	4220	5002	5835
	2 P absorbée	(W)	656	773	889	1006	1127	1255	1395	1552	1729
	3 I absorbée	(A)	1.53	1.71	1.90	2.09	2.28	2.49	2.71	2.95	3.22
	4 Tc	(°C)	36.2	37.6	39.1	40.7	42.5	44.5	46.7	49.2	51.8
43	1 P frigorifique	(Watt)			1354	1805	2314	2883	3516	4211	4966
	2 P absorbée	(W)			903	1049	1200	1358	1526	1708	1907
	3 I absorbée	(A)			1.90	2.16	2.42	2.69	2.97	3.26	3.56
	4 Tc	(°C)			49.5	51.1	52.8	54.5	56.4	58.4	60.5

© 2021 Tecumseh Products Company
All rights reserved

1 = cooling capacity 2 = power input 3 = current 4 = condensing temperature 5 = ambient temperature 6 = evaporating temperature

Nota : Tecumseh se réserve le droit de modifier les informations contenues dans ce document sans préavis.

Note : Tecumseh reserves the right to change information contained in this document without notification.