

FE2owlet

for single phase alternating current, 4 pole

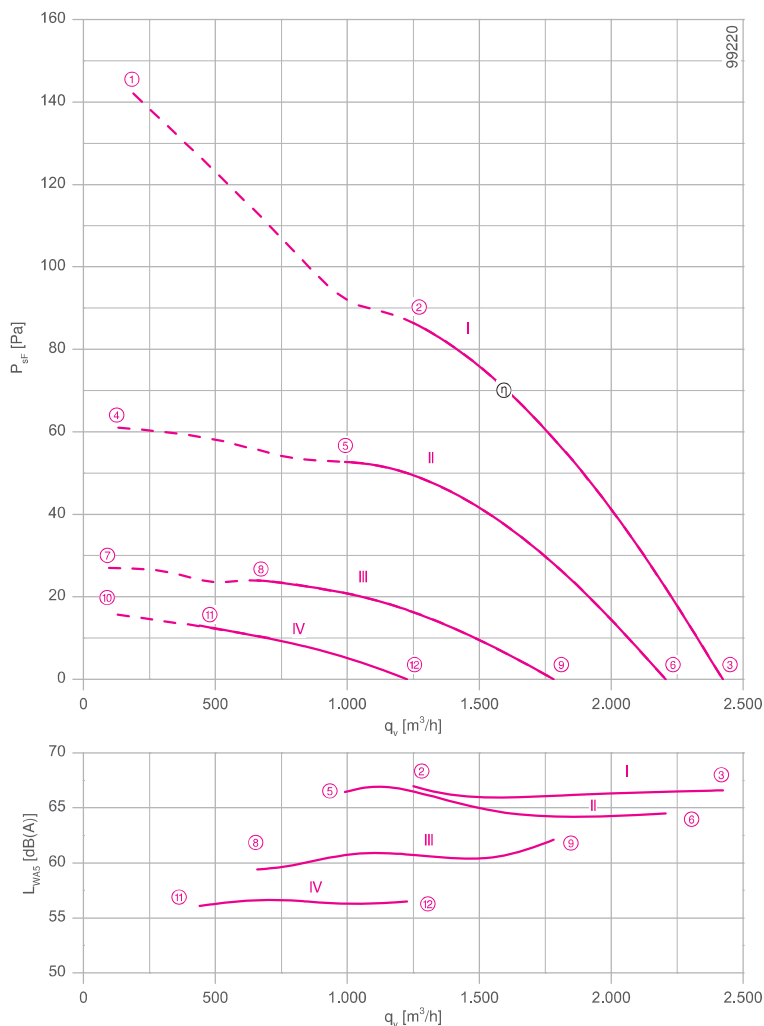
FNO31-4E



Description

Motor technology: AC
 Rated voltage U_N : 1~ 230 V*
 Rated frequency f_N : 50 Hz* (60Hz data available)
 Input power P_i : 0.12 kW*
 Rated current I_N : 0.54 A*
 Rated speed n_N : 1330 min⁻¹*
 Starting current I_A : 1.00 A
 Current increase ΔI : 0 %
 Service capacitor C_{400V} : 5.0 μ F
 Thermal class: THCL155*
 Min. permitted ambient temperature $t_{R(min)}$: -40 °C***
 Max. permitted ambient temperature $t_{R(max)}$: 70 °C
 Electrical connection: Supply cable variable 45 cm
 Number of blades: 7
 Motor protection: thermal contact
 Blades: High Performance Composite Material, uncoated, black
 Rotor: Aluminium, 1 coat paint, ultramarine blue
 Conformity: CE
ErP-data
 Not subject to the regulations of ErP directive ($P_i < 125$ W)
 * Rated data
 *** Continuous operation with occasional starts (S1) according to DIN EN 60034-1:2011-02. Occasional starting between -40 °C and -25 °C is permissible. Continuous operation below -25 °C only with special bearings for refrigeration applications on request.

Characteristic curve



Measured in full bell mouth without guard grille in installation type A according to ISO 5801

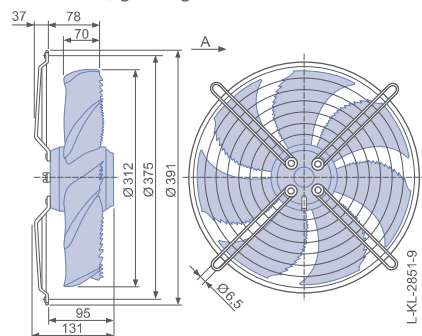
Connection diagram Page 532
1360-177X

System components Page 430

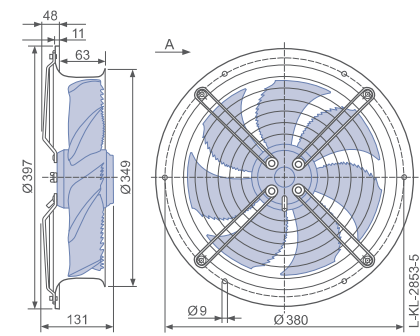
Dimensions mm

Airflow direction A

Design D - axial bolted, suspension for full bell mouth, guard grille suction side

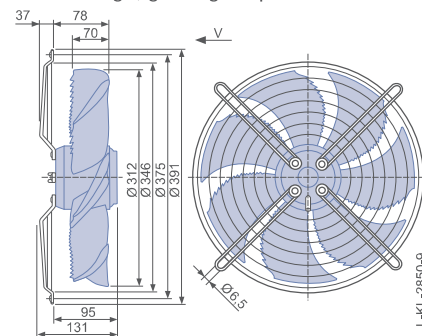


Design L - round full bell mouth, guard grille suction side



Airflow direction V

Design I - axial bolted, mounting for bell mouth flange, guard grille pressure side







Performance data

Type	Characteristic curve	Voltage	Operating point	Current	Input power	Speed	Suction side sound power level L_{WA5} dB(A)
		U V		I A	P_1 W	n min ⁻¹	
FN031-4E_WD_7	I	230	①	0.64	140	1250	
		230*	②	0.54*	120*	1330*	67
		230	③	0.44	100	1400	66
	II	170	④	0.62	100	860	
		170	⑤	0.56	95	1070	66
		170	⑥	0.44	75	1290	65
	III	135	⑦	0.52	70	580	
		135	⑧	0.50	70	720	59
		135	⑨	0.44	60	1050	62
	IV	110	⑩	0.42	46	450	
		110	⑪	0.42	46	520	56
		110	⑫	0.42	44	720	57

*rated data

Fan ordering information

	Airflow direction A	Airflow direction V		
Design	D (guard grille suction side)	L (guard grille suction side)	I (guard grille pressure side)	H (guard grille pressure side)
				
Type	FN031-4ED.WD.A7	FN031-4EL.WD.A7	FN031-4EI.WD.V7	FN031-4EH.WD.V7
Article no.	161640	161641	161637	161638
Weight kg	4.30	5.80	4.30	5.80

Control technology

Frequency inverters Fcontrol 1~	Motor protection units 1~	Electronic voltage controllers 1~
		
Page 474	Page 518	Page 492

Design H - pipe sockets with a flange,
guard grille pressure side

