

FE2owlet

for single phase alternating current, 4 pole

FNO40-4E



Description

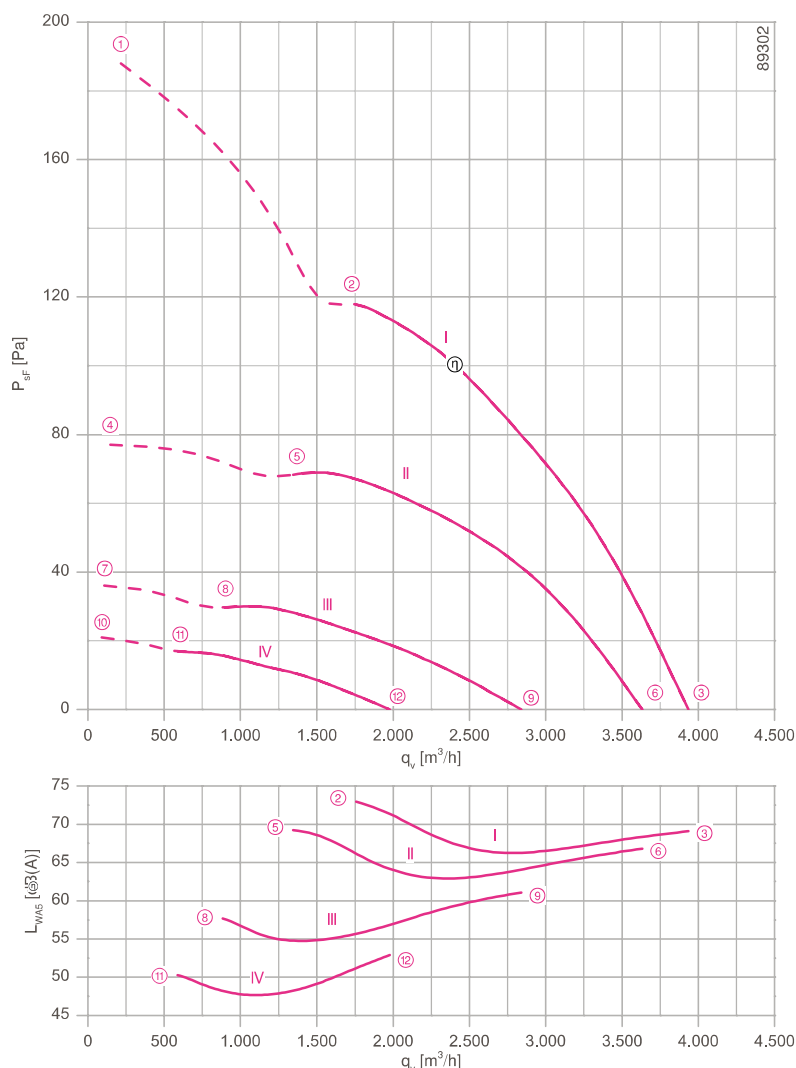
Motor technology: AC
 Rated voltage U_N : 1~ 230 V±10 %*
 Rated frequency f_N : 50 Hz* (60Hz data available)
 Motor input power P_1 : 0.24 kW*
 Rated current I_N : 1.05 A*
 Rated speed n_N : 1340 min⁻¹*
 Starting current I_s : 2.40 A
 Current increase ΔI : 15 %
 Service capacitor C_{400V} : 5.0 µF
 Thermal class: THCL155*
 Min. permitted conveyor temperature $t_{R(min)}$: -25 °C
 Max. permitted conveyor temperature $t_{R(max)}$: 65 °C
 Electrical connection: Terminal box
 Number of blades: 7
 Protection class: IP54
 Motor protection: Thermal contact
 Blades: High Performance Composite Material, uncoated, black
 Rotor: Aluminium, 1 coat paint, black
 Conformity: ErP 2015, CE

ErP Data

Efficiency η_{statA} : 31.1 %
 Efficiency: $\eta_{actual} = 41.3 / N_{target} = 40^{**}$
 * Rated data
 **ErP 2015

- Connection diagrams Page 608
 - for airflow direction V 1360-104XA
 - for airflow direction A 1360-104XB
- System components Page 524

Characteristic curve

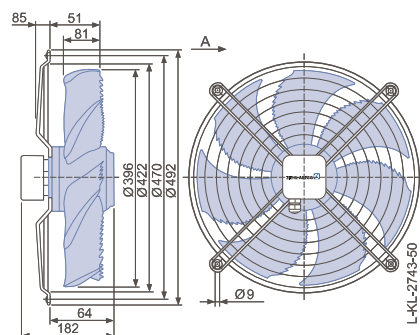


Measured in full bell mouth without guard grille in installation type A according to ISO 5801.

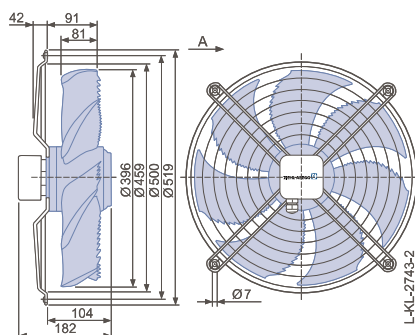
Dimensions [mm]

Airflow direction A

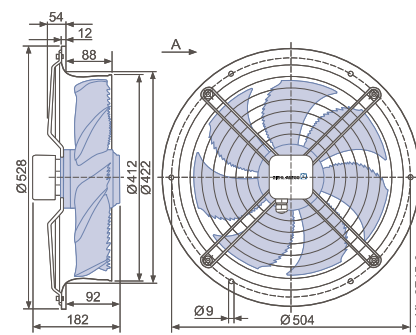
Design W - axial bolted, mounting for short bell mouth E



Design D - axial bolted, suspension for full bell mouth Q and L



Design L - round, full bell mouth









Performance data

Type	Characteristic curve	Voltage	Operating point	Current	Motor input power	Speed	Suction side sound power level
		U [V]		I [A]	P ₁ [W]	n [min ⁻¹]	
FN040-4E_OF_7P1	I	230	①	1.30	300	1260	
		230*	②	1.05*	240*	1340*	73
		230	③	0.80	180	1410	69
	II	170	④	1.35	220	810	
		170	⑤	1.20	200	1030	69
		170	⑥	0.86	150	1310	67
	III	135	⑦	1.10	150	550	
		135	⑧	1.10	140	690	57
		135	⑨	0.96	130	1020	61
	IV	110	⑩	0.94	100	430	
		110	⑪	0.92	95	510	50
		110	⑫	0.88	95	710	53

*rated data

Fan ordering information

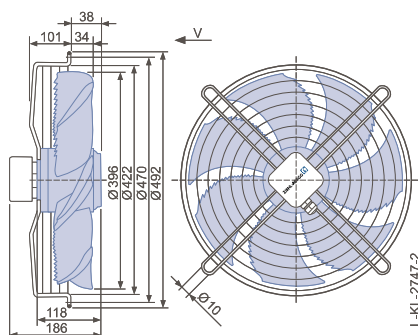
Airflow direction A				Airflow direction V			
Design	W	D	L	K	H	I	
							
Type	FN040-4EW.0F.A7P1	FN040-4ED.0F.A7P1	FN040-4EL.0F.A7P1	FN040-4EK.0F.V7P1	FN040-4EH.0F.V7P1	FN040-4EI.0F.V7P1	
Article no.	156650	152722	152723	152728	152727	152726	
Weight [kg]	5.60	5.10	7.80	5.50	7.80	5.10	

Control technology

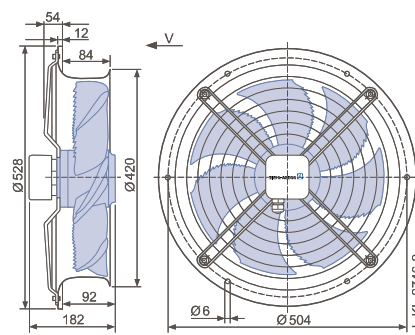
<p>Frequency inverter Fcontrol 1~</p>  <p>➤ Page 552</p>	<p>Motor protection units 1~</p>  <p>➤ Page 596</p>	<p>Transformer-based controllers 1~</p>  <p>➤ Page 587</p>	<p>Electronic voltage controllers 1~</p>  <p>➤ Page 562</p>
---	--	---	--

Airflow direction V

Design K - axial bolted, mounted for short bell mouth E



Design H - pipe sockets with a flange



Design I - axial bolted, mounting for bell mouth flange for pipe socket H or full bell mouth Q or L

