

# FE2owlet

for single phase alternating current, 6 pole

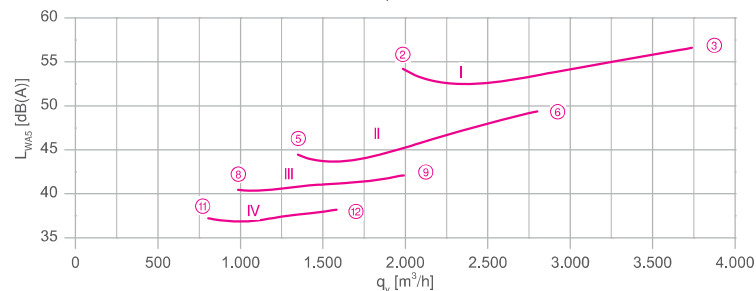
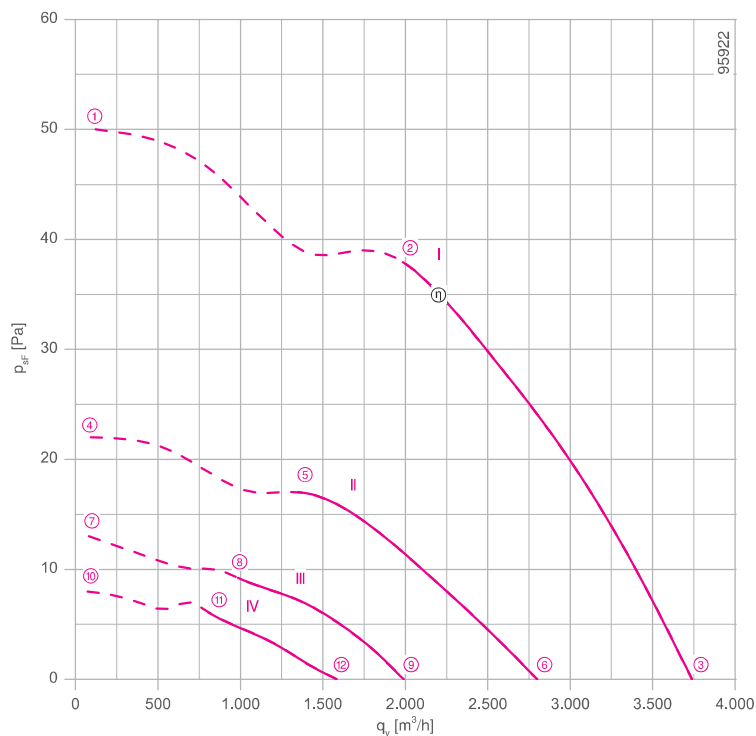
FNO45-6E



## Description

Motor technology: AC  
 Rated voltage  $U_N$ : 1~ 230 V $\pm$ 10 %\*  
 Rated frequency  $f_N$ : 50 Hz\* (60Hz data available)  
 Input power  $P_i$ : 120 W\*  
 Rated current  $I_N$ : 0.50 A\*  
 Rated speed  $n_N$ : 700 min<sup>-1</sup>\*  
 Starting current  $I_s$ : 0.65 A  
 Current increase  $\Delta I$ : 0 %  
 Service capacitor  $C_{400V}$ : 3.0  $\mu$ F  
 Thermal class: **THCL155\***  
 Min. permitted ambient temperature  $t_{R(min)}$ : -25 °C  
 Max. permitted ambient temperature  $t_{R(max)}$ : 70 °C  
 Electrical connection: Terminal box  
 Number of blades: 7  
 Protection class: IP54  
 Motor protection: thermal contact  
 Blades: High Performance Composite Material, uncoated, black  
 Rotor: Aluminium, 1 coat paint, jet black  
 Conformity: CE  
**ErP-data**  
 Not subject to the regulations of ErP directive ( $P_i < 125$  W)  
 \* Rated data

## Characteristic curve



Measured in full bell mouth without guard grille in installation type A according to ISO 5801

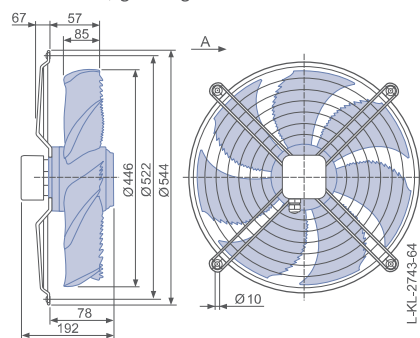
Connection diagram Page 531  
 for airflow direction A 1360-104XB  
 for airflow direction V 1360-104XA

System components Page 430

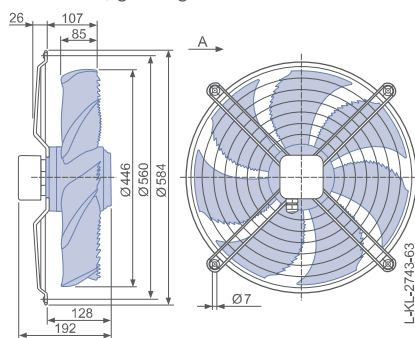
## Dimensions mm

### Airflow direction A

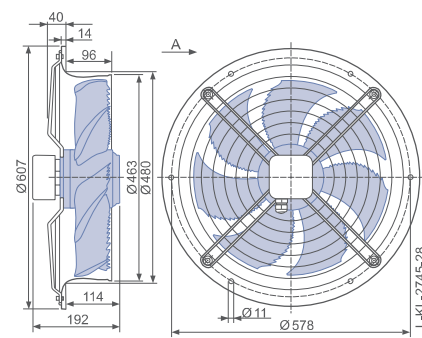
Design W - axial bolted, mounting for short bell mouth, guard grille suction side



Design D - axial bolted, suspension for full bell mouth, guard grille suction side



Design L - round full bell mouth, guard grille suction side



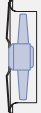





Performance data

Type	Characteristic curve	Voltage	Operating point	Current	Input power	Speed	Suction side sound power level
		U V		I A	P <sub>1</sub> W	n min <sup>-1</sup>	L <sub>WA5</sub> dB(A)
FN045-6E_2F_7P3	I	230	①	0.56	130	570	
		230*	②	0.50*	120*	700*	54
		230	③	0.46	100	790	57
	II	170	④	0.44	75	380	
		170	⑤	0.42	75	480	45
		170	⑥	0.40	70	590	49
	III	135	⑦	0.35	48	280	
		135	⑧	0.35	46	350	40
		135	⑨	0.34	46	430	42
	IV	110	⑩	0.29	32	220	
		110	⑪	0.29	32	270	37
		110	⑫	0.29	32	330	38

\*rated data

Fan ordering information

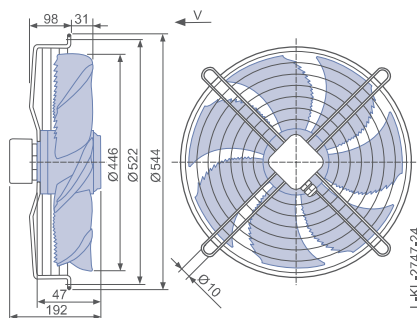
	Airflow direction A			Airflow direction V		
Design	W (guard grille suction side)	D (guard grille suction side)	L (guard grille suction side)	K (guard grille pressure side)	I (guard grille pressure side)	H (guard grille pressure side)
						
<b>Type Article no.</b>	<b>FN045-6EW.2F.A7P3 160038</b>	<b>FN045-6ED.2F.A7P3 160036</b>	<b>FN045-6EL.2F.A7P3 160037</b>	<b>FN045-6EK.2F.V7P3 160042</b>	<b>FN045-6EI.2F.V7P3 160040</b>	<b>FN045-6EH.2F.V7P3 160041</b>
Weight kg	6.30	6.10	9.50	6.50	6.10	9.50

Control technology

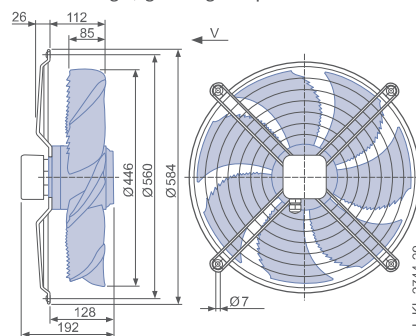
<p>Frequency inverters Control 1~</p>  <p>Page 474</p>	<p>Motor protection units 1~</p>  <p>Page 518</p>	<p>Electronic voltage controllers 1~</p>  <p>Page 492</p>
-----------------------------------------------------------------------------------------------------------------------------------------------	------------------------------------------------------------------------------------------------------------------------------------------	--------------------------------------------------------------------------------------------------------------------------------------------------

Airflow direction V

Design K - axial bolted, mounted for short bell mouth, guard grille pressure side



Design I - axial bolted, mounting for bell mouth flange, guard grille pressure side



Design H - pipe sockets with a flange, guard grille pressure side

