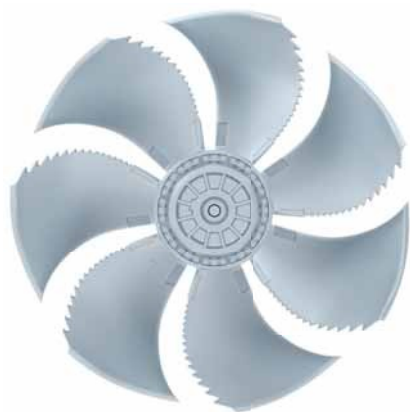


FE2owlet

for three phase alternating current, 6-6 pole

FN050-SD



Description

Motor technology: AC
 Rated voltage U_N : 3- 400 V (Δ/Y) ± 10 %*
 Rated frequency f_N : 50 Hz* (60Hz data available)
 Input power P_i : 290/150 W*
 Rated current I_N : 0.74/0.36 A*
 Rated speed n_N : 880/ 590 min^{-1} *
 Starting current I_s : 1.50 / 0.40 A
 Current increase ΔI : 0 %
 Thermal class: THCL155*
 Min. permitted ambient temperature $t_{R(\text{min})}$: -40 °C***
 Max. permitted ambient temperature $t_{R(\text{max})}$: 70 °C
 Electrical connection: Terminal box
 Number of blades: 7
 Protection class: IP54
 Motor protection: thermal contact
 Blades: Aluminium, uncoated
 Rotor: Aluminium, uncoated
 Conformity: ErP 2015, CE

ErP-data

Efficiency η_{statA} : 30.1 %
 Efficiency: $N_{\text{actual}} = 40.2 / N_{\text{target}} = 40$ **

* Rated data

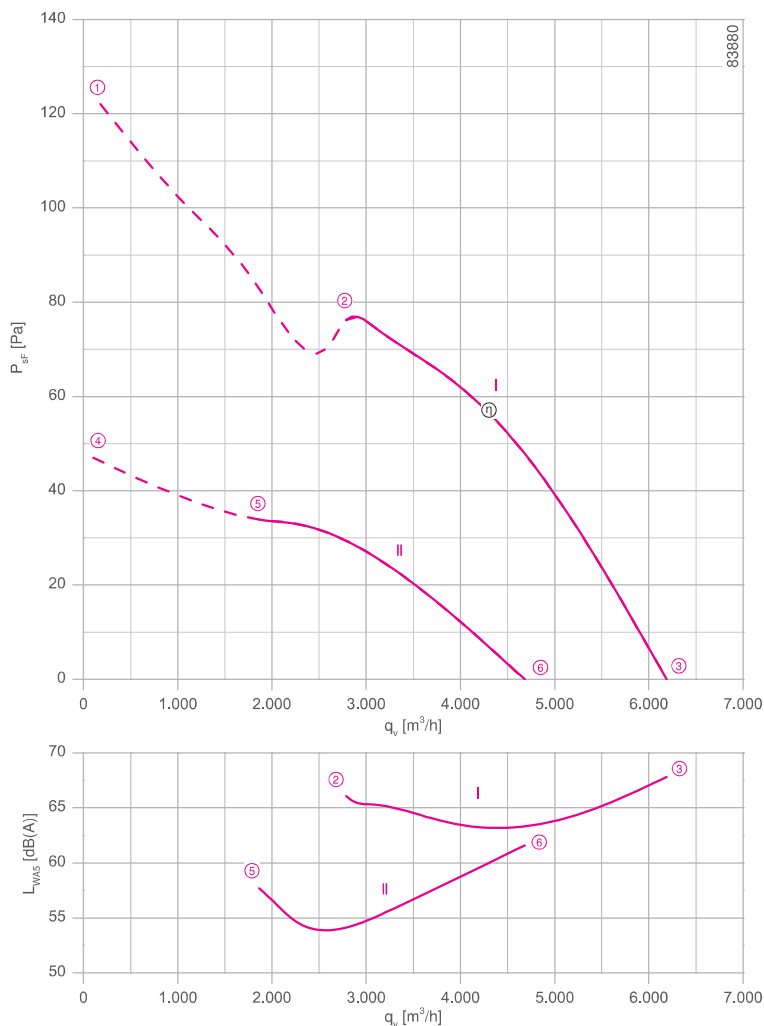
**ErP 2015

*** Continuous operation with occasional starts (S1) according to DIN EN 60034-1:2011-02. Occasional starting between -40 °C and -25 °C is permissible. Continuous operation below -25 °C only with special bearings for refrigeration applications on request.

Connection diagram Page 531
 for airflow direction A 1360-108XB
 for airflow direction V 1360-108XA

System components Page 430

Characteristic curve

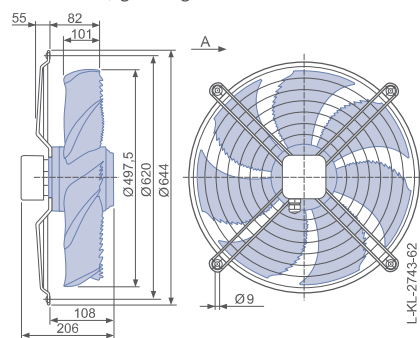


Measured in full bell mouth without guard grille in installation type A according to ISO 5801

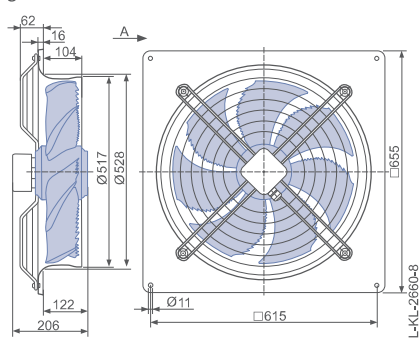
Dimensions mm

Airflow direction A

Design W - axial bolted, mounting for short bell mouth, guard grille suction side

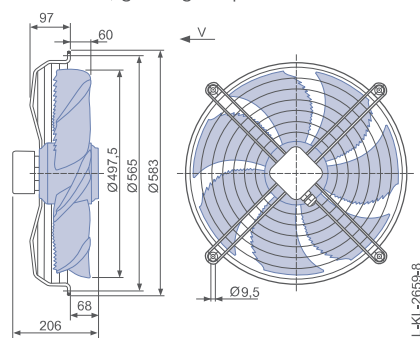


Design Q - square full bell mouth, guard grille suction side



Airflow direction V

Design K - axial bolted, mounted for short bell mouth, guard grille pressure side



Performance data

Type	Connection	Characteristic curve	Voltage	Operating point	Current	Input power	Speed	Suction side sound power level L_{WA5} dB(A)
			U V					
FN050-SD_4F_7P1	Δ	I	400	①	0.82	350	830	
			400*	②	0.74*	290*	880*	66
			400	③	0.66	230	920	68
	Y	II	400	④	0.38	160	510	
			400*	⑤	0.36*	150*	590*	58
			400	⑥	0.33	140	700	62

*rated data

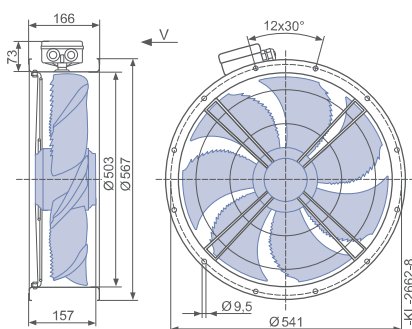
Fan ordering information

Design	Airflow direction A			Airflow direction V		
	W (guard grille suction side)	Q (guard grille suction side)	K (guard grille pressure side)	F (without guard grille)	F (guard grille pressure side)	Q (guard grille pressure side)
Type	FN050-SDW.4F.A7P1	FN050-SDQ.4F.A7P1	FN050-SDK.4F.V7P1	FN050-SDF.4F.V7P1	FN050-SDF.4F.V7P1	FN050-SDQ.4F.V7P1
Article no.	155656	140085	140058	140069	140075	140063
Weight kg	11.70	18.60	11.80	15.30	16.00	16.30

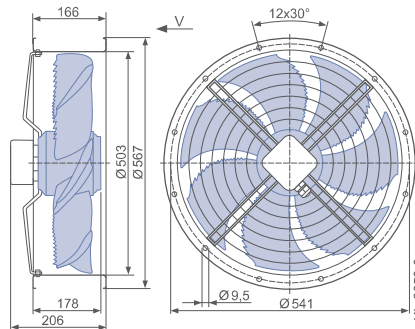
Control technology

Frequency inverters Fcontrol 3~	Motor protection units 3~	Electronic voltage controllers 3~
Page 480	Page 518	Page 506

Design F - flange ring with two flanges, without guard grille



Design F - flange ring with two flanges, guard grille pressure side



Design Q - square full bell mouth, guard grille pressure side

