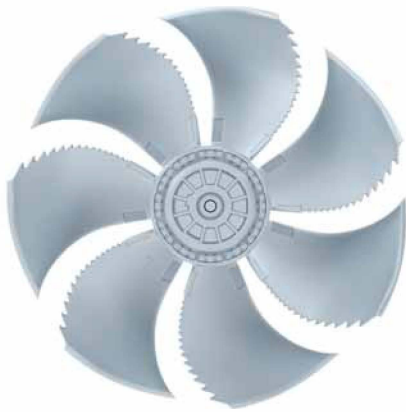


FE2owlet

for three phase alternating current, 4-4 pole

FN050-VD



Description

Motor technology: AC
 Rated voltage U_N : 3- 400 V (Δ/Y) ± 10 %*
 Rated frequency f_N : 50 Hz*
 Input power P_i : 0.84/0.54 kW*
 Rated current I_N : 1.45/0.96 A*
 Rated speed n_N : 1340/ 940 min^{-1} *
 Starting current I_s : 5.00 / 1.60 A
 Current increase ΔI : 15 %
 Thermal class: THCL155*
 Min. permitted ambient temperature $t_{R(\text{min})}$: -40 °C***
 Max. permitted ambient temperature $t_{R(\text{max})}$: 70 °C

Electrical connection: Terminal box
 Number of blades: 7
 Protection class: IP54
 Motor protection: thermal contact
 Blades: Aluminium, uncoated
 Rotor: Aluminium, uncoated
 Conformity: ErP 2015, CE

ErP-data

Efficiency η_{statA} : 34.2 %
 Efficiency: $N_{\text{actual}} = 41.3 / N_{\text{target}} = 40$ **

* Rated data

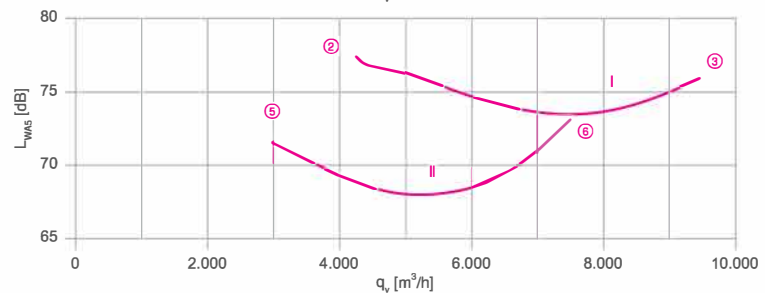
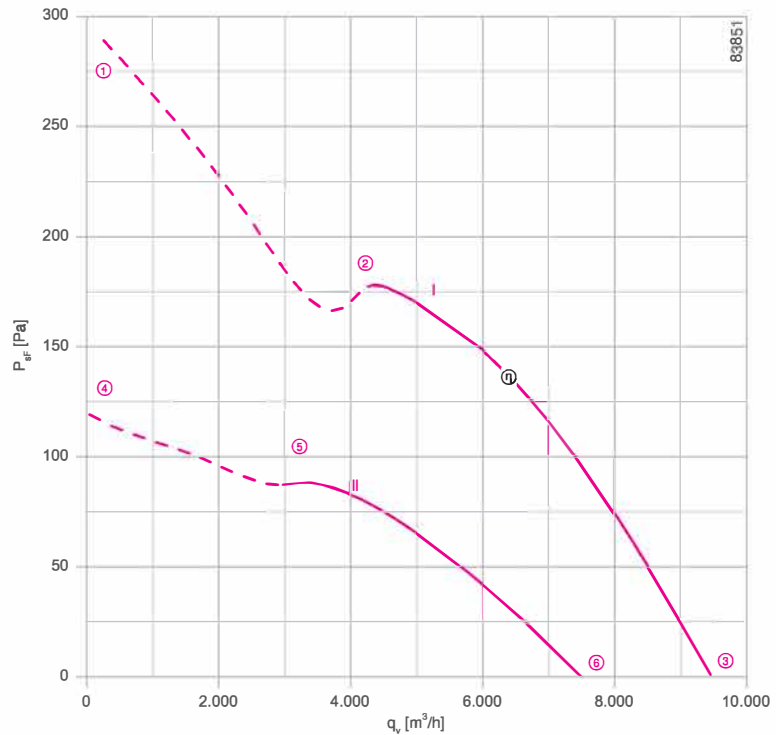
**ErP 2015

*** Continuous operation with occasional starts (S1) according to DIN EN 60034-1:2011-02. Occasional starting between -40 °C and -25 °C is permissible. Continuous operation below -25 °C only with special bearings for refrigeration applications on request.

Connection diagram Page 531
 for airflow direction A 1360-108XB
 for airflow direction V 1360-108XA

System components Page 430

Characteristic curve

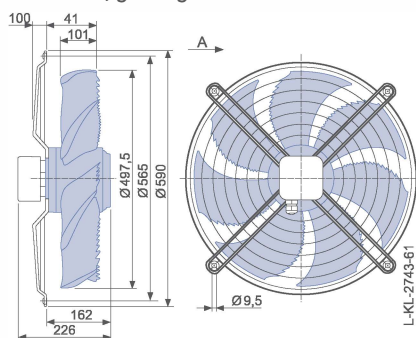


Measured in full bell mouth without guard grille in installation type A according to ISO 5801

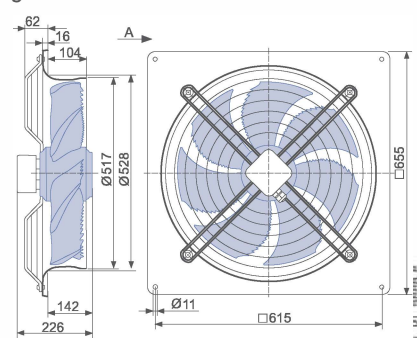
Dimensions mm

Airflow direction A

Design W - axial bolted, mounting for short bell mouth, guard grille suction side

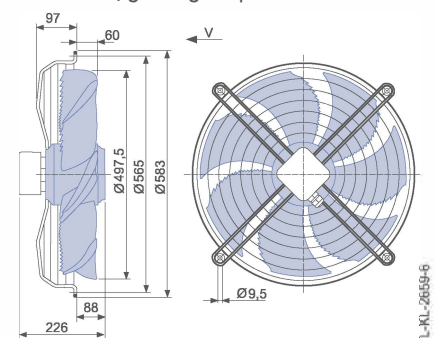


Design Q - square full bell mouth, guard grille suction side



Airflow direction V

Design K - axial bolted, mounted for short bell mouth, guard grille pressure side



Performance data

Type	Connection	Characteristic curve	Voltage	Operating point	Current	Input power	Speed	Suction side sound power level L_{WA5} dB(A)
			U V					
FN050-VD_4I_7P1	Δ	I	400	①	1.75	1050	1280	
			400*	②	1.45*	840*	1340*	78
			400	③	1.15	620	1390	76
	Y	II	400	④	1.05	580	800	
			400*	⑤	0.96*	540*	940*	72
			400	⑥	0.82	480	1110	73

*rated data

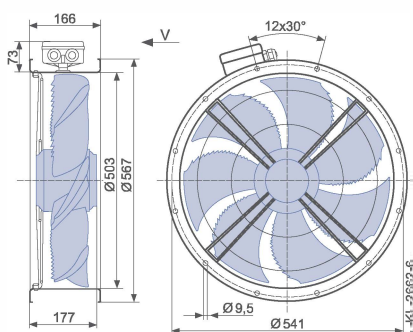
Fan ordering information

Design	Airflow direction A			Airflow direction V		
	W (guard grille suction side)	Q (guard grille suction side)	K (guard grille pressure side)	F (without guard grille)	F (guard grille pressure side)	Q (guard grille pressure side)
Type	FN050-VDW.4I.A7P1	FN050-VDQ.4I.A7P1	FN050-VDK.4I.V7P1	FN050-VDF.4I.V7P1	FN050-VDF.4I.V7P1	FN050-VDQ.4I.V7P1
Article no.	156556	140083	140056	140067	140073	140322
Weight kg	13.80	20.10	13.30	16.80	17.50	18.30

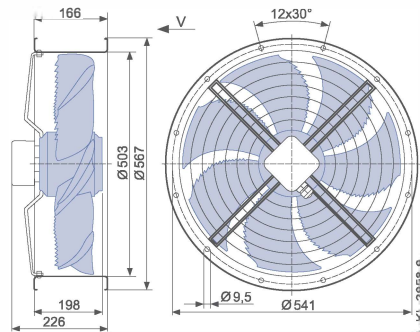
Control technology

<p>Frequency inverters Fcontrol 3~</p> <p>Page 480</p>	<p>Motor protection units 3~</p> <p>Page 518</p>	<p>Electronic voltage controllers 3~</p> <p>Page 506</p>
--	--	--

Design F - flange ring with two flanges, without guard grille



Design F - flange ring with two flanges, guard grille pressure side



Design Q - square full bell mouth, guard grille pressure side

