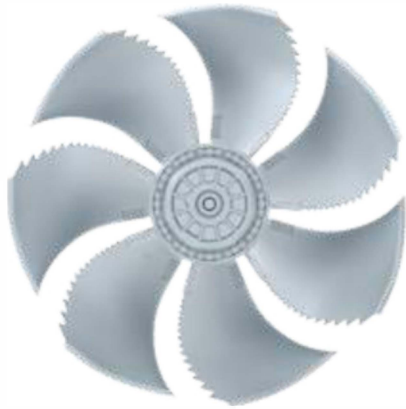


FE2owlet

for three phase alternating current, 4-4 pole

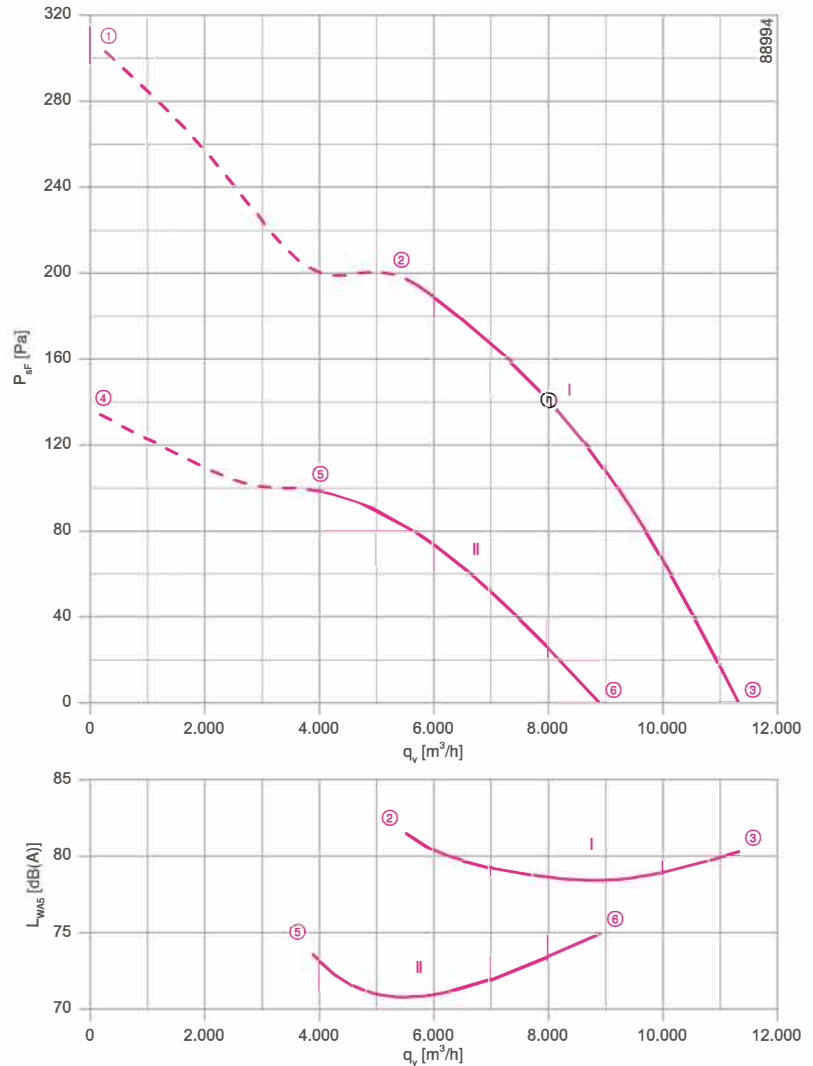
FN056-VD



Description

Motor technology: AC
 Rated voltage U_N : 3~ 400 V (Δ/Y) ± 10 %*
 Rated frequency f_N : 50 Hz* (60Hz data available)
 Motor input power P_1 : 1.05/0.58 kW*
 Rated current I_N : 2.20/1.10 A*
 Rated speed n_N : 1280/910 min⁻¹*
 Starting current I_s : 7.00 A / 2.00 A
 Current increase ΔI : 0 %
 Thermal class: THCL155*
 Min. permitted conveyor temperature $t_{R(min)}$: -40 °C
 Max. permitted conveyor temperature $t_{R(max)}$: 70 °C
 Electrical connection: Terminal box
 Number of blades: 7
 Protection class: IP54
 Motor protection: Thermal contact
 Blades: Aluminium, uncoated
 Rotor: Aluminium, uncoated
 Conformity: ErP 2015, CE
ErP Data
 Efficiency η_{statA} : 33.7 %
 Efficiency: $N_{actual} = 40.1 / N_{target} = 40$ **
 * Rated data
 **ErP 2015

Characteristic curve



Measured in full bell mouth without guard grille in installation type A according to ISO 5801.

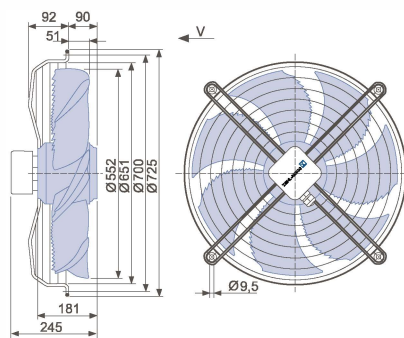
➤ Connection diagram 1360-108XA Page 608

➤ System components Page 524

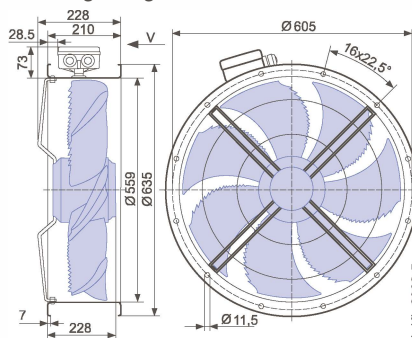
Dimensions [mm]

← Airflow direction V

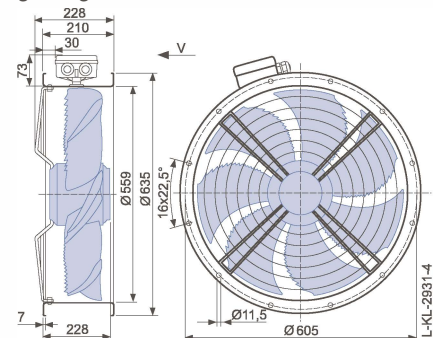
Design K - axial bolted, mounted for short bell mouth E



Design F - flange ring with two flanges without guard grille



Design F - flange ring with two flanges and guard grille




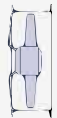
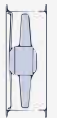
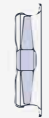
Performance data

| Type | Connection | Characteristic curve | Voltage | Operating point | Current | Motor input power | Speed | Suction side sound power level |
|-----------------|------------|----------------------|---------|-----------------|---------|--------------------|------------------------|--------------------------------|
| | | | U [V] | | I [A] | P ₁ [W] | n [min ⁻¹] | L _{WA5} [dB] |
| FN056-VD_4M_7P2 | Δ | I | 400 | ① | 2.60 | 1300 | 1190 | |
| | | | 400* | ② | 2.20* | 1050* | 1280* | 82 |
| | | | 400 | ③ | 1.75 | 740 | 1370 | 80 |
| | Y | II | 400 | ④ | 1.20 | 640 | 790 | |
| | | | 400* | ⑤ | 1.10* | 580* | 910* | 73 |
| | | | 400 | ⑥ | 0.94 | 480 | 1080 | 75 |

*rated data

Fan ordering information

Airflow direction V ←

| Design | K | F (without contact protection) | F (with contact protection) | Q |
|---|---|---|---|--------------------------|
|  |  |  |  | |
| Type | FN056-VDK.4M.V7P2 | FN056-VDF.4M.V7P2 | FN056-VDF.4M.V7P2 | FN056-VDQ.4M.V7P2 |
| Article no. | 159443 | 159447 | 159446 | 159445 |
| Weight [kg] | 15.40 | 20.40 | 21.30 | 23.20 |

Control technology

| | | | |
|--|---|--|---|
| <p>Frequency inverter Fcontrol 3~</p>  <p>➤ Page 558</p> | <p>Motor protection units 3~</p>  <p>➤ Page 596</p> | <p>Transformer-based controllers 3~</p>  <p>➤ Page 591</p> | <p>Electronic voltage controllers 3~</p>  <p>➤ Page 578</p> |
|--|---|--|---|

Design Q - square, full bell mouth

