

GL99AAa VE09
220-240V 50Hz ~1

COMPRESSOR

Displacement (cm ³)	9.95
Diameter (mm)	25.4
Stroke (mm)	19.62
Net Weight (Kg)	9.6
Oil type	ISO VG 22 ESTER
Oil charge (cm ³)	295

MOTOR

Approximate Power (CV)	1/4
Voltage/Frequency (V/Hz)	220V 50Hz
Voltage range (V)	187-264
Code	-
Type	RSIR
Phase number	1 PH
Locked rotor current (A)	14.0
Main W. resist. at 25°C (Ω)	9.96
Start W. resist. at 25°C (Ω)	20.39

APPLICATION

Application	Low back pressure
Refrigerant	R134a
Evaporating (°C)	-35 to -10
Expansion	Capillar
Comp. cooling	Static
Max. ambient temp. (°C)	43

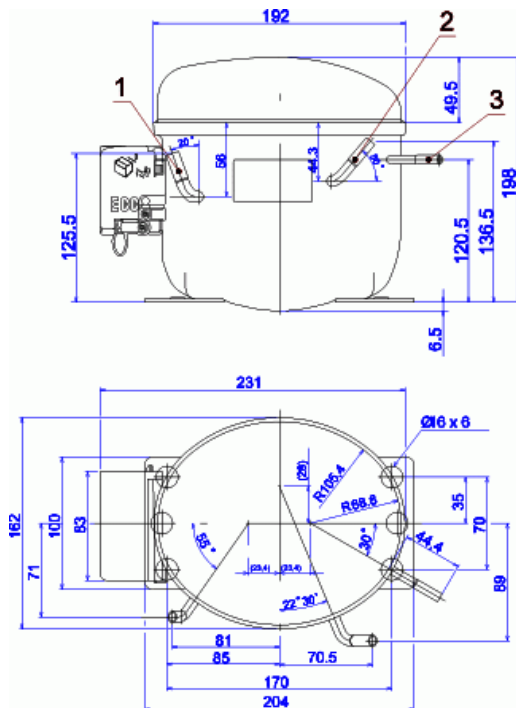
NOMINAL PERFORMANCE	CYCLE A	CYCLE B
Cooling capacity (W)	175	238
Input power (W)	189	200
EER (kcal/Wh)	0.79	1.02
COP (W/W)	0.92	1.19
Current (A)	1.31	1.34

TEST CONDITIONS		
Evaporating temp. (°C)	-25.0	-23.3
Condensing temp. (°C)	55.0	55.0
Liq.t. entering expan. (°C)	55.0	32.0
Ambient t. and return (°C)	32.0	32.0
Tens/Freq (V/Hz)	220V 50Hz	220V 50Hz

ELECTRICAL COMPONENTS

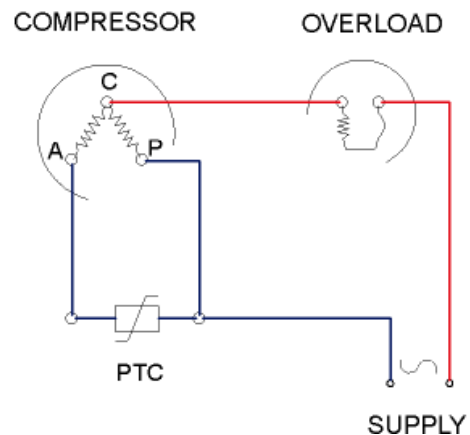
Relay	PTC 3003 - K100		
Nominal voltage (V)	200 - 240		
Resistance μ	14,00		
Protector	MRP336JZ	T0377	AE11FU
Current (A)	9.1	12.0	9.4
Time check (seg)	7.5-14	7.5-14	7.5-14
Disc temp. (Open/Close) (C)	120.0 / 61.0	120.0 / 62.0	120.0 / 62.0

DIMENSIONS AND ELECTRICAL DIAGRAM



DESIGNATION	INTERNAL DIAM. (MM)
1 Suction	6.5
2 Service	6.5
3 Discharge	4.9

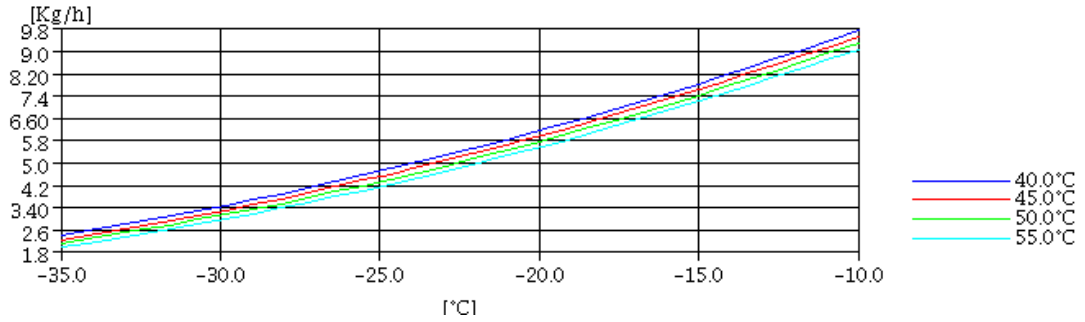
RSIR



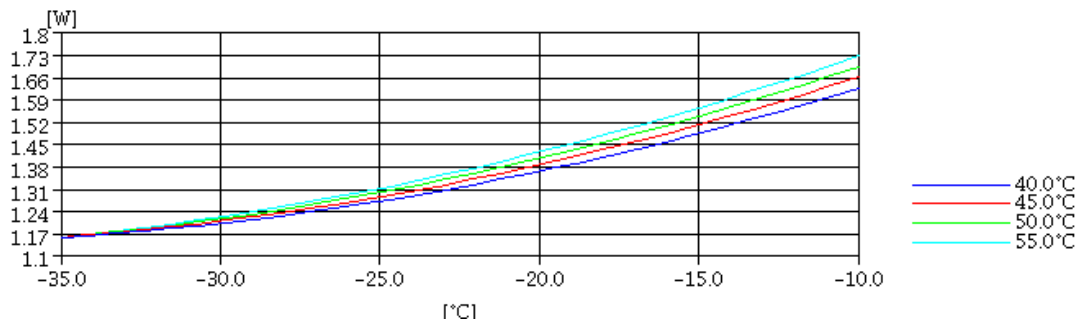
TEST CONDITIONS

Voltage/frequency	220V 50Hz
Ambient t. and return	32 °C
Liq.t. entering expan.	Subcooling at 32 °C

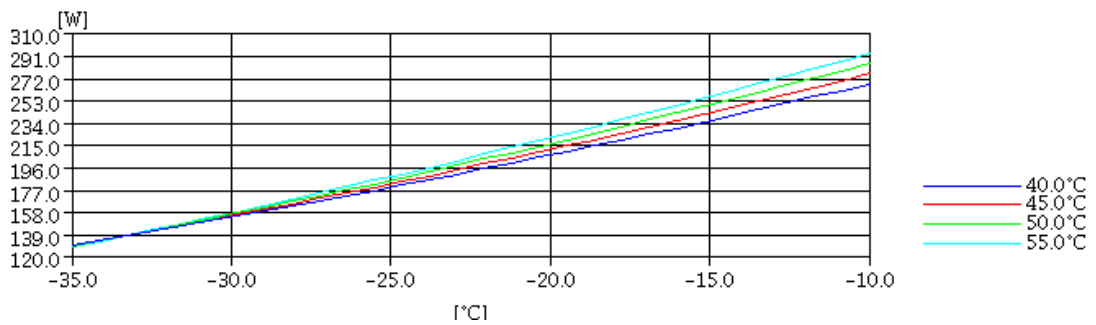
MASS FLOW



INTENSITY



CONSUMPTION



COOLING CAPACITY

