



DATA SHEET

FRABO G-SIZE

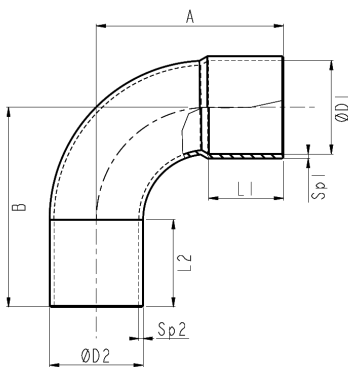
COPPER ENDFEED FITTINGS

FRABO G-SIZE

Copper endfeed fittings

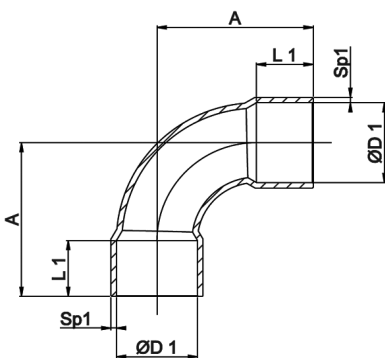


RG5001 90° bend M/F



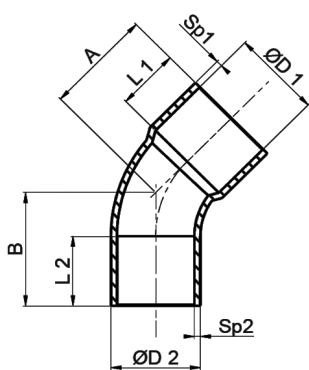
CODE	D1	D2	A±2	B±2	L1 (min)	L2 (min)	Sp1 (min)	Sp2 (min)
RG5001022022000	22	22	44	46	15,4	17,4	1,40	1,40
RG5001028028000	28	28	55	57	18,4	20,4	1,40	1,40
RG5001035035000	35	35	68	70	23	25	1,70	1,70
RG5001042042000	42	42	80	81	27	29	1,90	1,90
RG5001054054000	54	54	100	102	32	34	1,75	1,75
RG5001064064000	64	64	-	-	-	-	-	-
RG5001133133000	133	133	-	-	-	-	-	-

RG5002 90° bend F/F



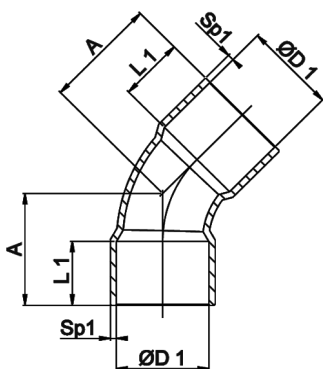
CODE	D1	A±2	L1 (min)	Sp1 (min)
RG5002022022000	22	44	15,4	1,40
RG5002028028000	28	54	18,4	1,40
RG5002035035000	35	69	23	1,70
RG5002042042000	42	82	27	1,90
RG5002054054000	54	100	32	1,75
RG5002064064000	64	-	-	-
RG5002076076000	76	-	-	-
RG5002133133000	133	-	-	-

RG5040 45° street elbow M/F



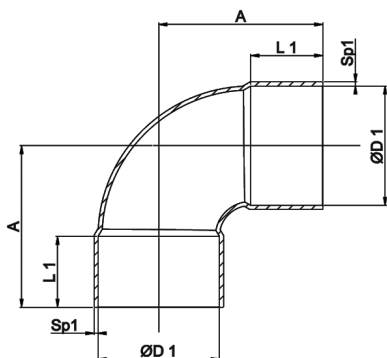
CODE	D1	D2	A±2	B±2	L1 (min)	L2 (min)	Sp1 (min)	Sp2 (min)
RG5040022022000	22	22	31	32	15,4	17,4	1,40	1,40
RG5040028028000	28	28	34,5	36,5	18,4	20,4	1,40	1,40
RG5040035035000	35	35	40	42,5	23	25	1,70	1,70
RG5040042042000	42	42	49	54	27	29	1,90	1,90
RG5040054054000	54	54	60	72	32	34	1,75	1,75
RG5040133133000	133	133	-	-	-	-	-	-

RG5041 45° elbow F/F

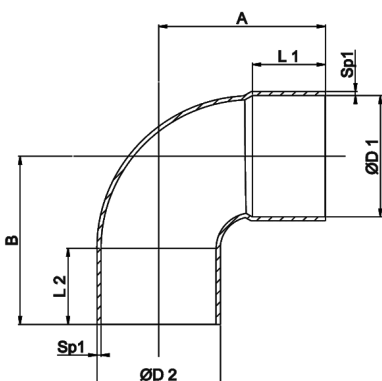


CODE	D1	A±2	L1 (min)	Sp1 (min)
RG5041022022000	22	27	15,4	1,40
RG5041028028000	28	33,5	18,4	1,40
RG5041035035000	35	40	23	1,70
RG5041042042000	42	46	27	1,90
RG5041054054000	54	55,5	32	1,75
RG5041133133000	133	-	-	-

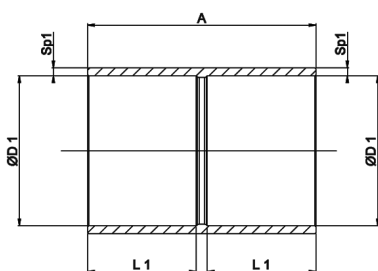
RG5090 Elbow 90° F/F



CODE	D1	A±2	L1 (min)	Sp1 (min)
RG5090028028000	28	46,5	18,4	1,40
RG5090035035000	35	54	23	1,40
RG5090042042000	42	56	27	1,70

RG5092 90° Street Elbow M/F

CODE	D1	D2	A±2	B±2	L1 (min)	L2 (min)	Sp1 (min)
RG5092022022000	22	22	33	35	15,4	17,4	1,40
RG5092028028000	28	28	45	47	18,4	20,4	1,40
RG5092035035000	35	35	53	55	23	25	1,40
RG5092042042000	42	42	61	63	27	29	1,70
RG5092054054000	54	54	74	76	32	34	1,75

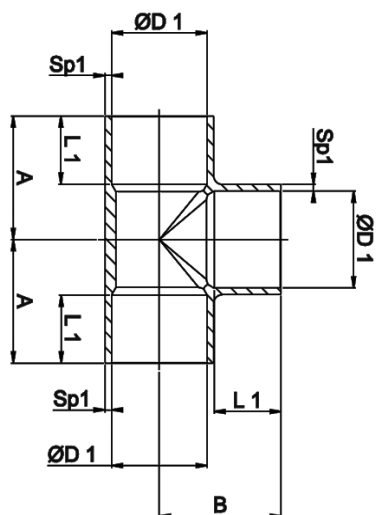
RG5270 Straight coupling F/F

CODE	D1	A±2	L1 (min)	Sp1 (min)
RG5270022022000	22	36	15,4	1,40
RG5270028028000	28	42	18,4	1,40
RG5270035035000	35	54	23	1,70
RG5270042042000	42	62	27	1,90
RG5270054054000	54	73	32	1,75
RG5270133133000	133	-	-	-

RG5271 Slip coupling F/F

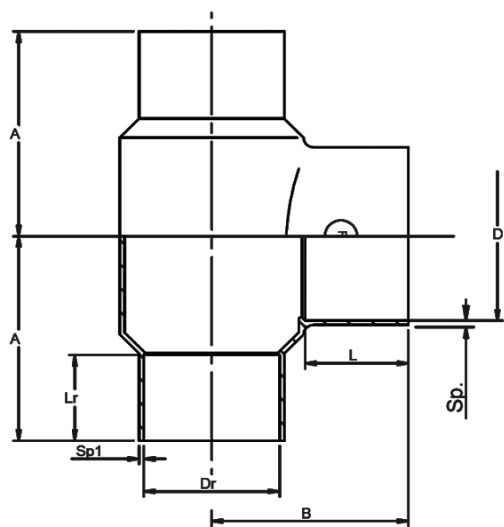
CODE	d
RG5271022022000	22
RG5271028028000	28
RG5271035035000	35
RG5271042042000	42
RG5271054054000	54

RG5130 Equal tee F/F/F



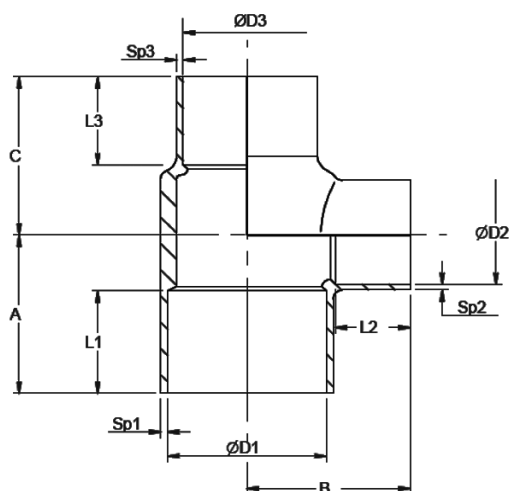
CODE	D1	A±1	B±1	L1 (min)	Sp1 (min)
RG5130022022022	22	27	30	15,4	1,40
RG5130028028028	28	35	35	18,4	1,40
RG5130035035035	35	42	45	23	1,70
RG5130042042042	42	50	56	27	1,90
RG5130054054054	54	61	65	32	1,90
RG5130064064064	64	70	70	32,5	2,50
RG5130133133133	133	-	-	-	-

RG5130 Side reduced tee F/F/F



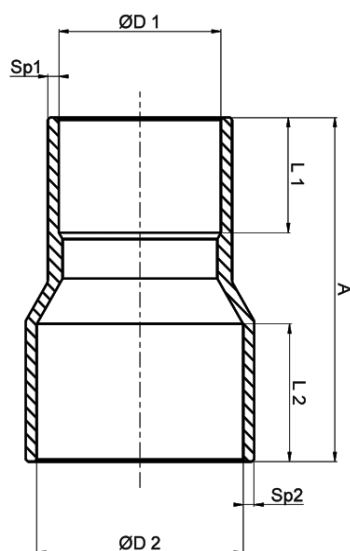
CODE	D	Dr	A -0/+1	B -0/+1	L (min)	Lr (min)	Sp (min)	Sp1 (min)
RG5130018022018	22	18	32	30	15,4	12,4	1,5	1,3
RG5130022028022	28	22	37	35	18,4	15,4	1,5	1,5
RG5130028035028	35	28	42,5	40	23	18,4	1,5	1,5
RG5130035042035	42	35	48	49	27	23	1,5	1,5
RG5130042054042	54	42	61,5	60,5	32	27	1,8	1,8
RG5130042064042	64	42	82	72	32,5	27	2,0	2,0
RG5130054067054	67	54	90	80	33,5	32,5	2,0	2,0
RG5130064076064	76	64	100	80	33,5	32,5	2,0	2,0

RG5130 Reduced tee

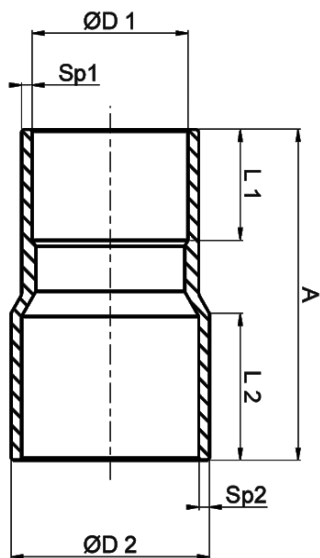


CODE	D1xD2xD3	A±1	B±1	C±1	L1 (min)	L2 (min)	L3 (min)	Sp1 (min)	Sp2 (min)	Sp3 (min)
RG5130028018028	28x18x28	-	-	-	-	-	-	-	-	-
RG5130028022022	28x22x22	32,5	33	35	18,4	15,4	15,4	1,6	1,6	1,6
RG5130028028022	28x28x22	35	35	37	18,4	18,4	15,4	1,6	1,6	1,6
RG5130035022022	35x22x22	36	35	37,5	23	15,4	15,4	1,8	1,6	1,6
RG5130035022035	35x22x35	-	-	-	-	-	-	-	-	-
RG5130035028028	35x28x28	38	38	40	23	18,4	18,4	1,8	1,6	1,6
RG5130035028035	35x28x35	-	-	-	-	-	-	-	-	-
RG5130035035028	35x35x28	43,5	44	43,5	23	23	18,4	1,8	1,8	1,6
RG5130042022042	42x22x42	-	-	-	-	-	-	-	-	-
RG5130042028035	42x28x35	42,5	42	43	27	18,4	23	2,2	1,6	1,8
RG5130042035035	42x35x35	47	48	51	27	23	23	2,2	1,8	1,8
RG5130042035042	42x35x42	47	46	47	27	23	27	2,2	1,8	2,2
RG5130054035042	54x35x42	51	52	53	32	23	27	2,3	1,8	2,2
RG5130054042042	54x42x42	55	56	57	32	27	27	2,3	2,2	2,2
RG5130054054042	54x54x42	-	-	-	-	-	-	-	-	-

RG5240 Reducing coupling F/F



CODE	D1	D2	A±2	L1 (min)	L2 (min)	Sp1 (min)	Sp2 (min)
RG5240028022000	22	28	45	15,4	18,4	1,40	1,40
RG5240035022000	22	35	52	15,4	23	1,40	1,70
RG5240035028000	28	35	57	18,4	23	1,40	1,70
RG5240042022000	22	42	57	15,4	27	1,40	1,90
RG5240042028000	28	42	60	18,4	27	1,40	1,90
RG5240042035000	35	42	61	23	27	1,70	1,90
RG5240054035000	35	54	79	23	32	1,70	1,90
RG5240054042000	42	54	75	27	32	1,90	1,90



CODE	D1	D2	A±2	L1 (min)	L2 (min)	Sp1 (min)	Sp2 (min)
RG5243022014000	14	22	38	10,6	17,4	1,40	1,40
RG5243022016000	16	22	37	10,6	17,4	1,40	1,40
RG5243022018000	18	22	-	-	-	-	-
RG5243028016000	16	28	44	10,6	20,4	1,40	1,40
RG5243028022000	22	28	43	15,4	20,4	1,40	1,40
RG5243035018000	18	35	50	12,6	25	1,40	1,70
RG5243035022000	22	35	54	15,4	25	1,40	1,70
RG5243035028000	28	35	57	18,4	25	1,40	1,70
RG5243042022000	22	42	61	15,4	29	1,40	1,90
RG5243042028000	28	42	62,5	18,4	29	1,40	1,90
RG5243042035000	35	42	60	23	29	1,70	1,90
RG5243054035000	35	54	78	23	34	1,70	1,90
RG5243054042000	42	54	76	27	34	1,90	1,90
RG5243064042000	-	-	-	-	-	-	-
RG5243089076000	-	-	-	-	-	-	-
RG5243108076000	-	-	-	-	-	-	-
RG5243108089000	-	-	-	-	-	-	-
RG5243133089000	-	-	-	-	-	-	-
RG5243133108000	-	-	-	-	-	-	-

Frabo reserves the right to change packaging and product specifications at any time and without notice in order to improve their use.



FRA.BO s.p.A.

HEADQUARTER Via Cadorna, 30 - 25027 Quinzano d'Oglio (BS) - Italy

MANUFACTURING UNIT Via Circonvallazione, 7- 26020 Bordolano (CR) - Italy

T +39 030 99 25 711 F +39 030 99 24 127 @ info@frabo.com W www.frabo.com