

Model

Designation	HXD35MA	220-240V/50Hz 1~	Sales code:	CDO00082
-------------	----------------	-------------------------	-------------	-----------------

Compressor design

Oil type	Mineral	Refrigerant(s)	R600a
Oil viscosity	5cSt	Displacement	3,5cm ³ / 0,21cu.in
Oil quantity	84cm ³ / 2,8fl.oz	Compressors on pallet	168
Refr. charge - tech. limit	110g / 3,9oz		
Free gas volume comp.	837cm ³ / 28,3fl.oz		
Weight	3,7kg / 8,2lbs		
Motor protection	external		
Winding resistance main	54,5Ω (at 25°C)		
Winding resistance aux	38,3Ω (at 25°C)		
Max. winding temp.	120°C / 248°F		
Max. discharge temp.	120°C / 248°F		



General - Configurations with HXD35MA

	Conf. 1	Conf. 2
Motorconfiguration	RSCR	RSIR
Power supply (nominal)	220-240V/50Hz	220-240V/50Hz
Number of phases	1	1
Voltage range	187-254V	187-254V
Approvals	VDE	VDE
Starting torque	LST	LST
Note	Electrical equipment will be pre-assembled to compressor.	

Applications with HXD35MA

	Conf. 1	Conf. 2
Refrigerant	R600a	R600a
Application	LBP+MBP	LBP+MBP
System cooling	static	static
Hot gas defrost	-/-	-/-
Long interval pull down	OK	OK

Electrical data - Configurations with HXD35MA

	Conf. 1	Conf. 2
Starting device type	PTC	PTC
Run capacitor	2μF	0μF
Start capacitor	0μF	0μF
LRA (locked rotor amps / 4s)	2,2A	2,2A
RLA (rated load amps / 1s)	0,19A	0,19A
Cut in current	5,5A	5,5A
IP class	21	21

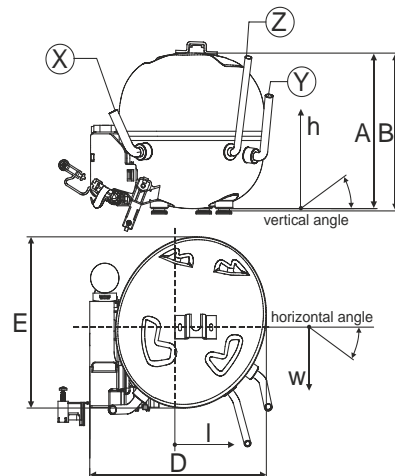
Model

Designation	HXD35MA	220-240V/50Hz 1~	Sales code:	CDO00082
-------------	----------------	-------------------------	-------------	-----------------

Compressor dimensions

Housing	A Height	133mm / 5,24in
	B Height	134,5mm / 5,3in
	C Length shell	135mm / 5,31in
	D Length w. cover	159mm / 6,26in
	E Width	147mm / 5,79in

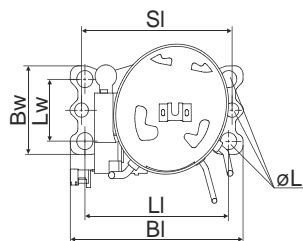
Connectors		Suction	Discharge	Process
		X	Y	Z
Diameter	[mm]	øi 6,1-6,3	øi 4,9-5,1	øo 5,92-6,08
	(i:inside, o:outside) [in]	øi 0,24-0,25	øi 0,19-0,2	øo 0,23-0,24
Material		copper	steel/CU	copper
Horizontal angle	±2°	0°	80°	74°
Vertical angle	±2°	79°	79°	72°
Position l/h/w	[mm]	-54/83/74	87/96/72	69/130/103
	[in]	-2,1/3,3/2,9	3,4/3,8/2,8	2,7/5,1/4,1
Straight tube l.	[mm]	14	14	14
	[in]	0,5	0,5	0,5



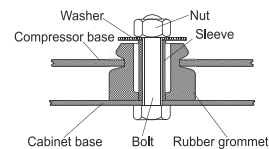
Compressor fixation

Adapter plate

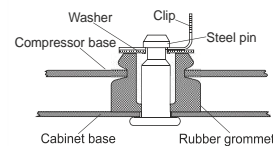
Bolt joint



Baseplate	[mm]	[inch]
BI	204	8,03
Bw	100	3,94
Large holes		
LI	170	6,7
LW	70	2,76
SI	178	7
øL	ø 16	ø 0,63



Snap-on



For standard mounting	one comp.	multi pack
Adapter plate	157008_	
Bolt joint M6 ø16mm	118-1917	118-1918
Bolt joint ø1/4" ø16mm	118-1946	
Snap-on ø7,3 ø16mm	118-1947	118-1919

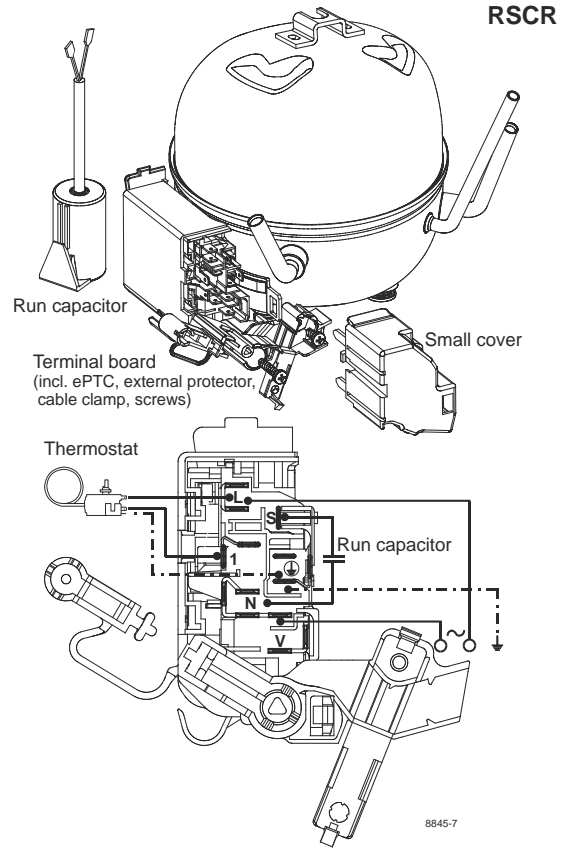
Model

Designation **HXD35MA** **220-240V/50Hz** Conf. 1 Sales code: **CDO00082**

Configuration

Motorconfiguration **RSCR**
 Power supply (nominal) **220-240V/50Hz 1~**
 Refrigerant **R600a**
 Application **LBP+MBP**
 Voltage range **187-254V**
 Starting torque **LST**
 Approvals **VDE**

Electrical accessories / wiring diagram

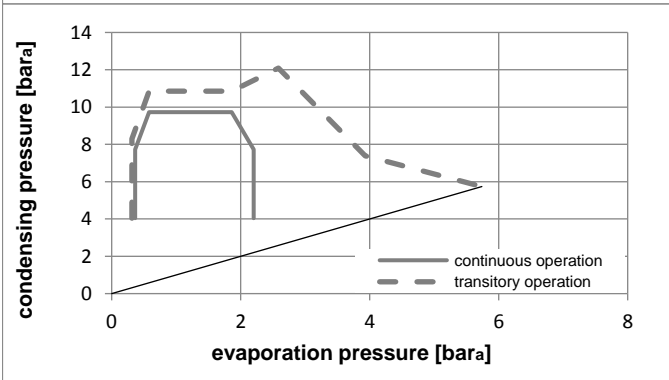
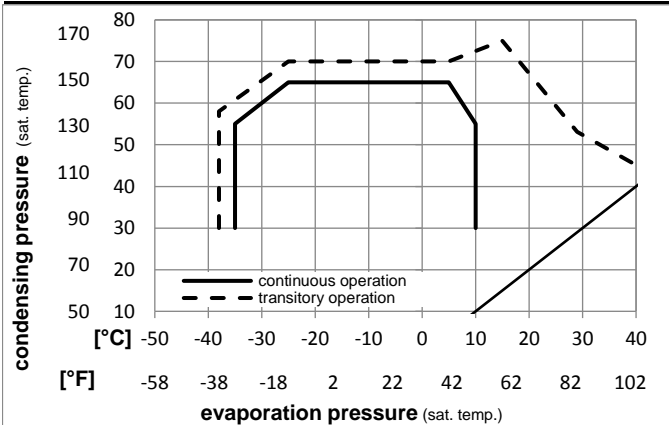


Ambient temperatures / system cooling

Ambient temperature min.: **10°C / 50°F**
 Ambient temperature max.: **43°C / 110°F**

System cooling			
T ambient	LBP	MBP	HBP
32°C / 90°F	static	static	n/a
38°C / 100°F	static	static	n/a
43°C / 110°F	static	static	n/a

Operation pressure range



Components (will be pre-assembled)

- terminal board (ePTC,4.8mm) BX E6
- motor protector BDG AE 88 AHM x E6
- run capacitor (2µF, 4.8mm) cap. 2µF
- cover terminal board 160943_

Model

Designation **HXD35MA 220-240V/50Hz** Conf. 1 Sales code: **CDO00082**

Optimization + standard conditions

220-240V/50Hz 1~, RSCR, static, VDE

Evaporating pressure (saturation temperature)														
Condensing pressure (saturation temperature)														
Return gas temp.														
Liquid temp.														
Cooling capacity														
COP														
EER														
Power consumption														
Current consumption														
Ref. mass flow														
	pe	pc	RGT	Tliq	[W]	[Btu/h]	[kcal/h]	[W/W]	[Btu/Wh]	[kcal/Wh]	P1	I	m	
[°C]	[°C]	[°C]	[°C]	[W]	[Btu/h]	[kcal/h]	[W/W]	[Btu/Wh]	[kcal/Wh]	[W]	[A]	[kg/h]		
[°C]	-23,3	54,4	32,2	32,2	54,8	187	47,1	1,56	5,32	1,34	35,2	0,18	0,59	ASHRAE LBP
[°F]	-10	130	90	90										
[°C]	-25	55	32	55	40,3	138	34,7	1,19	4,08	1,03	33,8	0,17	0,53	cecmaf LBP
[°F]	-13	131	89,6	131										
[°C]	-35	40	20	40	29,9	102	25,7	1,14	3,89	0,98	26,2	0,15	0,36	EN12900 LBP
[°F]	-31	104	68	104										
[°C]	-6,66	54,4	35	46,1	118,2	404	101,7	2,35	8,03	2,02	50,3	0,25	1,41	ASHRAE MBP
[°F]	20	130	95	115										
[°C]	-10	55	32	55	92,2	315	79,3	1,94	6,64	1,67	47,4	0,23	1,21	cecmaf MBP
[°F]	14	131	89,6	131										
[°C]	-10	45	20	45	103,1	352	88,7	2,32	7,91	1,99	44,5	0,22	1,32	EN12900 MBP
[°F]	14	113	68	113										

Performance tables

220-240V/50Hz 1~, RSCR, static, VDE

	pe	Cooling capacity			COP			EER			P1	I	m
	[°C]	[°F]	[W]	[Btu/h]	[kcal/h]	[W/W]	[Btu/Wh]	[kcal/Wh]	[W]	[A]	[kg/h]		
[°C / °F]	-35	-31	26,9	92	23,1	1,03	3,51	0,88	26,1	0,15	0,32		
cond. pressure	-25	-13	48,9	167	42,1	1,48	5,04	1,27	33,1	0,17	0,58		
pc= 45/113	-15	5	84,2	288	72,5	2,07	7,06	1,78	40,7	0,20	1,01		
return gas temp.	-10	14	107,3	366	92,3	2,41	8,24	2,08	44,5	0,22	1,28		
RGT= 32/90	0	32	165,0	563	142,0	3,21	10,98	2,77	51,3	0,25	1,99		
liquid temp	5	41	199,9	683	172,1	3,69	12,60	3,17	54,2	0,27	2,42		
Tliq= 45/113	10	50	239,2	817	205,9	4,23	14,44	3,64	56,6	0,28	2,90		
[°C / °F]	-35	-31	19,1	65	16,4	0,74	2,53	0,64	25,8	0,14	0,25		
cond. pressure	-25	-13	40,3	138	34,7	1,19	4,08	1,03	33,8	0,17	0,53		
pc= 55/131	-15	5	72,0	246	62,0	1,68	5,75	1,45	42,8	0,21	0,94		
return gas temp	-10	14	92,2	315	79,3	1,94	6,64	1,67	47,4	0,23	1,21		
RGT= 32/90	0	32	142,0	485	122,2	2,52	8,61	2,17	56,3	0,27	1,88		
liquid temp	5	41	172,0	587	148,0	2,85	9,72	2,45	60,4	0,29	2,28		
Tliq= 55/131	10	50	205,6	702	176,9	3,21	10,95	2,76	64,1	0,31	2,74		

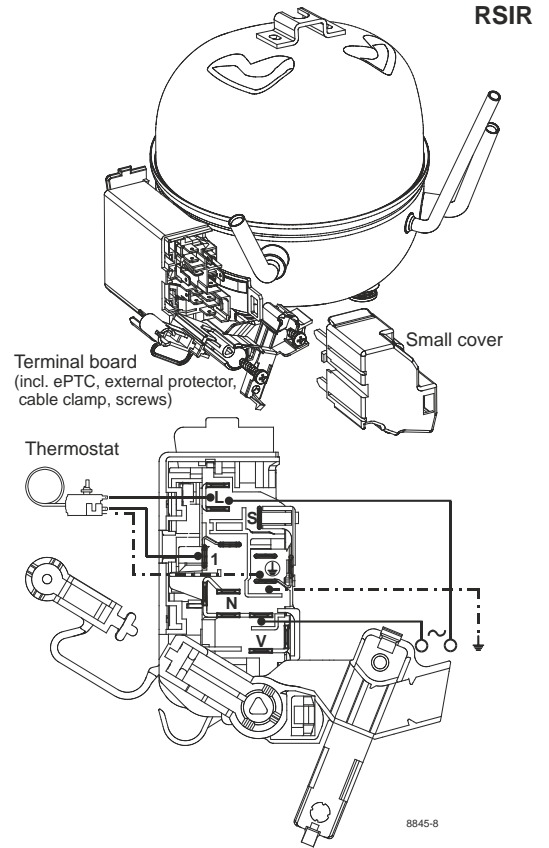
Model

Designation **HXD35MA 220-240V/50Hz** Conf. 2 Sales code: **CDO00082**

Configuration

Motorconfiguration RSIR
 Power supply (nominal) 220-240V/50Hz 1~
 Refrigerant R600a
 Application LBP+MBP
 Voltage range 187-254V
 Starting torque LST
 Approvals VDE

Electrical accessories / wiring diagram

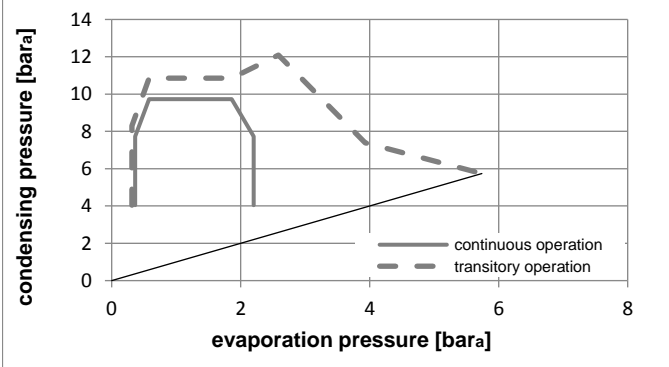
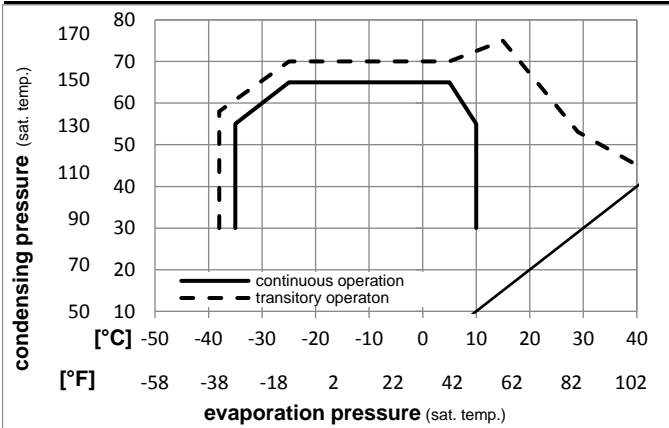


Ambient temperatures / system cooling

Ambient temperature min.: 10°C / 50°F
 Ambient temperature max.: 43°C / 110°F

System cooling			
T ambient	LBP	MBP	HBP
32°C / 90°F	static	static	n/a
38°C / 100°F	static	static	n/a
43°C / 110°F	static	static	n/a

Operation pressure range



Components (will be pre-assembled)

- terminal board (ePTC,4.8mm) BX E6
- motor protector BDG AE 88 AHM x E6
- cover terminal board 160943_

Model

Designation	HXD35MA	220-240V/50Hz	Conf. 2	Sales code:	CDO00082
-------------	----------------	----------------------	----------------	-------------	-----------------

Optimization + standard conditions

220-240V/50Hz 1~, RSIR, static, VDE

	Evaporating pressure (saturation temperature)				Condensing pressure (saturation temperature)						Power consumption			ASHRAE LBP
	pe	pc	RGT	Tliq	Cooling capacity			COP	EER		P1	I	Ref. mass flow	
	[°C]	[°F]	[°C]	[°F]	[W]	[Btu/h]	[kcal/h]	[W/W]	[Btu/Wh]	[kcal/Wh]	[W]	[A]	[kg/h]	
	-23,3	54,4	32,2	32,2	54,3	186	46,7	1,46	4,97	1,25	37,3	0,30	0,58	ASHRAE LBP
	-10	130	90	90										
	-25	55	32	55	40,1	137	34,5	1,12	3,82	0,96	35,8	0,29	0,52	cecomaf LBP
	-13	131	89,6	131										
	-35	40	20	40	28,6	98	24,6	1,04	3,55	0,90	27,5	0,28	0,35	EN12900 LBP
	-31	104	68	104										
	-6,66	54,4	35	46,1	116,7	399	100,4	2,17	7,42	1,87	53,7	0,35	1,39	ASHRAE MBP
	20	130	95	115										
	-10	55	32	55	90,8	310	78,2	1,79	6,13	1,54	50,6	0,34	1,19	cecomaf MBP
	14	131	89,6	131										
	-10	45	20	45	102,3	349	88,0	2,17	7,39	1,86	47,2	0,33	1,31	EN12900 MBP
	14	113	68	113										

Performance tables

220-240V/50Hz 1~, RSIR, static, VDE

	pe	Cooling capacity			COP			EER		P1	I	m
	[°C]	[°F]	[W]	[Btu/h]	[kcal/h]	[W/W]	[Btu/Wh]	[kcal/Wh]	[W]	[A]	[kg/h]	
[°C / °F]	-35	-31	26,1	89	22,4	0,95	3,24	0,82	27,5	0,28	0,31	
cond. pressure	-25	-13	48,7	166	41,9	1,39	4,75	1,20	35,0	0,29	0,58	
pc= 45/113	-15	5	83,6	286	72,0	1,94	6,62	1,67	43,2	0,31	1,00	
return gas temp.	-10	14	106,5	364	91,6	2,25	7,70	1,94	47,2	0,33	1,27	
RGT= 32/90	0	32	164,2	561	141,4	2,99	10,22	2,58	54,9	0,35	1,98	
liquid temp	5	41	199,8	682	171,9	3,43	11,73	2,96	58,2	0,37	2,41	
Tliq= 45/113	10	50	240,0	820	206,6	3,94	13,45	3,39	61,0	0,38	2,91	
[°C / °F]	-35	-31	19,3	66	16,6	0,70	2,40	0,61	27,4	0,28	0,25	
cond. pressure	-25	-13	40,1	137	34,5	1,12	3,82	0,96	35,8	0,29	0,52	
pc= 55/131	-15	5	70,9	242	61,0	1,56	5,32	1,34	45,6	0,32	0,93	
return gas temp	-10	14	90,8	310	78,2	1,79	6,13	1,54	50,6	0,34	1,19	
RGT= 32/90	0	32	141,1	482	121,4	2,33	7,95	2,00	60,6	0,37	1,86	
liquid temp	5	41	171,9	587	148,0	2,64	9,00	2,27	65,2	0,39	2,28	
Tliq= 55/131	10	50	207,0	707	178,1	2,98	10,16	2,56	69,6	0,41	2,76	