

Technical Data Sheet

Compressor model **MS34FB_T**
 Voltage **220V 50 Hz ~1**
 Refrigerant **R404A**

APPLICATION		COMPRESSOR		MOTOR	
Application	Low Back Pressure	Displacement	34,42 cm ³	Approximate Power	1 hp
Refrigerant	R404A	Diameter	42,86 mm	Voltage/Frequency	220V 50Hz
Evaporating Temp.	-40,0 to -10,0	Stroke	23,85 mm	Voltage range	187-242 V
Expansion	Capillar/Valve	Net Weight	22,70 Kg	Type	CSR
Comp. Cooling	Fan cooled	Oil type	ISO VG 46 ESTER	Phase number	1 P
Max. ambient temp.	43,0	Oil charge	887 cm ³	Locked rotor current	39,00 A
				Main W. resist. at 25°C	1,53
				Start W. resist. at 25°C	4,79

	ASHRAE	CECOMAF
Cooling Capacity	1.400 kcal/h	1.085 W
COP	1,35 W/W	0,95 W/W
EER	1,16 kcal/Wh	0,82 kcal/Wh
Input Power	1.205 W	1.148 W
Current	6,40 A	6,16 A

APPROVALS



TEST CYCLE CONDITIONS

	ASHRAE LBP (B)	CECOMAF LBP (A)
Evaporating temp.	-23,3 °C	-25,0 °C
Condensing temp.	55,0 °C	55,0 °C
Liquid temp.	32,0 °C	55,0 °C
Ambient temp.	32,0 °C	32,0 °C
Suction temp.	32,0 °C	32,0 °C
Voltage/Frequency	220 V 50 Hz	220 V 50 Hz

ELECTRICAL COMPONENTS

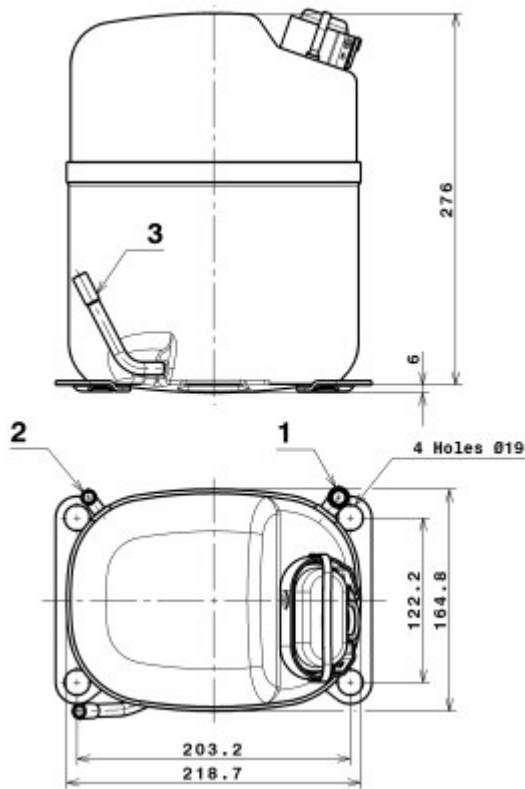
Starting capacitor	88-108 µF 330 V			
Run capacitor	20 µF 420 V			
Relay	Option 1	Option 2		
Reference	3ARR3 10AA3	RVA 4M..		
Pick-Up	239-270 A	242-270 A		
Drop-Out	50-110 A	50-110 A		
Protector	Option 1	Option 2		
Reference	MRT00AHK	T0534		
Current	22,00 A	20,00 A		
Time check	7,5-14 seg	7,5-14 seg		
Disc temp. (Open/Close)	105,00 / 61,00 °C	105,00 / 52,00 °C		

ASHRAE

Tc	Te	Cooling Capacity kcal/h	Consumption W	Current A	COP W/W	EER kcal/Wh
40	-40	520	683	4,31	0,89	0,76
40	-35	831	816	4,82	1,18	1,02
40	-30	1.192	958	5,38	1,45	1,25
40	-25	1.605	1.106	5,99	1,69	1,45
40	-23,3	1.757	1.158	6,20	1,76	1,52
40	-20	2.069	1.262	6,64	1,91	1,64
40	-15	2.584	1.425	7,35	2,11	1,81
40	-10	3.150	1.595	8,11	2,30	1,97
45	-40	440	655	4,21	0,78	0,67
45	-35	739	802	4,77	1,07	0,92
45	-30	1.089	956	5,37	1,32	1,14
45	-25	1.490	1.117	6,03	1,55	1,33
45	-23,3	1.638	1.174	6,27	1,62	1,40
45	-20	1.942	1.286	6,74	1,76	1,51
45	-15	2.446	1.462	7,51	1,95	1,67
45	-10	3.000	1.645	8,34	2,12	1,82
50	-40	360	628	4,10	0,67	0,57
50	-35	647	787	4,71	0,96	0,82
50	-30	985	954	5,37	1,20	1,03
50	-25	1.375	1.128	6,08	1,42	1,22
50	-23,3	1.519	1.189	6,33	1,49	1,28
50	-20	1.815	1.310	6,85	1,61	1,39
50	-15	2.307	1.499	7,68	1,79	1,54
50	-10	2.850	1.695	8,57	1,96	1,68
55	-40	280	600	4,00	0,54	0,47
55	-35	556	773	4,65	0,84	0,72
55	-30	882	953	5,36	1,08	0,93
55	-25	1.260	1.140	6,13	1,29	1,11
55	-23,3	1.400	1.205	6,40	1,35	1,16
55	-20	1.689	1.334	6,95	1,47	1,27
55	-15	2.169	1.536	7,84	1,64	1,41
55	-10	2.700	1.745	8,80	1,80	1,55
60	-40	200	573	3,90	0,41	0,35
60	-35	464	758	4,60	0,71	0,61
60	-30	779	951	5,35	0,95	0,82
60	-25	1.145	1.151	6,17	1,16	0,99
60	-23,3	1.281	1.221	6,47	1,22	1,05
60	-20	1.562	1.358	7,06	1,34	1,15
60	-15	2.031	1.573	8,01	1,50	1,29
60	-10	2.550	1.795	9,03	1,65	1,42

Technical Data Sheet

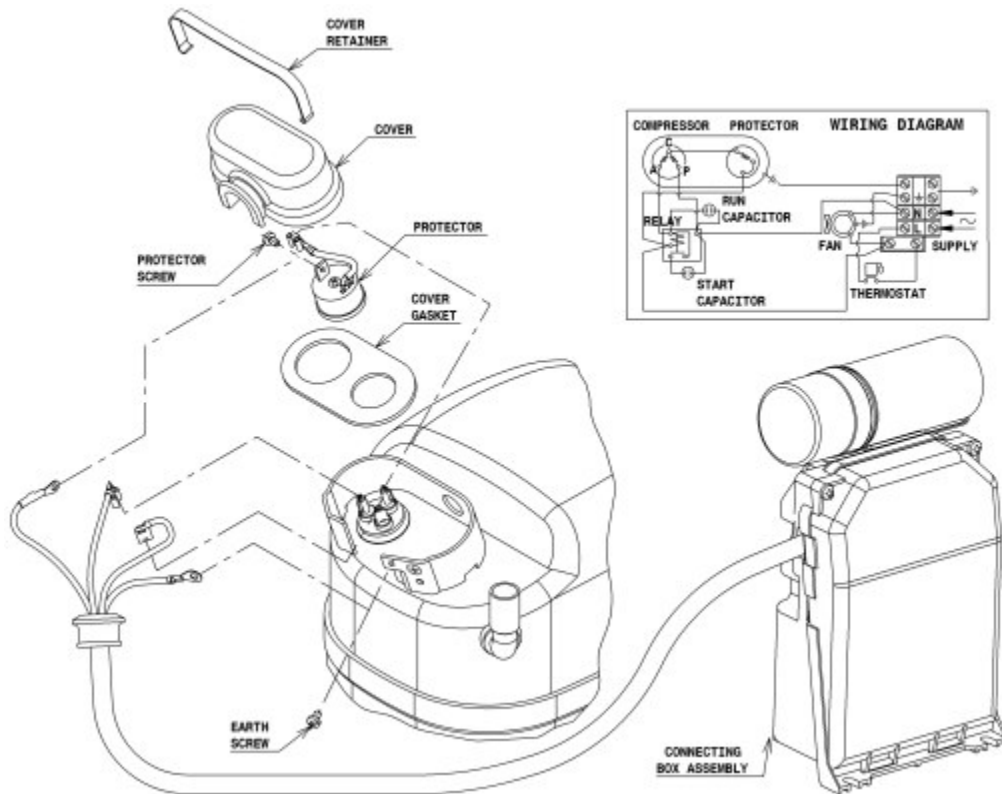
COMPRESSOR DIMENSIONS



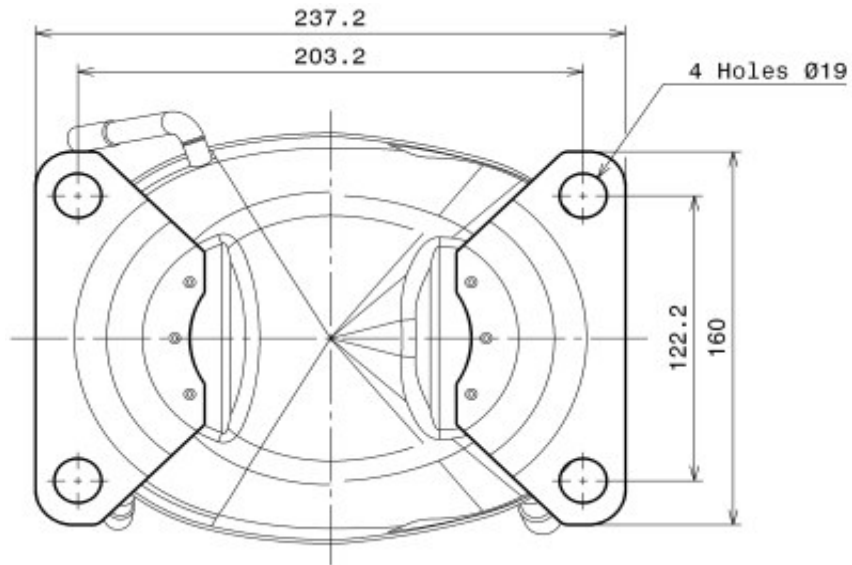
	DESIGNATION	INTERNAL DIAM.
1	Suction	12,7 mm
2	Service	9,6 mm
3	Discharge	8,0 mm

WIRING DIAGRAMS AND ELECTRICAL ASSEMBLY

CSR CONNECTION (EXTERNAL CONNECTING BOX) (S range)



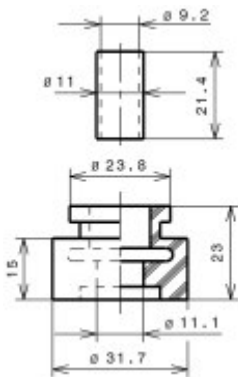
FIXINGS



SILENT BLOCKS (MOUNTING ACCESSORIES)

STANDARD

D.19 holds net (203.2x122.2)



SOA

SOA R404A LBP

