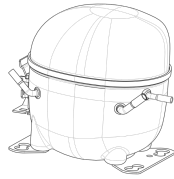


220-240V 50 1~**GENERAL DATA**

Application: LBP
Refrigerant: R600a
Evaporating Temperature Range: -30°C to -5°C
Compressor Cooling: Static
Type: Hermetic reciprocating
Technology Type: On-Off
Expansion Device: Capillary Tube
Packing Quantity: Single - 1 pc
Displacement: 14.28 cm³
Horse power: 1.4 hp

Approvals:   

MECHANICAL DATA

Bore: 30.16 mm
Stroke: 20 mm
Oil Charge: 280ml +/-15ml
Free Internal Volume: 2.3 cm³
Maximum Recommended Refrigerant Charge: 150 g
Oil Type Configuration: Alkylbenzene
Oil Type Viscosity: ISO5
Compressor pressurization: Without dry air charge
Weight: 10.4 kg

ELECTRICAL DATA

Motor Type: RSCR
Starting Torque: LST
Voltage working range at 50 Hz: 198-254 V
Maximum Motor Temperature: 130 °C
Start Winding Resistance: 23.2 Ω (± 10%) at 25°C
Run Winding Resistance: 15.2 Ω (± 10%) at 25°C

MOUNTING ACCESSORIES

	Description	Code
Terminal Board:	no	-
Overload Protector Bracket:	no	-
Capacitor Bracket:	no	-
Washer:	no	-
Pin:	no	-
Clip:	no	-
Rotolock valve:	no	-
Cover:	yes	2075282
Anchorage:	yes	1027058
Grommets:	yes	2221011
Sleeves:	yes	2222018

ELECTRICAL COMPONENTS

	Component type	Description	Code
Run Capacitor:		4 MFD	2253110
Starting Device:	TSD	TSD2 220V	513605512
Motor Protection:	External	4TM222RFBYY-73	2312009

EXTERNAL CHARACTERISTICS

Base Plate: European
Tray Holder: Yes
Height: 194 mm

	Internal Diameter (mm)	Material	Shape
Suction Connector	6.1	Copper	Slanted 42°
Discharge Connector	4.86	Copper	Straight
Process Connector	6.1	Copper	Slanted 42°

RATED POINT DATA

Cooling Capacity (W)	Power Consumption (W)	Current Consumption (A)	Gas Flow Rate (kg/h)	Efficiency (W/W)
±5%	±5%	±5%	±5%	±7%
181	130	0.61	2.35	1.39

Test condition: CECOMAF, Static, Return Gas 32°C, Subcooling OK, Evaporating: -25°C, Condensing: 55°C, Ambient: 32°C

PERFORMANCE CURVE DATA

220V 50Hz

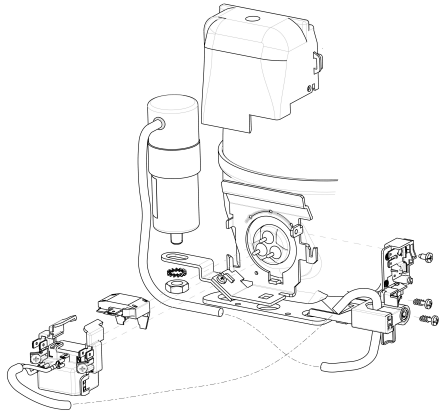
Condensing Temperature (°C)	Evaporating Temperature (°C)	Cooling Capacity (W)	Power Consumption (W)	Current Consumption (A)	Gas Flow Rate (kg/h)	Efficiency (W/W)
		±5%	±5%	±5%	±5%	±7%
35°C	-5	599	173	0.81	6.61	3.46
	-10	481	156	0.73	5.29	3.08
	-15	380	141	0.66	4.17	2.70
	-20	295	126	0.60	3.23	2.34
	-25	226	113	0.54	2.48	2.01
	-30	173	100	0.48	1.90	1.73

Condensing Temperature (°C)	Evaporating Temperature (°C)	Cooling Capacity (W)	Power Consumption (W)	Current Consumption (A)	Gas Flow Rate (kg/h)	Efficiency (W/W)
		±5%	±5%	±5%	±5%	±7%
45°C	-5	529	193	0.90	6.34	2.74
	-10	427	173	0.81	5.10	2.47
	-15	339	155	0.72	4.05	2.19
	-20	266	138	0.65	3.16	1.92
	-25	206	123	0.58	2.45	1.67
	-30	159	109	0.51	1.89	1.46

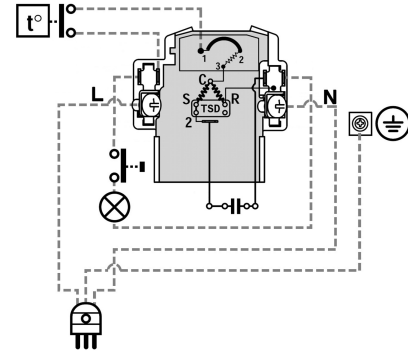
Condensing Temperature (°C)	Evaporating Temperature (°C)	Cooling Capacity (W)	Power Consumption (W)	Current Consumption (A)	Gas Flow Rate (kg/h)	Efficiency (W/W)
		±5%	±5%	±5%	±5%	±7%
55°C	-5	464	215	1.00	6.10	2.16
	-10	376	190	0.88	4.92	1.97
	-15	299	168	0.78	3.91	1.78
	-20	234	148	0.69	3.05	1.58
	-25	181	130	0.61	2.35	1.39

Test condition: CECOMAF, Static, Return Gas 32°C, Subcooling OK, Ambient: 32°C

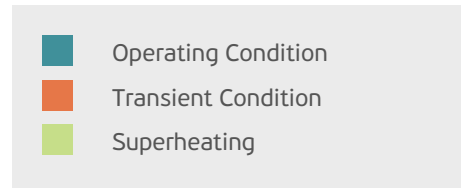
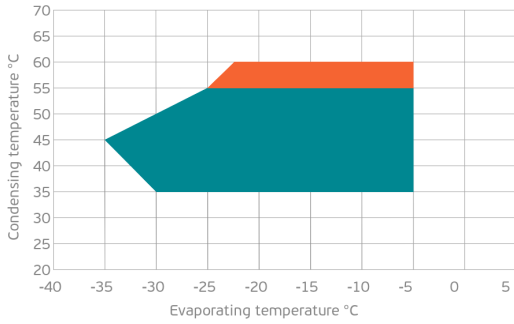
ASSEMBLY INSTRUCTION



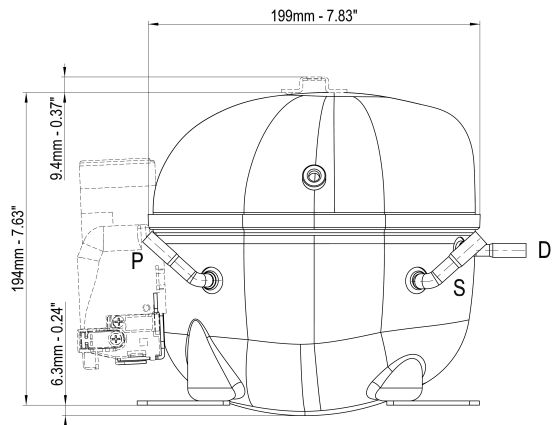
WIRING DIAGRAM



OPERATING ENVELOPE



NOTE: usage of compressors outside of intended working range cannot make use of the warranty, or should be consulted with Technical support.



	∅ mm	∅ in	Material
S - Suction	6.10 - 6.20	0.24	Cu
P - Process	6.10 - 6.20	0.24	Cu
D - Discharge	4.86 - 5.03	0.19	Cu

