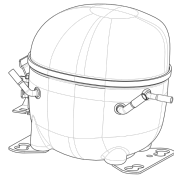


**220-240V 50 1~****GENERAL DATA**

**Application:** MBP  
**Refrigerant:** R290  
**Evaporating Temperature Range:** -20°C to 10°C  
**Compressor Cooling:** Fan  
**Fan air flow:** 520 m<sup>3</sup>/h  
**Type:** Hermetic reciprocating  
**Technology Type:** On-Off  
**Expansion Device:** Capillary Tube or Expansion Valve  
**Packing Quantity:** Single - 1 pc  
**Displacement:** 6.2 cm<sup>3</sup>  
**Horse power:** 1.4 hp

Approvals:   

**MECHANICAL DATA**

**Bore:** 20.87 mm  
**Stroke:** 18.12 mm  
**Oil Charge:** 350ml +/-15ml  
**Free Internal Volume:** 2.1 cm<sup>3</sup>  
**Maximum Recommended Refrigerant Charge:** 150 g  
**Oil Type Configuration:** Polyolester  
**Oil Type Viscosity:** ISO22  
**Compressor pressurization:** Without dry air charge  
**Weight:** 10.3 kg

**ELECTRICAL DATA**

**Motor Type:** CSIR  
**Starting Torque:** HST  
**Voltage working range at 50 Hz:** 198-254 V  
**Maximum Motor Temperature:** 130 °C  
**Start Winding Resistance:** 28.2 Ω (± 10%) at 25°C  
**Run Winding Resistance:** 6.1 Ω (± 10%) at 25°C

**MOUNTING ACCESSORIES**

	Description	Code
<b>Anchorage:</b>	no	-
<b>Capacitor Bracket:</b>	no	-
<b>Washer:</b>	no	-
<b>Pin:</b>	no	-
<b>Clip:</b>	no	-
<b>Rotolock valve:</b>	no	-
<b>Cover:</b>	yes	2075282
<b>Grommets:</b>	yes	2221011
<b>Sleeves:</b>	yes	2222018
<b>Terminal Board:</b>	yes	1027060
<b>Overload Protector Bracket:</b>	yes	2075299

**ELECTRICAL COMPONENTS**

	Component type	Description	Code
<b>Start Capacitor:</b>		43-53 MFD 330V	2252347
<b>Motor Protection:</b>	External 3/4"	T0186/G6	2319069
<b>Starting Device:</b>	Current relay	MTRP-0029-65	2334105

**EXTERNAL CHARACTERISTICS**

**Base Plate:** European  
**Tray Holder:** No  
**Height:** 188 mm

	Internal Diameter (mm)	Material	Shape
<b>Suction Connector</b>	8.1	Copper	Slanted 42°
<b>Discharge Connector</b>	6.1	Copper	Straight
<b>Process Connector</b>	6.1	Copper	Slanted 42°

**RATED POINT DATA**

Cooling Capacity (W)	Power Consumption (W)	Current Consumption (A)	Gas Flow Rate (kg/h)	Efficiency (W/W)
±5%	±5%	±5%	±5%	±7%
849	341	2.30	9.88	2.49

Test condition: ASHRAE, Fan, Return Gas 35°C, Subcooling 8.3K, Evaporating: 7.2°C, Condensing: 54°C, Ambient: 35°C

**PERFORMANCE CURVE DATA**

**220V 50Hz**

Condensing Temperature (°C)	Evaporating Temperature (°C)	Cooling Capacity (W)	Power Consumption (W)	Current Consumption (A)	Gas Flow Rate (kg/h)	Efficiency (W/W)
		±5%	±5%	±5%	±5%	±7%
<b>35°C</b>	10	1 163	285	2.11	11.56	4.08
	5	988	275	2.08	9.75	3.60
	0	831	264	2.06	8.15	3.15
	-5	693	254	2.03	6.76	2.73
	-10	573	243	2.00	5.56	2.36
	-15	471	232	1.97	4.55	2.03
	-20	387	221	1.94	3.72	1.75

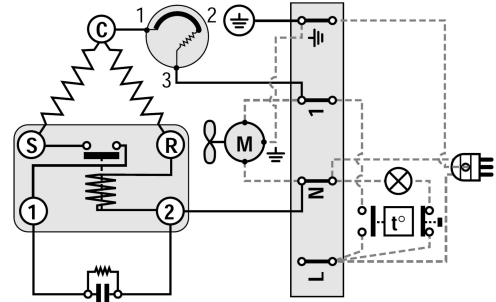
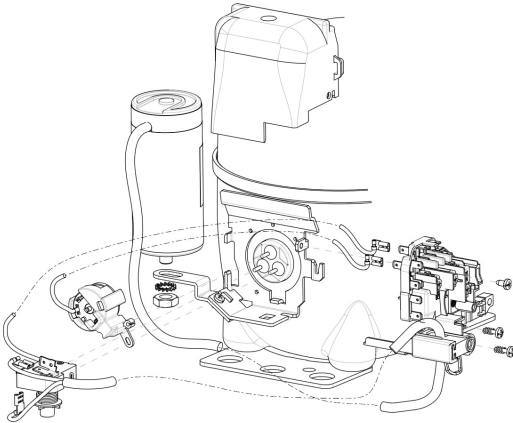
Condensing Temperature (°C)	Evaporating Temperature (°C)	Cooling Capacity (W)	Power Consumption (W)	Current Consumption (A)	Gas Flow Rate (kg/h)	Efficiency (W/W)
		±5%	±5%	±5%	±5%	±7%
<b>45°C</b>	10	1 039	318	2.22	11.20	3.27
	5	881	307	2.19	9.41	2.87
	0	739	295	2.15	7.84	2.51
	-5	614	281	2.11	6.48	2.18
	-10	507	267	2.06	5.32	1.90
	-15	416	251	2.01	4.35	1.66
	-20	342	234	1.96	3.56	1.46

Condensing Temperature (°C)	Evaporating Temperature (°C)	Cooling Capacity (W)	Power Consumption (W)	Current Consumption (A)	Gas Flow Rate (kg/h)	Efficiency (W/W)
		±5%	±5%	±5%	±5%	±7%
<b>55°C</b>	10	920	351	2.34	10.87	2.62
	5	777	339	2.29	9.10	2.29
	0	650	324	2.24	7.55	2.01
	-5	539	307	2.18	6.22	1.75
	-10	444	288	2.12	5.09	1.54

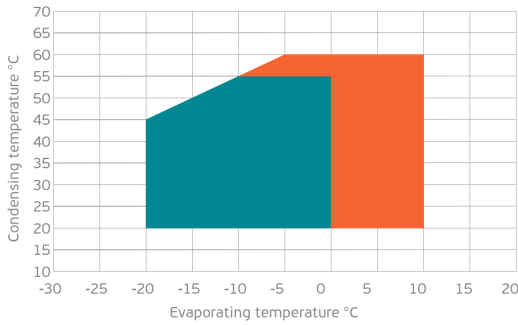
Test condition: ASHRAE, Fan, Return Gas 35°C, Subcooling 8.3K, Ambient: 35°C

**ASSEMBLY INSTRUCTION**

**WIRING DIAGRAM**

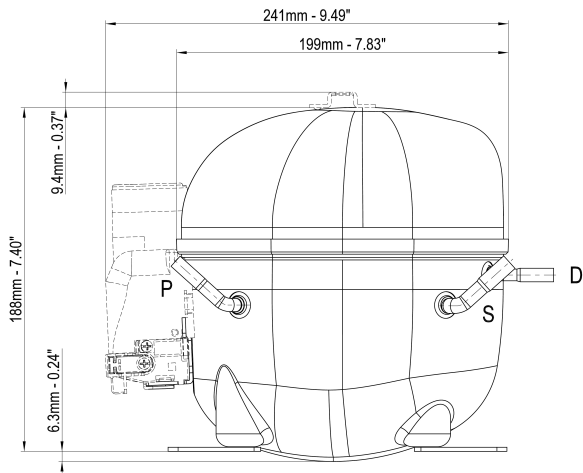


**OPERATING ENVELOPE**



- Operating Condition
- Transient Condition
- Superheating

**NOTE:** usage of compressors outside of intended working range cannot make use of the warranty, or should be consulted with Technical support.



	∅ mm	∅ in	Material
<b>S - Suction</b>	8.10 - 8.20	0.32	Cu
<b>P - Process</b>	6.10 - 6.20	0.24	Cu
<b>D - Discharge</b>	6.10 - 6.20	0.24	Cu

