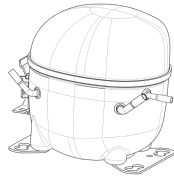


220-240V 50 1~**GENERAL DATA****Application:** LBP**Refrigerant:** R290**Evaporating Temperature Range:** -40°C to -10°C**Compressor Cooling:** Fan**Fan air flow:** 520 m³/h**Type:** Hermetic reciprocating**Technology Type:** On-Off**Expansion Device:** Capillary Tube or Expansion Valve**Packing Quantity:** Multi - 28 pcs**Displacement:** 13.54 cm³**Horse power:** 3.4 hp
Approvals:




MECHANICAL DATA**Bore:** 29.36 mm**Stroke:** 20 mm**Oil Charge:** 350ml +/-15ml**Free Internal Volume:** 2.1 cm³**Maximum Recommended Refrigerant Charge:** 150 g**Oil Type Configuration:** Polyolester**Oil Type Viscosity:** ISO22**Compressor pressurization:** Without dry air charge**Weight:** 12 kg**ELECTRICAL DATA****Motor Type:** CSR**Starting Torque:** HST**Voltage working range at 50 Hz:** 198-254 V**Maximum Motor Temperature:** 130 °C**Start Winding Resistance:** 19.29 Ω (± 10%) at 25°C**Run Winding Resistance:** 5.98 Ω (± 10%) at 25°C**Locked Rotor Amperage (LRA):** 18 A**MOUNTING ACCESSORIES**

	Description	Code
Terminal Board:	no	-
Anchorage:	no	-
Capacitor Bracket:	no	-
Washer:	no	-
Pin:	no	-
Clip:	no	-
Rotolock valve:	no	-
Grommets:	yes	2221011
Sleeves:	yes	2222018
Overload Protector Bracket:	yes	2075299
Cover:	yes	2075278

ELECTRICAL COMPONENTS

	Component type	Description	Code
Starting Device:	Potential relay	RVA4L3C-566	1253051
Start Capacitor:		64-77 MFD 330V	2252291
Run Capacitor:		5 MFD	2253325
CSR / CSIR Box:	yes		1272386
Motor Protection:	External 3/4"	T0168/G9	2321094

EXTERNAL CHARACTERISTICS**Base Plate:** European**Tray Holder:** No**Height:** 200 mm

	Internal Diameter (mm)	Material	Shape
Suction Connector	8.1	Copper	Slanted 42°
Discharge Connector	6.1	Copper	Straight
Process Connector	6.1	Copper	Slanted 42°



RATED POINT DATA

Cooling Capacity (W)	Power Consumption (W)	Current Consumption (A)	Gas Flow Rate (kg/h)	Efficiency (W/W)
±5%	±5%	±5%	±5%	±7%
657	406	2.00	6.67	1.62

Test condition: ASHRAE, Fan, Return Gas 32.2°C, Evaporating: -23.3°C, Condensing: 54°C, Ambient: 32.2°C, Liquid: 32.2°C

PERFORMANCE CURVE DATA

220V 50Hz

Condensing Temperature (°C)	Evaporating Temperature (°C)	Cooling Capacity (W)	Power Consumption (W)	Current Consumption (A)	Gas Flow Rate (kg/h)	Efficiency (W/W)
		±5%	±5%	±5%	±5%	±7%
35°C	-10	1 249	439	2.15	12.82	2.85
	-15	1 031	407	2.01	10.54	2.53
	-20	839	375	1.87	8.55	2.24
	-25	673	343	1.73	6.83	1.96
	-30	532	310	1.60	5.38	1.71
	-35	416	277	1.46	4.20	1.50
	-40	326	244	1.33	3.28	1.34

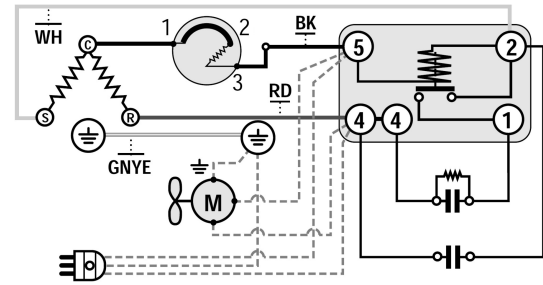
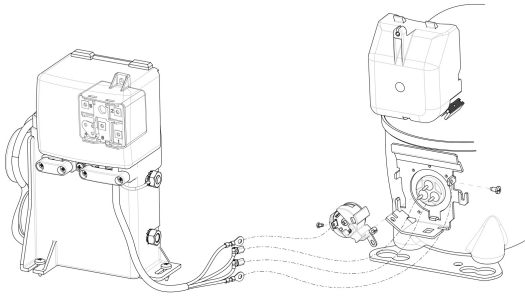
Condensing Temperature (°C)	Evaporating Temperature (°C)	Cooling Capacity (W)	Power Consumption (W)	Current Consumption (A)	Gas Flow Rate (kg/h)	Efficiency (W/W)
		±5%	±5%	±5%	±5%	±7%
45°C	-10	1 193	488	2.37	12.24	2.44
	-15	984	448	2.19	10.06	2.20
	-20	800	408	2.01	8.15	1.96
	-25	640	369	1.84	6.49	1.73
	-30	503	330	1.68	5.09	1.52
	-35	391	292	1.52	3.95	1.34

Condensing Temperature (°C)	Evaporating Temperature (°C)	Cooling Capacity (W)	Power Consumption (W)	Current Consumption (A)	Gas Flow Rate (kg/h)	Efficiency (W/W)
		±5%	±5%	±5%	±5%	±7%
55°C	-10	1 131	538	2.59	11.61	2.10
	-15	933	489	2.37	9.53	1.91
	-20	757	440	2.15	7.70	1.72
	-25	603	393	1.94	6.12	1.53
	-30	473	347	1.75	4.78	1.36

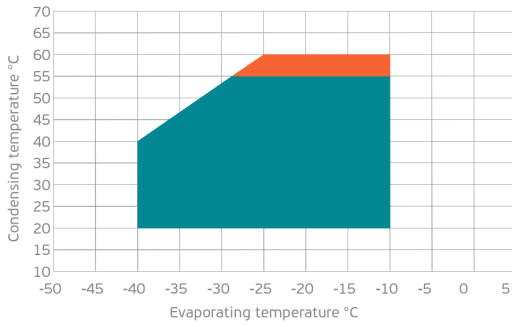
Test condition: ASHRAE, Fan, Return Gas 32.2°C, Ambient: 32.2°C, Liquid: 32.2°C

ASSEMBLY INSTRUCTION

WIRING DIAGRAM

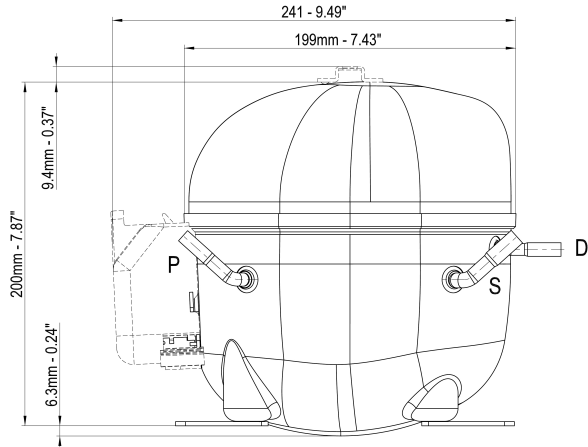


OPERATING ENVELOPE



- Operating Condition
- Transient Condition
- Superheating

NOTE: usage of compressors outside of intended working range cannot make use of the warranty, or should be consulted with Technical support.



	∅ mm	∅ in	Material
S - Suction	8.10 - 8.20	0.32	Cu
P - Process	6.10 - 6.20	0.24	Cu
D - Discharge	6.10 - 6.20	0.24	Cu

