

**220-240V 50Hz 1~****GENERAL DATA****Application:** HBP**Refrigerant:** R134a**Evaporating Temperature Range:** -15°C to 10°C**Compressor Cooling:** Fan**Fan air flow:** 800 m3/h**Maximum Condensing Pressure - Operating:** 13.92 bar**Maximum Condensing Pressure - Peak:** 15.62 bar**Type:** Hermetic reciprocating**Technology Type:** On-Off**Expansion Device:** Capillary Tube or Expansion Valve**Packing Quantity:** Single - 1 pc**Displacement:** 34.4 cm3**Horse power:** 1 hp
**Approvals:**





**MECHANICAL DATA****Bore:** 42.85 mm**Stroke:** 23.85 mm**Oil Charge:** 750ml +/-15ml**Free Internal Volume:** 3.9 cm3**Maximum Recommended Refrigerant Charge:** 800 ml**Oil Type Configuration:** Polyolester**Oil Type Viscosity:** ISO22**Compressor pressurization:** Dry air charge**Weight:** 20.5 kg**ELECTRICAL DATA****Motor Type:** CSR**Starting Torque:** HST**Voltage working range at 50 Hz:** 198-254 V**Maximum Motor Temperature:** 130 °C**Start Winding Resistance:** 8.7 Ω (± 10%) at 25°C**Run Winding Resistance:** 2 Ω (± 10%) at 25°C**MOUNTING ACCESSORIES**

	Description	Code
<b>Cover:</b>	yes	2075281
<b>Terminal Board:</b>	no	-
<b>Anchorage:</b>	no	-
<b>Overload Protector Bracket:</b>	no	-
<b>Capacitor Bracket:</b>	no	-
<b>Grommets:</b>	yes	2221004
<b>Sleeves:</b>	yes	2222016
<b>Washer:</b>	no	-
<b>Pin:</b>	no	-
<b>Clip:</b>	no	-
<b>Rotolock valve:</b>	no	-

**ELECTRICAL COMPONENTS**

	Component type	Description	Code
<b>Starting Device:</b>	Potential relay	RVA4M3C-109	1253012
<b>Motor Protection:</b>	External 3/4"	T0335/C9	2289022
<b>Start Capacitor:</b>		72-88 MFD 330V	2252270
<b>Run Capacitor:</b>		17.5 MFD	2253311
<b>CSR / CSIR Box:</b>	yes		1262273

**EXTERNAL CHARACTERISTICS****Base Plate:** LARGE**Tray Holder:** No**Height:** 253 mm

	Internal Diameter (mm)	Material	Shape
<b>Suction Connector</b>	9.6	Copper	Vertical
<b>Discharge Connector</b>	8	Copper	Slanted 65°
<b>Process Connector</b>	6.42	Copper	Vertical



**RATED POINT DATA**

Cooling Capacity (W)	Power Consumption (W)	Current Consumption (A)	Gas Flow Rate (kg/h)	Efficiency (w/W)
±5%	±5%	±5%	±5%	±7%
882	1 232	5.90	66.30	0.72

**Test condition:** ASHRAE, Fan, Return Gas 35°C, Subcooling 8.3K, Evaporating: 7.2°C, Condensing: 54°C, Ambient: 35°C

**PERFORMANCE CURVE DATA**

**220V 50Hz**

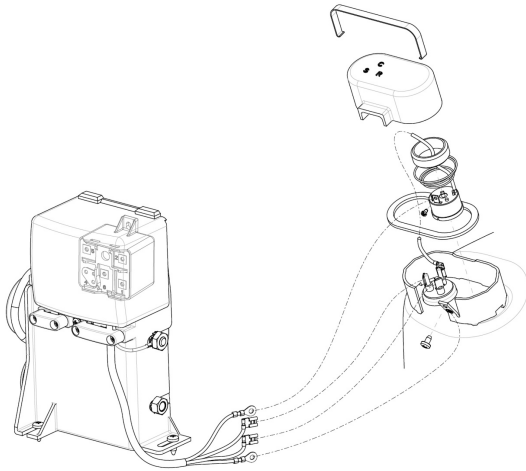
Condensing Temperature (°C)	Evaporating Temperature (°C)	Cooling Capacity (W)	Power Consumption (W)	Current Consumption (A)	Gas Flow Rate (kg/h)	Efficiency (w/W)
		±5%	±5%	±5%	±5%	±7%
<b>35°C</b>	10	4 546	1 064	5.17	85.90	4.27
	5	3 828	992	4.86	71.86	3.86
	0	3 198	922	4.56	59.69	3.47
	-5	2 656	851	4.26	49.34	3.12
	-10	2 202	780	3.97	40.76	2.82
	-15	1 836	708	3.68	33.90	2.59

Condensing Temperature (°C)	Evaporating Temperature (°C)	Cooling Capacity (W)	Power Consumption (W)	Current Consumption (A)	Gas Flow Rate (kg/h)	Efficiency (w/W)
		±5%	±5%	±5%	±5%	±7%
<b>45°C</b>	10	3 915	1 183	5.70	80.02	3.31
	5	3 281	1 091	5.29	66.64	3.01
	0	2 714	998	4.88	54.82	2.72
	-5	2 213	906	4.48	44.48	2.44
	-10	1 778	813	4.10	35.58	2.19
	-15	1 410	719	3.72	28.07	1.96

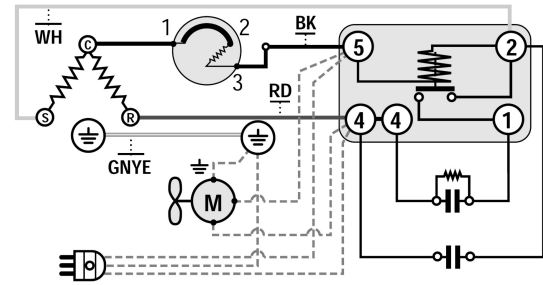
Condensing Temperature (°C)	Evaporating Temperature (°C)	Cooling Capacity (W)	Power Consumption (W)	Current Consumption (A)	Gas Flow Rate (kg/h)	Efficiency (w/W)
		±5%	±5%	±5%	±5%	±7%
<b>55°C</b>	10	3 258	1 308	6.25	72.82	2.49
	5	2 711	1 193	5.72	60.13	2.27
	0	2 209	1 078	5.21	48.66	2.05
	-5	1 750	963	4.71	38.36	1.82
	-10	1 336	847	4.23	29.17	1.58

**Test condition:** ASHRAE, Fan, Return Gas 35°C, Subcooling 8.3K, Evaporating: 7.2°C, Condensing: 54°C, Ambient: 35°C

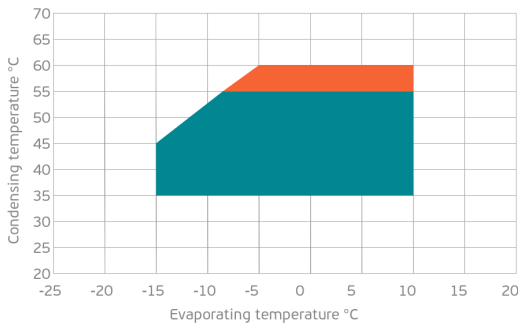
**ASSEMBLY INSTRUCTION**



**WIRING DIAGRAM**

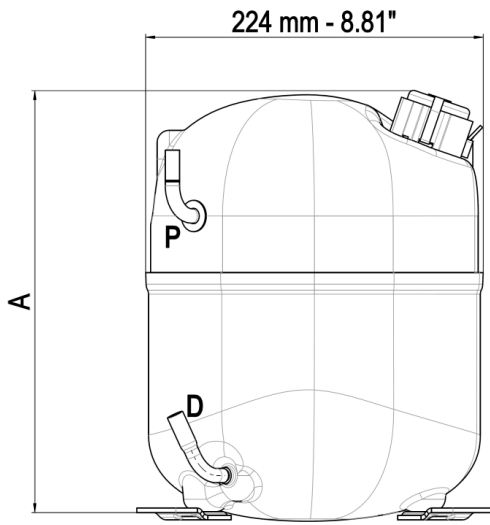


**OPERATING ENVELOPE**



- Operating Condition
- Transient Condition
- Superheating

**NOTE:** usage of compressors outside of intended working range cannot make use of the warranty, or should be consulted with Technical support.



	∅ mm	∅ in	material
<b>S - Suction</b>	9.60 - 9.67	3/8	Cu
	12.77 - 12.85	1/2	Cu
<b>P - Process</b>	6.42 - 6.50	1/4	Cu
<b>D - Discharge</b>	6.42 - 6.50	1/4	Cu
	8.00 - 8.08	5/16	Cu

