

380-420V 50Hz / 440-480V 60Hz 3~



GENERAL DATA

Application: M/HBP
Refrigerant: R404A
Compressor Cooling: Fan
Fan air flow: 800 m3/h
Maximum Condensing Pressure - Operating: 24.71 bar
Maximum Condensing Pressure - Peak: 27.71 bar
Type: Hermetic reciprocating
Technology Type: On-Off
Expansion Device: Capillary Tube or Expansion Valve
Packing Quantity: Single - 1 pc
Displacement: 21.7 cm3
Horse power: 1 hp

Approvals: **CE**

MECHANICAL DATA

Bore: 38.09 mm
Stroke: 19.07 mm
Oil Charge: 750ml +/-15ml
Free Internal Volume: 3.9 cm3
Maximum Recommended Refrigerant Charge: 800 ml
Oil Type Configuration: Polyolester
Oil Type Viscosity: ISO22
Compressor pressuriazation: Dry air charge
Weight: 19.2 kg

ELECTRICAL DATA

Motor Type: 3PHASE
Starting Torque: HST
Voltage working range at 50 Hz: 332-445 V
Voltage working range at 60 Hz: 396-509 V
Maximum Motor Temperature: 130 °C
Run Winding Resistance: 18.67 Ω (± 10%) at 25°C

MOUNTING ACCESSORIES

	Description	Code
Cover:	yes	2075281
Terminal Board:	no	-
Anchorage:	no	-
Overload Protector Bracket:	no	-
Capacitor Bracket:	no	-
Grommets:	yes	2221004
Sleeves:	yes	2222016
Washer:	no	-
Pin:	no	-
Clip:	no	-
Rotolock valve:	no	-

ELECTRICAL COMPONENTS

	Component type	Description	Code
Motor Protection:	Internal		34HM273

EXTERNAL CHARACTERISTICS

Base Plate: LARGE
Tray Holder: No
Height: 265 mm

	Internal Diameter (mm)	Material	Shape
Suction Connector	9.6	Copper	Vertical
Discharge Connector	8	Copper	Slanted 65°
Process Connector	6.42	Copper	Vertical

RATED POINT DATA

Cooling Capacity (W)	Power Consumption (W)	Current Consumption (A)	Gas Flow Rate (kg/h)	Efficiency (w/W)
±5%	±5%	±5%	±5%	±7%
858	1 381	2.45	81.66	0.62

Test condition: ASHRAE, Fan, Return Gas 35°C, Subcooling 8.3K, Evaporating: 7.2°C, Condensing: 54°C, Ambient: 35°C

PERFORMANCE CURVE DATA

380V 50Hz

Condensing Temperature (°C)	Evaporating Temperature (°C)	Cooling Capacity (W)	Power Consumption (W)	Current Consumption (A)	Gas Flow Rate (kg/h)	Efficiency (w/W)
		±5%	±5%	±5%	±5%	±7%
35°C	10	4 729	1 082	2.05	107.51	4.37
	5	3 970	1 040	1.97	89.29	3.82
	0	3 291	990	1.89	73.30	3.32
	-5	2 693	931	1.81	59.46	2.89
	-10	2 176	860	1.72	47.69	2.53
	-15	1 740	778	1.62	37.89	2.24
	-20	1 384	681	1.51	29.98	2.03

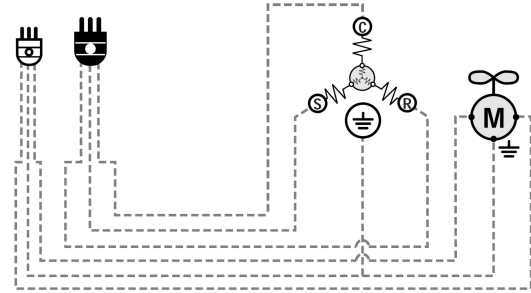
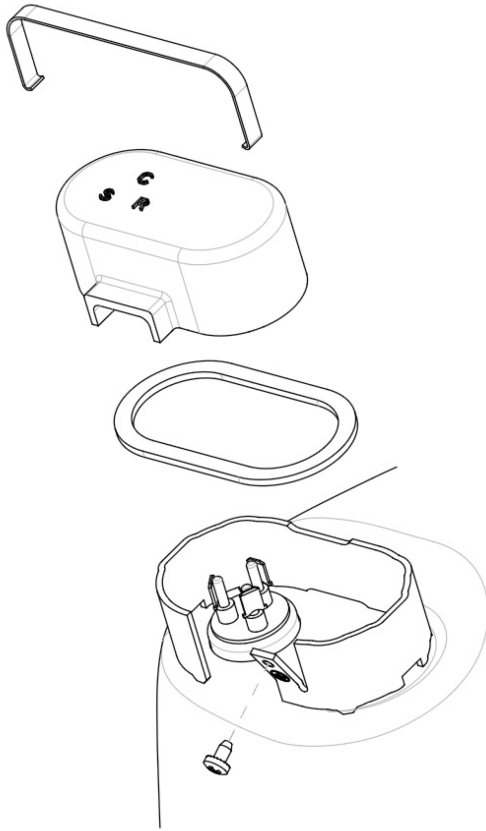
Condensing Temperature (°C)	Evaporating Temperature (°C)	Cooling Capacity (W)	Power Consumption (W)	Current Consumption (A)	Gas Flow Rate (kg/h)	Efficiency (w/W)
		±5%	±5%	±5%	±5%	±7%
45°C	10	3 899	1 266	2.30	98.29	3.08
	5	3 265	1 196	2.18	81.35	2.73
	0	2 702	1 120	2.07	66.60	2.41
	-5	2 210	1 039	1.95	53.95	2.13
	-10	1 789	949	1.83	43.31	1.88
	-15	1 439	851	1.70	34.61	1.69
	-20	1 161	742	1.56	27.76	1.57

Condensing Temperature (°C)	Evaporating Temperature (°C)	Cooling Capacity (W)	Power Consumption (W)	Current Consumption (A)	Gas Flow Rate (kg/h)	Efficiency (w/W)
		±5%	±5%	±5%	±5%	±7%
55°C	10	3 164	1 458	2.57	90.04	2.17
	5	2 643	1 351	2.41	74.28	1.96
	0	2 184	1 242	2.25	60.66	1.76
	-5	1 787	1 130	2.09	49.11	1.58
	-10	1 452	1 013	1.93	39.53	1.43

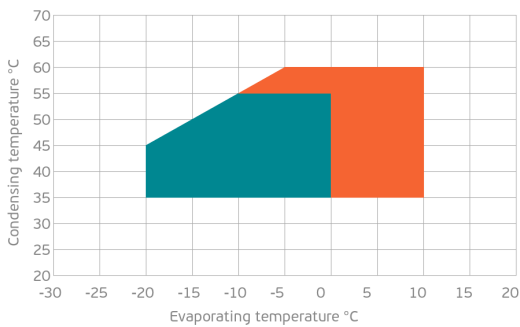
Test condition: ASHRAE, Fan, Return Gas 35°C, Subcooling 8.3K, Evaporating: 7.2°C, Condensing: 54°C, Ambient: 35°C

ASSEMBLY INSTRUCTION

WIRING DIAGRAM

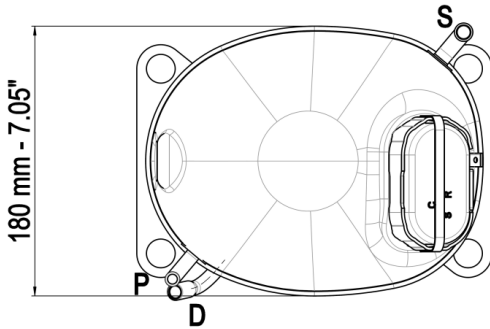
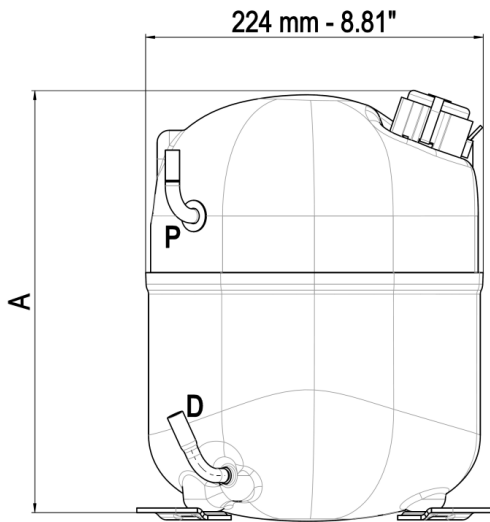


OPERATING ENVELOPE

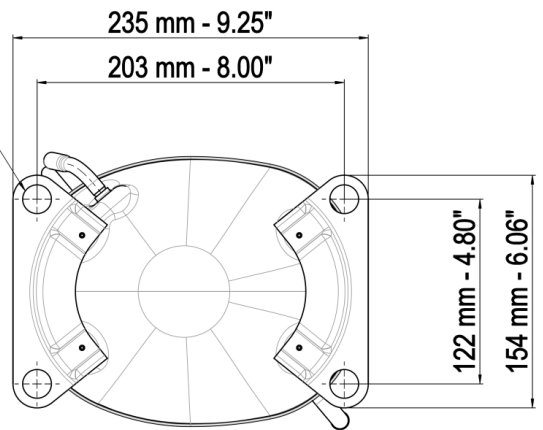


- Operating Condition
- Transient Condition
- Superheating

NOTE: usage of compressors outside of intended working range cannot make use of the warranty, or should be consulted with Technical support.



Ø 19 mm - 0.75" (x4)



	Ø mm	Ø in	material
S - Suction	9.60 - 9.67	3/8	Cu
	12.77 - 12.85	1/2	Cu
P - Process	6.42 - 6.50	1/4	Cu
D - Discharge	6.42 - 6.50	1/4	Cu
	8.00 - 8.08	5/16	Cu