



Reguladores electrónicos de velocidad
Electronic speed controllers
Variateurs de vitesse électroniques
Elektronische Drehzahlsteller Wechselstrom
Reguladores electrónicos monofásicos
Elektronische enkelfasige regelaars
Regolatori di velocità
Regulatory thyristorowe
Elektroniska varvtalsregulatorer
REB-1N / REB-2,5N / REB-1NE / REB-2,5NE



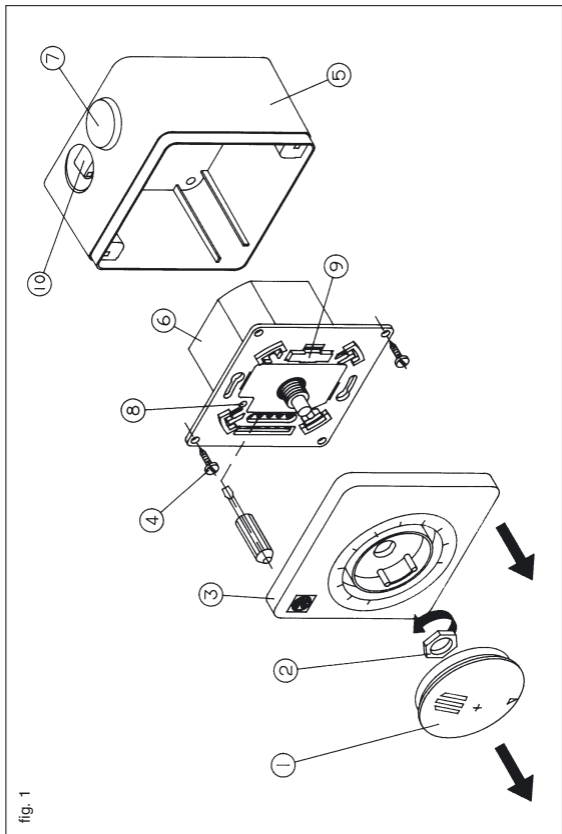
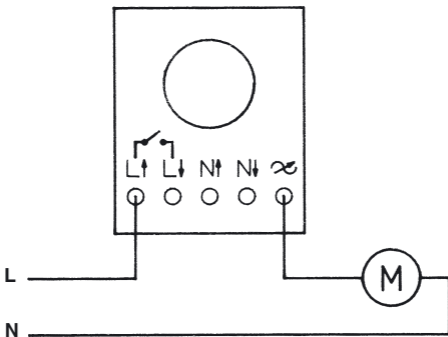
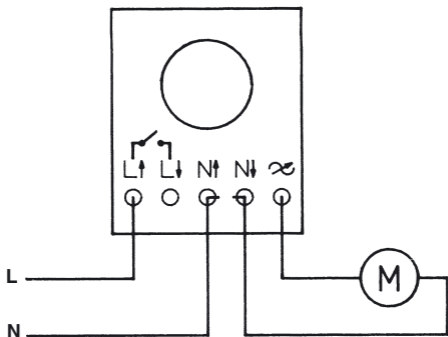


fig. 1

fig. 2



English

The REB are electronic speed controllers designed to be used with single phase motors suitable for electronic speed control.

They have been manufactured to the rigorous standards of production and quality as laid down by the international quality standard ISO 9001. All the components have been checked and all the regulators have been tested at the end of the manufacturing process.

We recommend you to check the following before installing the speed controller:

- 1- That it is the correct type
- 2- That the details on the rating plate are those you require:

Voltage, frequency, maximum intensity...

The installation must be in accordance with the electrical standards and regulations in force in your country.

Fitting and electrical connection

Before installing the speed controller, ensure that the main supply is disconnected.

Wall mounting models: REB-1N and REB-2,5N (see fig. 1)

Take off the speed control knob

(1) by hand, or ease gently with a screwdriver positioned under the knob, loosen the nut (2) and remove the front cover (3).

Loosen the fixing screws (4) and release the speed control (6) from the base (5).

Used the base (5) to mark on the wall the position of the fixing holes and drill them. Fix the base with appropriate wall plugs and screws. Make a hole in the cable entries (7). Pass the electrical cables through the cable entries and connect them to the speed controller (6) as indicated on the electrical wiring diagram (fig. 2). Introduce the cables through the clamp. Re-assemble the speed controller (6) in the base (5).

Before replacing the front cover (3), adjust the minimum output voltage of the controller. This adjustment is very important to avoid a minimum output voltage less than that required the motor.

Too low a minimum voltage can damage the motor.

To adjust the minimum speed, proceed as follows:

- Replace the speed controller knob (1) on its shaft and turn clockwise to the minimum setting position.
- Turn the adjustment screw (8) to set the minimum speed of the fan,

making sure that the fan motor can start from a stationary position at the minimum voltage selected.

Once the minimum speed has been selected, replace the front cover (3), the nut (2) and the speed controller knob (1).

Flush mounting models: REB-1NE and REB-2,5NE (see fig. 1)

The flush mounting models are similar to the wall mounting models excepted that they are provided without the base (5). They can be fitted in any standard box.

Follow the same instructions given for the wall mounting models to install and adjust the flush mounting speed controller.

Change of fuse

The speed controllers are provided with a spare fuse. To change it, take off the speed control knob (1) by hand, or ease gently with a screwdriver positioned under the knob, loosen the nut (2) and remove the front cover (3). Pull out the fuse support (9), and replace with the new fuse.

Uses only a rapid ceramic type fuse.

Technical characteristic

REB-1N and REB-1NE

Supply voltage:

220-240 V ~ 50 Hz

Maximum current: 1 A

Type of fuses: rapid ceramic fuse

REB-2,5N and REB-2,5NE

Supply voltage:

220-240 V ~ 50 Hz

Maximum current: 2,5 A

Type of fuses: rapid ceramic fuse.

S&P reserve the right to modify these instructions without notice.