

Condensing unit  
Voltage Code : TZ

# TAGT2516ZBR-TZ

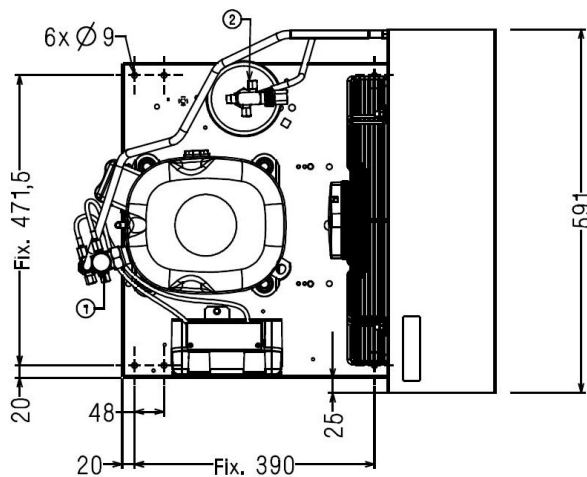
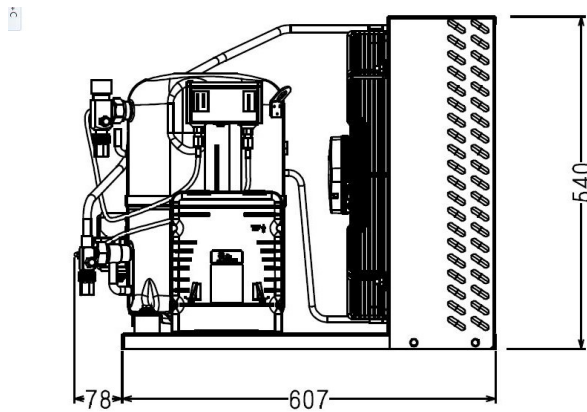
Low Temp. Commercial (BP)

400V 3~ 50Hz / 440V 3~ 60 Hz

R452A / R404A / R448A / R449A

TAGT2516ZBR-TZ

Conditions	Frequency	Nominal Cooling Capacity		Sound Power ISO3745 / ISO 3743-1
		Watts	BTU/h	
EN13215 / R452A	50 Hz / 60 Hz	1992 / 2083	6792 / 7102	81 dBA
EN13215 / R404A	50 Hz / 60 Hz	2361 / 2512	8052 / 8566	81 dBA
EN13215 / R448A	50 Hz / 60 Hz	1580 / 1626	5389 / 5543	81 dBA
EN13215 / R449A	50 Hz / 60 Hz	1581 / 1626	5392 / 5546	81 dBA



\* EN13215 : T°Ambient 32.0°C / T°Evap. -35.0°C / T°Return gas temp.. 20.0°C  
T°Subcooling. 3.0K

<b>Net Weight (Kg)</b>	79.0
<b>Expansion device</b>	Expansion_Valve
<b>Air Flow (m³/h)</b>	3300 / 3650
<b>Compo Data Sheet</b>	2564
<b>Elec Comp Type</b>	TRI
<b>Current (Amp)</b>	
Load Rated Amp	5.6   5.7
Max Cont Current	10.2   10.3
Lock Rotor Amp	43   43
<b>Fan</b>	
Speed (rpm)	1360 / 1520
Power (W)	280.0
Diameter (mm)	420
Protection	Overload
IP Level	IP54
<b>Condenser</b>	M420/24000
<b>Liquid Receiver</b>	
Capacity (L)	2.35
Maximum Pressure (Bars)	32.0
<b>Suction Line</b>	
Suction Type	Vanne Orientable
For Tubing Out Diam	22.2 (7/8")
Suction Connection Type	Brased
<b>Liquid Line</b>	
Liquid Line Type	Vanne Orientable
For Tubing Out Diam	9.5 (3/8")
Liquid Connecton Type	Brased
<b>Connection Type</b>	VR
<b>Fan Guard</b>	maille < à 8mm

Note : Tecumseh reserves the right to change information contained in this document without notification.



**Tecumseh**

<b>TAGT2516ZBR-TZ</b>	<b>Tension TZ : 400V 3~ 50Hz / 440V 3~ 60 Hz</b>
-----------------------	--------------------------------------------------

Les performances sont données dans les <b>conditions EN13215</b> :	Gaz aspirés :	20.0 °C
Condition Dew	Sous refroidissement :	3.0 K
The performance data are in <b>EN13215 conditions</b> :	Return gas :	20.0 °C
Dew Condition	Subcooling :	3.0 K

<b>50 Hz R404A</b>									
<b>N°6728</b>									
5   T ambience	6   T évaporation	(°C)	<b>-40</b>	<b>-35</b>	<b>-30</b>	<b>-25</b>	<b>-20</b>	<b>-15</b>	<b>-10</b>
<b>25</b>	1   P frigorifique	(Watt)	1973	2816	3806	4927	6164	7497	8905
	2   P absorbée	(W)	1661	2004	2371	2768	3202	3678	4201
	3   I absorbée	(A)	4.70	4.94	5.31	5.79	6.42	7.17	8.06
	4   Tc	(°C)	27.4	29.0	31.0	33.2	35.8	38.5	41.5
<b>32</b>	1   P frigorifique	(Watt)	1588	2361	3261	4277	5395	6600	7878
	2   P absorbée	(W)	1612	1976	2362	2777	3228	3720	4259
	3   I absorbée	(A)	4.59	4.89	5.30	5.83	6.49	7.28	8.21
	4   Tc	(°C)	33.8	35.2	37.0	39.1	41.5	44.0	46.8
<b>43</b>	1   P frigorifique	(Watt)	1001	1664	2423	3274	4207	5214	6289
	2   P absorbée	(W)	1486	1883	2303	2749	3230	3750	4315
	3   I absorbée	(A)	4.37	4.76	5.26	5.87	6.60	7.45	8.43
	4   Tc	(°C)	43.8	45.0	46.6	48.4	50.5	52.7	55.1

<b>60 Hz R404A</b>									
<b>N°6728</b>									
5   T ambience	6   T évaporation	(°C)	<b>-40</b>	<b>-35</b>	<b>-30</b>	<b>-25</b>	<b>-20</b>	<b>-15</b>	<b>-10</b>
<b>25</b>	1   P frigorifique	(Watt)	2137	3124	4242	5476	6808	8219	9689
	2   P absorbée	(W)	1931	2343	2778	3247	3760	4326	4954
	3   I absorbée	(A)	4.53	4.97	5.44	5.98	6.58	7.26	8.05
	4   Tc	(°C)	32.3	33.7	35.6	37.7	40.1	42.7	45.5
<b>32</b>	1   P frigorifique	(Watt)	1583	2512	3553	4694	5919	7213	8562
	2   P absorbée	(W)	1768	2229	2706	3212	3758	4353	5006
	3   I absorbée	(A)	4.36	4.84	5.36	5.94	6.58	7.30	8.11
	4   Tc	(°C)	38.9	40.3	41.9	43.9	46.1	48.5	51.1
<b>43</b>	1   P frigorifique	(Watt)	745	1567	2476	3461	4513	5622	6783
	2   P absorbée	(W)	1358	1915	2475	3055	3666	4319	5023
	3   I absorbée	(A)	3.92	4.50	5.11	5.76	6.47	7.26	8.14
	4   Tc	(°C)	49.4	50.5	51.9	53.6	55.6	57.7	59.9

**1 = cooling capacity 2 = power input 3 = current 4 = condensing temperature 5 = ambient temperature 6 = evaporating temperature**

**Nota : Tecumseh se réserve le droit de modifier les informations contenues dans ce document sans préavis.**

**Note : Tecumseh reserves the right to change information contained in this document without notification.**

© 2019 Tecumseh Products Company  
All rights reserved