

SC21CL LBP Compressor R404A/R507 220-240V 50Hz

General

| | |
|-----------------------|---------------|
| Code number | 104L2322 |
| Approvals | EN 60335-2-34 |
| Compressors on pallet | 80 |

Application

| Application | LBP | | |
|--|-----|------------|----|
| Frequency | Hz | 50 | 60 |
| Evaporating temperature | °C | -45 to -10 | - |
| Voltage range | V | 198 - 254 | - |
| Max. condensing temperature continuous (short) | °C | 55 (60) | - |
| Max. winding temperature continuous (short) | °C | 125 (135) | - |

Cooling requirements

| Frequency | Hz | 50 | | | 60 | | |
|-------------------------|----|----------------|-----|-----|-----|-----|-----|
| Application | | LBP | MBP | HBP | LBP | MBP | HBP |
| 32°C | | F ₂ | - | - | - | - | - |
| 38°C | | F ₂ | - | - | - | - | - |
| 43°C | | - | - | - | - | - | - |
| Remarks on application: | | | | | | | |

Motor

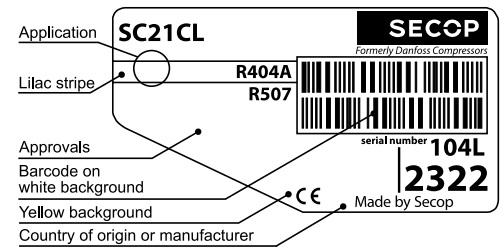
| Motor type | CSR | | |
|---|-----|------|------|
| LRA (rated after 4 sec. UL984), HST LST | A | 23.4 | - |
| Cut in Current, HST LST | A | 23.4 | - |
| Resistance, main start winding (25°C) | Ω | 3.4 | 14.4 |

Design

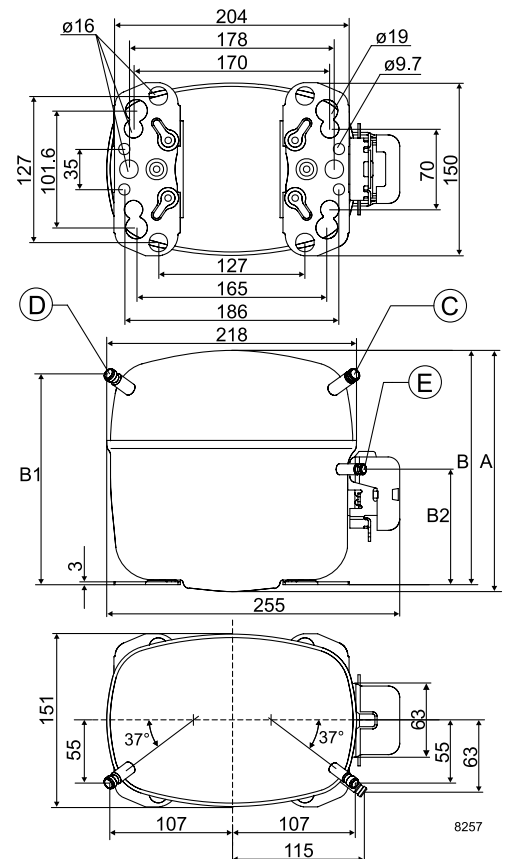
| | | |
|-------------------------------------|-----------------|-------------------|
| Displacement | cm ³ | 20.95 |
| Oil quantity (type) | cm ³ | 600 (polyolester) |
| Maximum refrigerant charge | g | 1300 |
| Free gas volume in compressor | cm ³ | 1460 |
| Weight without electrical equipment | kg | 14.0 |

Dimensions

| | | | |
|----------------------|--------------------------|----|--------------------------|
| Height | mm | A | 219 |
| | | B | 213 |
| | | B1 | 193 |
| | | B2 | 110 |
| Suction connector | location/I.D. mm angle | C | 10.2 37° |
| | material comment | | Cu-plated steel Al cap |
| Process connector | location/I.D. mm angle | D | 6.2 37° |
| | material comment | | Cu-plated steel Al cap |
| Discharge connector | location/I.D. mm angle | E | 6.2 37° |
| | material comment | | Cu-plated steel Al cap |
| Oil cooler connector | location/I.D. mm angle | F | - |
| | material comment | | - |
| Connector tolerance | I.D. mm | | ±0.09 |
| Remarks: | | | |



- S = Static cooling normally sufficient
- O = Oil cooling
- F₁ = Fan cooling 1.5 m/s (compressor compartment temperature equal to ambient temperature)
- F₂ = Fan cooling 3.0 m/s necessary
- SG = Suction gas cooling normally sufficient
- = not applicable in this area

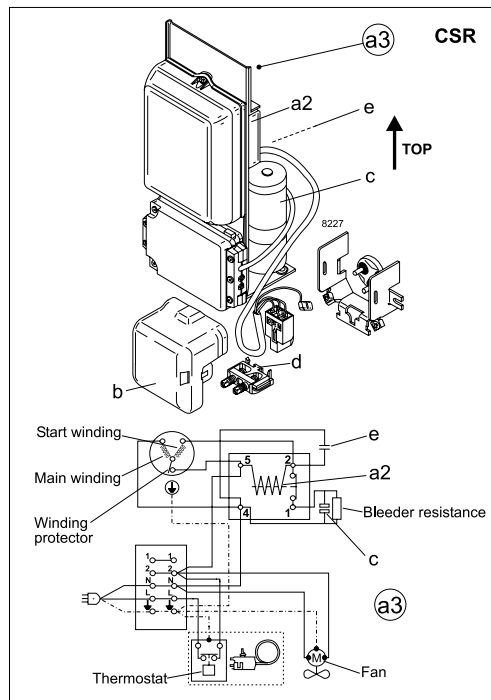


EN 12900 Household (CECOMAF) 220V, 50Hz, fan cooling F₂

| | | | | | | | | | | | | | | | | | |
|--------------------|------|------|------|------|------|-------|------|------|------|------|----|---|---|-----|----|----|----|
| Evap. temp. in °C | -45 | -40 | -35 | -30 | -25 | -23.3 | -20 | -15 | -10 | -6.7 | -5 | 0 | 5 | 7.2 | 10 | 15 | 20 |
| Capacity in W | 226 | 325 | 455 | 617 | 813 | 887 | 1042 | 1306 | 1606 | | | | | | | | |
| Power cons. in W | 400 | 462 | 534 | 615 | 702 | 733 | 795 | 891 | 989 | | | | | | | | |
| Current cons. in A | 2.40 | 2.63 | 2.94 | 3.31 | 3.71 | 3.86 | 4.14 | 4.58 | 5.00 | | | | | | | | |
| COP in W/W | 0.57 | 0.70 | 0.85 | 1.00 | 1.16 | 1.21 | 1.31 | 1.47 | 1.62 | | | | | | | | |

ASHRAE LBP 220V, 50Hz, fan cooling F₂

| | | | | | | | | | | | | | | | | | |
|--------------------|------|------|------|------|------|-------|------|------|------|------|----|---|---|-----|----|----|----|
| Evap. temp. in °C | -45 | -40 | -35 | -30 | -25 | -23.3 | -20 | -15 | -10 | -6.7 | -5 | 0 | 5 | 7.2 | 10 | 15 | 20 |
| Capacity in W | 263 | 378 | 529 | 719 | 947 | 1033 | 1215 | 1524 | 1876 | | | | | | | | |
| Power cons. in W | 400 | 462 | 534 | 615 | 702 | 733 | 795 | 891 | 989 | | | | | | | | |
| Current cons. in A | 2.40 | 2.63 | 2.94 | 3.31 | 3.71 | 3.86 | 4.14 | 4.58 | 5.00 | | | | | | | | |
| COP in W/W | 0.66 | 0.82 | 0.99 | 1.17 | 1.35 | 1.41 | 1.53 | 1.71 | 1.90 | | | | | | | | |



| Accessories for | SC21CL | Figure | Code number | Test conditions | EN 12900/CECOMAF | ASHRAE LBP |
|------------------------|-------------------------|--------|-------------------------------|-----------------------------|------------------|--------------------|
| Starting device | 470 mm cable length | a3 | 117-7012 | Condensing temperature | 45°C | 45°C |
| | 550 mm cable length | | 117-7027 | Ambient temperature | 32°C | 32°C |
| | 650 mm cable length | | 117-7046 | Suction gas temperature | 32°C | 32°C |
| | 1000 mm cable length | | 117-7040 | Liquid temperature | no subcooling | 32°C |
| Cover | | b | 103N2009 | | | |
| Starting relay | 6.3 mm spade connectors | a2 | Components of starting device | Mounting accessories | | Code number |
| Start. capacitor 80 µF | 6.3 mm spade connectors | c | | Bolt joint for one comp. | Ø: 16 mm | 118-1917 |
| Run capacitor 10 µF | 6.3 mm spade connectors | e | | Bolt joint in quantities | Ø: 16 mm | 118-1918 |
| Cord relief | | d | 103N1004 | Snap-on in quantities | Ø: 16 mm | 118-1919 |

Danfoss can accept no responsibility for possible errors in catalogues, brochures and other printed material. Danfoss reserves the right to alter its products without notice. This also applies to products already on order provided that such alterations can be made without subsequential changes being necessary in specifications already agreed. All trademarks in this material are property of the respective companies. Danfoss and the Danfoss logotype are trademarks of Danfoss A/S. All rights reserved.