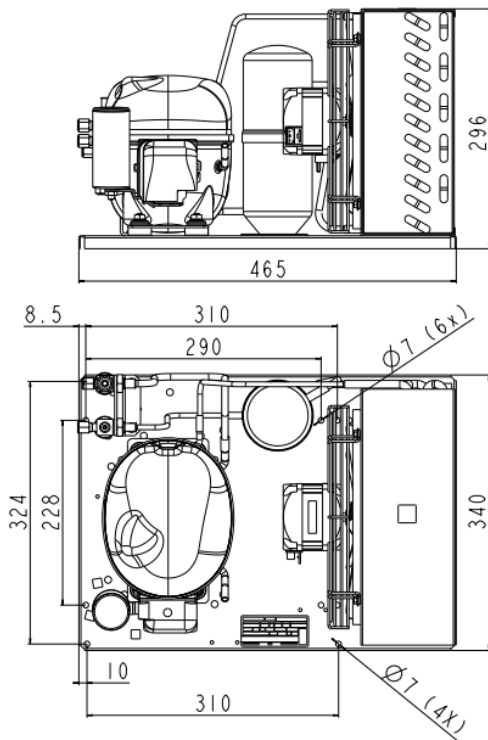


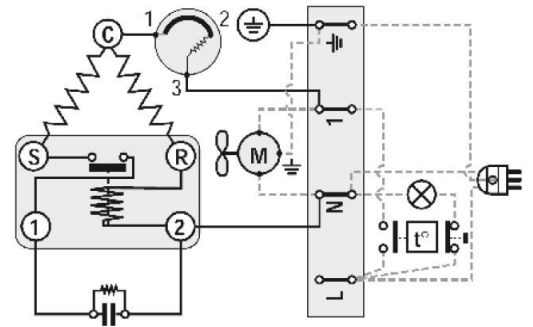
### GENERAL DATA

<b>Application:</b>	M/HBP
<b>Refrigerant:</b>	R404A
<b>Expansion Device:</b>	C-V
<b>Weight:</b>	22.6 kg
<b>Receiver:</b>	1.1 liter
<b>Voltage/Frequency:</b>	220 - 240 V 50 ~
<b>Height:</b>	22.6 mm
<b>Length:</b>	465 mm
<b>Width:</b>	340 mm
<b>Institute Approvals:</b>	<b>CE</b>

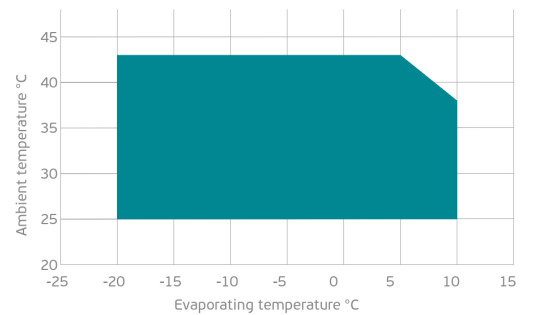
### EXTERNAL DIMENSIONS



### WIRING DIAGRAM



### OPERATING ENVELOPE



### COMPONENTS (SPARE PARTS)

<b>condenser:</b>	3R11T	2451206
<b>valve_suca:</b>	FLARE 3/8"	2110059
<b>compressor:</b>	NEK6213GK	959BA51..AN

<b>fankit:</b>	16W 254/28°/5B	1996579
<b>valve_disch:</b>	FLARE 1/4"	2110085
<b>elkit:</b>	ELKOM NEK6213GK	959BA51N1A

For additional accessories please contact our technical support

### ELECTRICAL DATA

Motor Type:	CSIR -
Locked Rotor Amperage (RLA):	19.3 A
Max.Current:	5.97 A

At maximum evaporating temperature and maximum ambient temperature.

### FAN MOTOR

Number:	1 -
Shaft Power:	16 W
Air Flow:	595 m <sup>3</sup> /hod
Blade Diameter:	254 mm

### PERFORMANCE CURVE DATA

Standard: EN13215-RG20 / return gas 20°C, subcooling 3K

50 Hz

	Evaporating Temperature (°C)	Cooling Capacity (W)	Power Consumption (W)	Current Consumption (A)	Efficiency (W/W)
25°C Ambient Temperature	10°C	1 665	1 008	5.50	1.65
	5°C	1 501	902	5.06	1.66
	0°C	1 338	808	4.68	1.66
	-5°C	1 178	725	4.35	1.63
	Rated point -10°C	1 019	652	4.09	1.56
	-15°C	861	589	3.88	1.46
	-20°C	705	535	3.73	1.32
32°C Ambient Temperature	10°C	1 524	1 051	5.67	1.45
	5°C	1 368	943	5.22	1.45
	0°C	1 216	847	4.81	1.44
	-5°C	1 068	761	4.47	1.40
	Rated point -10°C	922	686	4.18	1.34
	-15°C	780	620	3.95	1.26
	-20°C	641	564	3.77	1.14
43°C Ambient Temperature	5°C	1 153	1 007	5.46	1.14
	0°C	1 015	902	5.04	1.13
	-5°C	883	807	4.66	1.09
	Rated point -10°C	757	722	4.33	1.05
	-15°C	638	647	4.06	0.99
	-20°C	524	580	3.83	0.90

**CUSTOM POINTS**

Standard: EN13215-RG20 / return gas 20°C, subcooling 3K

50 Hz

	Evaporating Temperature (°C)	Cooling Capacity (W)	Power Consumption (W)	Current Consumption (A)	Efficiency (W/W)
<b>35.0 °C</b> Ambient Temperature	-5°C	1 018	776	4.52	1.31

Out of intended working range, results are only informative.