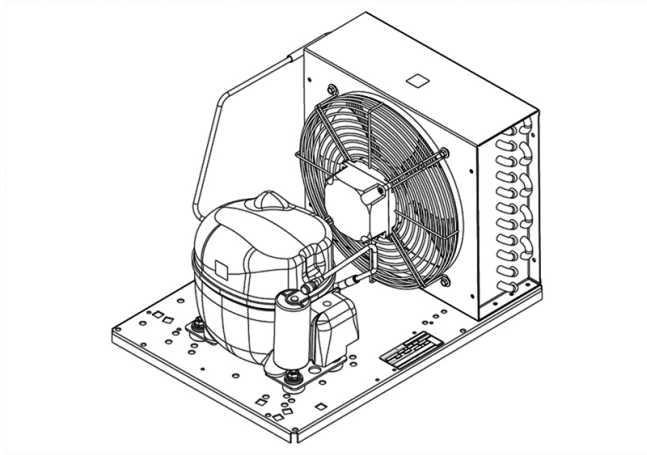


UNEK6213U



CE



ENGINEERING CODE
553CA0012AA

POWER SUPPLY
220-240 V 50 Hz

MOTOR TYPE
CSIR

REFRIGERANT
R-290

APPLICATION
HBP

STANDARD
EN13215_RG20

COOLING CAPACITY
861 W

EFFICIENCY
1.7 W/W

DATA

GENERAL DATA

Model	UNEK6213U
-------	-----------

CONDENSING COMPONENTS

Compressor	NEK6213U	M/HBP
Condenser	3R11T	2451206
Refrigerant	R-290	
Expansion Device	C-V	
Fan Blade Diameter	254	
Fankit	IQ3612 254/28/5P	1996703

MECHANICAL DATA

Air Flow	595 m ³ /h
Height	296 mm
Weight	20 Kg
Width	340 mm
Length	465 mm

PERFORMANCE

TESTED CONDITIONS

Tested Refrigerant	R-290
Tested Application	HBP
Tested Standard	EN13215_RG20

RATED POINTS

Ambient Temperature °C	Evaporating Temperature °C	Cooling Capacity W	Efficiency W/W	Consumo de Potencia W
32	-10	861	1.7	507

Test Condition: Subcooling 3 K, Return Gas 20 °C.

PERFORMANCE CURVE

Ambient Temperature 25°C

Evaporating Temperature °C	Cooling Capacity W	Efficiency W/W	Consumo de Potencia W
-20	643	1.57	410
-15	809	1.79	452
-5	1129	2.13	531
0	1296	2.27	571
5	1476	2.40	614
10	1677	2.54	661

Test Condition: Subcooling 3 K, Return Gas 20 °C.

PERFORMANCE CURVE

Ambient Temperature 32°C

Evaporating Temperature °C	Cooling Capacity W	Efficiency W/W	Consumo de Potencia W
-20	614	1.41	436
-15	735	1.56	470
-5	999	1.82	550
0	1155	1.93	598
5	1337	2.04	655
10	1550	2.15	720

Test Condition: Subcooling 3 K, Return Gas 20 °C.

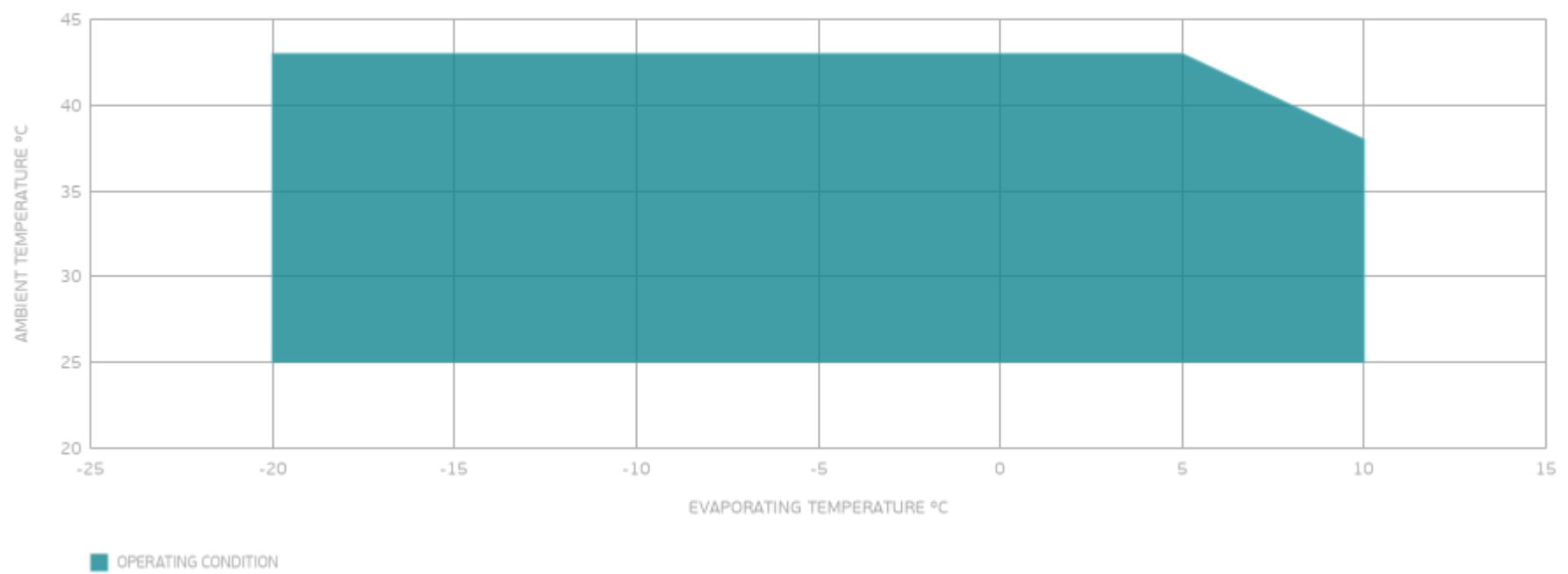
PERFORMANCE CURVE

Ambient Temperature 43°C

Evaporating Temperature °C	Cooling Capacity W	Efficiency W/W	Consumo de Potencia W
-20	495	1.07	462
-15	592	1.19	496
-5	862	1.43	601
0	1049	1.55	675
5	1279	1.67	764

Test Condition: Subcooling 3 K, Return Gas 20 °C.

ENVELOPE



EXTERNAL DIMENSIONS

