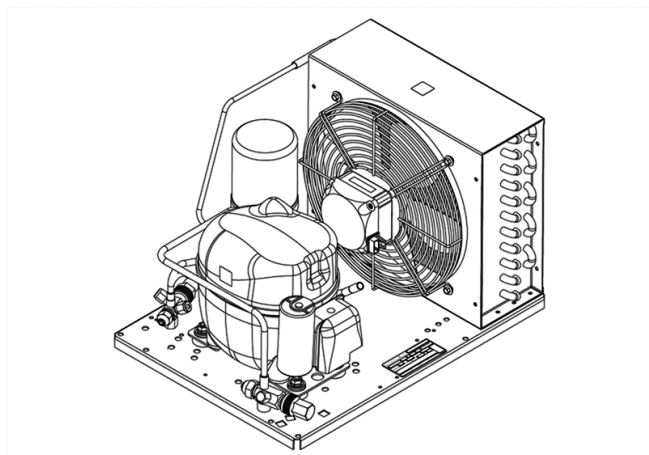


## UNEK6214Z



CE


**ENGINEERING CODE**  
559HA5312AA

**POWER SUPPLY**  
220-240 V 50 Hz

**MOTOR TYPE**  
CSIR

**REFRIGERANT**  
R-134a

**APPLICATION**  
HBP

**STANDARD**  
EN13215\_RG20

**COOLING CAPACITY**  
762 W

**EFFICIENCY**  
1.44 W/W

## DATA

## GENERAL DATA

Model	UNEK6214Z
-------	-----------

## CONDENSING COMPONENTS

Compressor	NEK6214Z	M/HBP
Condenser	3R11T	2451206
Refrigerant	R-134a	
Expansion Device	C-V	
Fan Blade Diameter	254	
Fankit	16W 254/28/5B	1996579

## MECHANICAL DATA

Air Flow	595 m <sup>3</sup> /h
Height	296 mm
Shaft Power	16
Weight	20 Kg
Width	340 mm
Length	465 mm

## PERFORMANCE

### TESTED CONDITIONS

Tested Refrigerant	R-134a
Tested Application	HBP
Tested Standard	EN13215_RG20

### RATED POINTS

Ambient Temperature °C	Evaporating Temperature °C	Cooling Capacity W	Efficiency W/W	Consumo de Potencia W
32	-10	762	1.44	529

Test Condition: Subcooling 3 K, Return Gas 20 °C.

### PERFORMANCE CURVE

Ambient Temperature 25°C

Evaporating Temperature °C	Cooling Capacity W	Efficiency W/W	Consumo de Potencia W
-15	681	1.47	464
-5	1015	1.78	570
0	1210	1.91	634
5	1423	2.02	704
10	1655	2.12	782

Test Condition: Subcooling 3 K, Return Gas 20 °C.

### PERFORMANCE CURVE

Ambient Temperature 32°C

Evaporating Temperature °C	Cooling Capacity W	Efficiency W/W	Consumo de Potencia W
-15	619	1.29	479
-5	923	1.57	587
0	1100	1.68	653
5	1294	1.78	726
10	1505	1.87	806

Test Condition: Subcooling 3 K, Return Gas 20 °C.

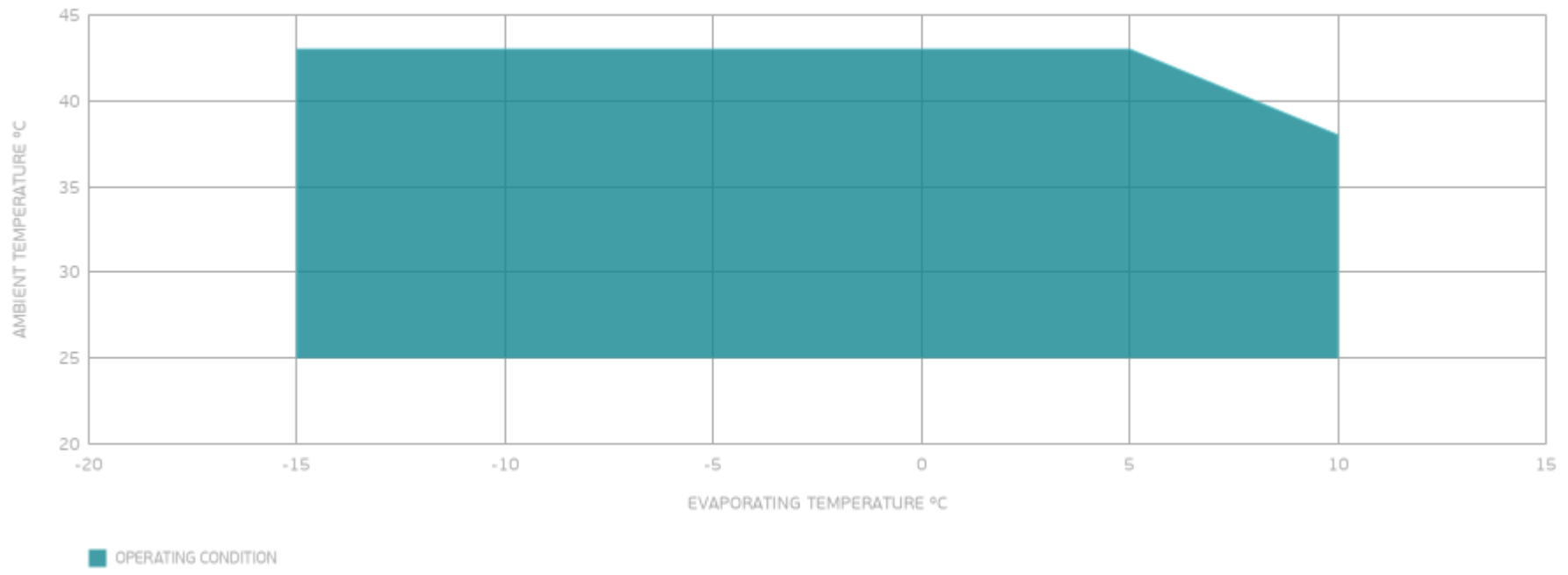
### PERFORMANCE CURVE

Ambient Temperature 43°C

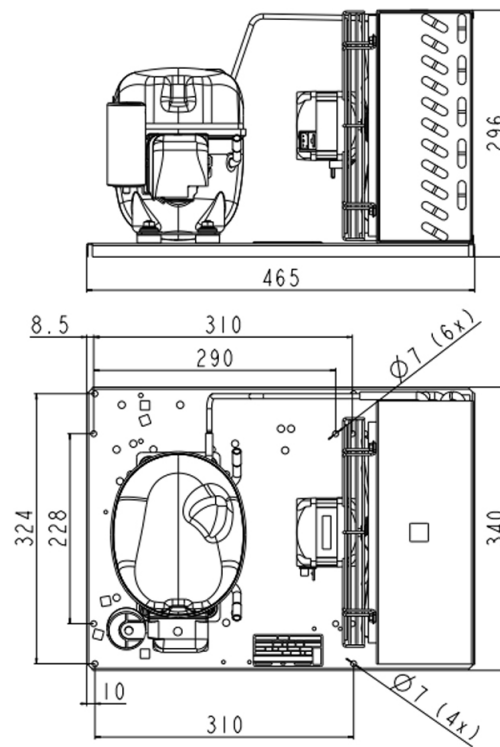
Evaporating Temperature °C	Cooling Capacity W	Efficiency W/W	Consumo de Potencia W
-15	501	1.00	500
-5	766	1.22	628
0	921	1.31	704
5	1089	1.38	788

Test Condition: Subcooling 3 K, Return Gas 20 °C.

## ENVELOPE



## EXTERNAL DIMENSIONS



## WIRING DIAGRAM

