



Compressor
Voltage Code : TZ

TAJ4511Y-TZ

High Temp. Commercial (HP)

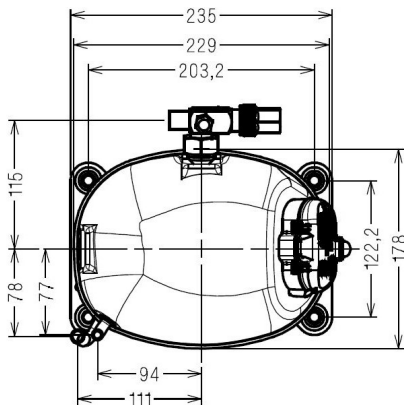
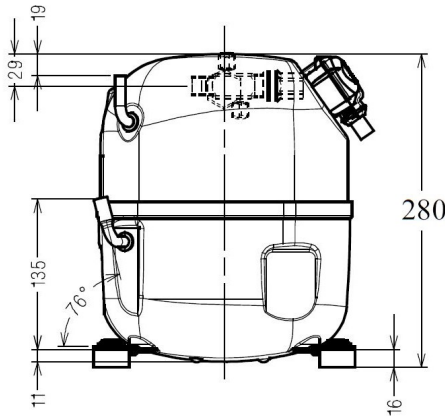


400V 3~ 50Hz / 440V 3~ 60 Hz

R134a

AJ4511Y-TZ1A

Conditions	Frequency	Nominal Cooling Capacity		Sound Power ISO3745 / ISO 3743-1
		Watts	BTU/h	
EN12900 / R134a	50 Hz / 60 Hz	2699 / 3110	9204 / 10605	59 dBA



Displacement (cc)	32.7
Net Weight (Kg)	19.0
Oil Quantity (cc)	475.0
Oil Type	Polyolester
Expansion Device	Capillary_Tube/Expansion_Valve
Cooling	Fan
Main Winding (Ohm)	14.8
Current	
RLA (A)	2.4 2.5
MCC (A)	3.6 3.9
LRA (A)	16.7 17.3
Electrical Equipment	TRI
Overload	Interne
Refrigerating connection for OD	
Suction Tube	15.9 (5/8")
Discharge Tube	7.9 (5/16")
Process Tube	6.35 (1/4")

* EN12900 : T°Cond. 50.0°C / T°Evap. 5.0°C / T°Return gas temp.. 20.0°C
T°Subcooling. 0.0K

Certificates :



Note : Tecumseh reserves the right to change information contained in this document without notification.





Tecumseh

TAJ4511Y-TZ	Tension TZ : 400V 3~ 50Hz / 440V 3~ 60 Hz
--------------------	--

Les performances sont données dans les **conditions EN12900** :
 Condition Dew
 The performance data are in **EN12900 conditions** :
 Dew Condition

Gaz aspirés : 20.0 °C
 Sous refroidissement : 0.0 K
 Return gas : 20.0 °C
 Subcooling : 0.0 K

50 Hz R134a											
 N°214QU-TZ											
4 T condensation	5 T évaporation	(°C)	-25	-20	-15	-10	-5	0	5	10	15
30	1 P frigorifique	(Watt)	779	1090	1454	1882	2381	2963	3635	4408	5290
	2 P absorbée	(W)	478	548	615	680	743	808	874	945	1020
	3 I absorbée	(A)	1.33	1.40	1.47	1.55	1.62	1.70	1.78	1.86	1.94
40	1 P frigorifique	(Watt)	600	892	1227	1614	2063	2584	3184	3875	4664
	2 P absorbée	(W)	480	571	657	739	819	899	979	1062	1149
	3 I absorbée	(A)	1.29	1.39	1.50	1.60	1.71	1.82	1.93	2.04	2.15
50	1 P frigorifique	(Watt)		693	992	1332	1724	2177	2699	3301	3991
	2 P absorbée	(W)		572	681	785	887	986	1085	1185	1288
	3 I absorbée	(A)		1.38	1.51	1.65	1.79	1.93	2.07	2.21	2.36
60	1 P frigorifique	(Watt)			770	1057	1385	1763	2201	2707	3292
	2 P absorbée	(W)			682	814	941	1064	1187	1309	1432
	3 I absorbée	(A)			1.52	1.69	1.86	2.03	2.20	2.38	2.55

60 Hz R134a											
 N°214QU-TZ											
4 T condensation	5 T évaporation	(°C)	-25	-20	-15	-10	-5	0	5	10	15
30	1 P frigorifique	(Watt)	857	1240	1676	2175	2746	3397	4138	4979	5927
	2 P absorbée	(W)	536	649	746	835	921	1011	1111	1228	1368
	3 I absorbée	(A)	1.24	1.34	1.44	1.54	1.65	1.77	1.89	2.01	2.14
40	1 P frigorifique	(Watt)	606	988	1406	1870	2389	2972	3628	4367	5196
	2 P absorbée	(W)	490	648	783	902	1011	1116	1224	1341	1474
	3 I absorbée	(A)	1.21	1.34	1.47	1.61	1.75	1.90	2.05	2.21	2.37
50	1 P frigorifique	(Watt)		697	1104	1539	2013	2533	3110	3753	4470
	2 P absorbée	(W)		593	778	940	1084	1217	1346	1477	1616
	3 I absorbée	(A)		1.31	1.48	1.65	1.82	2.00	2.19	2.38	2.57
60	1 P frigorifique	(Watt)			766	1179	1613	2078	2582	3135	3745
	2 P absorbée	(W)			719	936	1128	1302	1465	1621	1779
	3 I absorbée	(A)			1.46	1.66	1.87	2.08	2.30	2.52	2.75

1 = cooling capacity 2 = power input 3 = current 4 = condensing temperature 5 = evaporating temperature

Nota : Tecumseh se réserve le droit de modifier les informations contenues dans ce document sans préavis.
Note : Tecumseh reserves the right to change information contained in this document without notification.

© 2019 Tecumseh Products Company
All rights reserved