



Compressor
Voltage Code : TZ

TAJ5515C-TZ

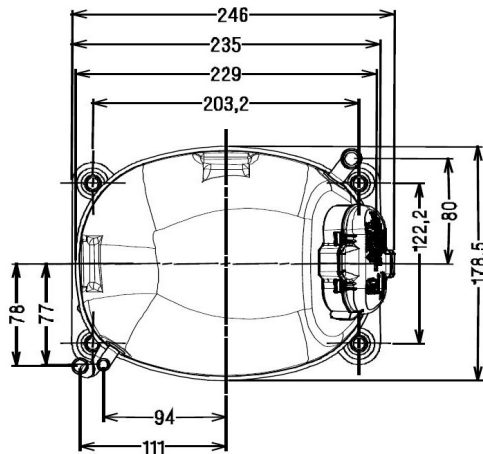
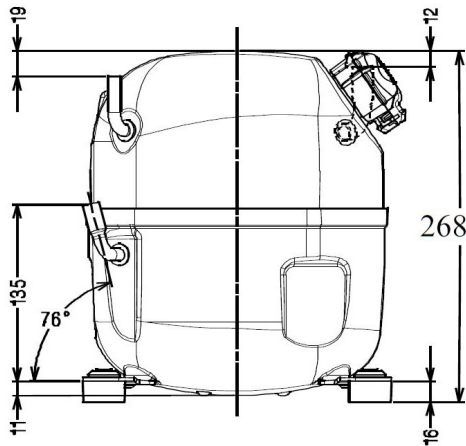
Air Conditioning & Heating (CA)

400V 3~ 50Hz / 440V 3~ 60 Hz

R407C

AJ5515C-TZ1C

Conditions	Frequency	Nominal Cooling Capacity		Sound Power ISO3745 / ISO 3743-1
		Watts	BTU/h	
EN12900 / R407C	50 Hz / 60 Hz	3146 / 3703	10726 / 12627	68 dBA



Displacement (cc)	25.95
Net Weight (Kg)	19.3
Oil Quantity (cc)	475.0
Oil Type	Polyolester
Expansion Device	Capillary_Tube/Expansion_Valve
Cooling	Fan
Main Winding (Ohm)	11.0
Current	
RLA (A)	2.8 2.8
MCC (A)	4.2 4.5
LRA (A)	18 18
Electrical Equipment	TRI
Overload	Interne
Refrigerating connection for OD	
Suction Tube	12.7 (1/2")
Discharge Tube	7.9 (5/16")
Process Tube	6.35 (1/4")

* EN12900 : T°Cond. 50.0°C / T°Evap. 5.0°C / T°Superheat. 10.0°C
T°Subcooling. 0.0K

Certificates :



Note : Tecumseh reserves the right to change information contained in this document without notification.



Tecumseh

TAJ5515C-TZ	Tension TZ : 400V 3~ 50Hz / 440V 3~ 60 Hz
--------------------	--

Les performances sont données dans les conditions EN12900 :	Surchauffe :	10.0 K
Condition Dew	Sous refroidissement :	0.0 K
The performance data are in EN12900 conditions :	Superheat :	10.0 K
Dew Condition	Subcooling :	0.0 K

50 Hz R407C

N°341JL-TZ

4 T condensation	5 T évaporation	(°C)	-25	-20	-15	-10	-5	0	5	10	15
40	1 P frigorifique	(Watt)				1717	2318	3026	3841	4763	5791
	2 P absorbée	(W)				1008	1109	1191	1252	1293	1314
	3 I absorbée	(A)				2.31	2.36	2.42	2.49	2.57	2.67
50	1 P frigorifique	(Watt)					1832	2437	3146	3958	4874
	2 P absorbée	(W)					1133	1243	1344	1435	1517
	3 I absorbée	(A)					2.44	2.56	2.69	2.82	2.96
60	1 P frigorifique	(Watt)						1847	2449	3152	3955
	2 P absorbée	(W)						1291	1429	1568	1708
	3 I absorbée	(A)						2.70	2.88	3.07	3.25

60 Hz R407C

N°341JL-TZ

4 T condensation	5 T évaporation	(°C)	-25	-20	-15	-10	-5	0	5	10	15
40	1 P frigorifique	(Watt)				2059	2765	3586	4522	5573	6739
	2 P absorbée	(W)				1188	1317	1426	1515	1585	1634
	3 I absorbée	(A)				2.16	2.25	2.36	2.48	2.61	2.76
50	1 P frigorifique	(Watt)					2186	2888	3703	4631	5672
	2 P absorbée	(W)					1345	1489	1626	1758	1883
	3 I absorbée	(A)					2.33	2.50	2.68	2.87	3.07
60	1 P frigorifique	(Watt)						2189	2883	3688	4604
	2 P absorbée	(W)						1547	1730	1921	2119
	3 I absorbée	(A)						2.64	2.87	3.12	3.37

1 = cooling capacity 2 = power input 3 = current 4 = condensing temperature 5 = evaporating temperature

Nota : Tecumseh se réserve le droit de modifier les informations contenues dans ce document sans préavis.
Note : Tecumseh reserves the right to change information contained in this document without notification.

© 2019 Tecumseh Products Company
All rights reserved