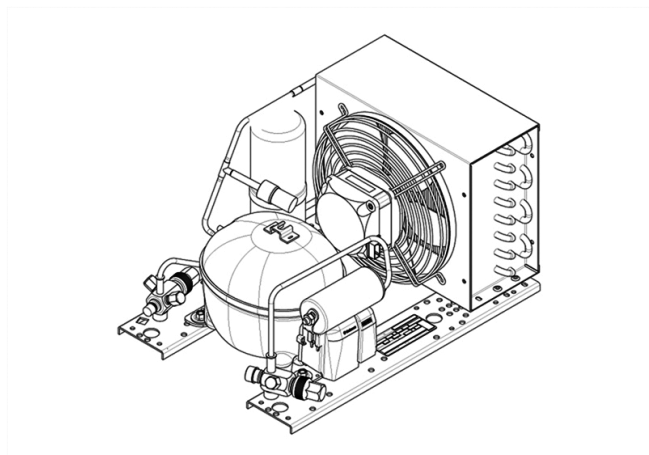


UEMT6144GK



ENGINEERING CODE
594EA9012AA



REFRIGERANT
R-404A



POWER SUPPLY
220-240 V 50 Hz



APPLICATION
HBP



MOTOR TYPE
CSIR



STANDARD
EN13215_RG20



COOLING CAPACITY
385 W



EFFICIENCY
1.74 W/W

CE

✓ ECODSIGN COMPLIANT

DATA

GENERAL DATA

Model UEMT6144GK

CONDENSING COMPONENTS

Compressor	EMT6144GK	M/HBP
Condenser	3R8T	2451204
Refrigerant	R-404A	
Expansion Device	C-V	
Fan Blade Diameter	200	
Fankit	10W 200/28/5B	1996581

MECHANICAL DATA

Air Flow	300 m ³ /h
Height	226 mm
Shaft Power	10
Weight	13 Kg
Width	290 mm
Length	430 mm

PERFORMANCE

TESTED CONDITIONS

Tested Refrigerant	R-404A
Tested Application	HBP
Tested Standard	EN13215_RG20

RATED POINTS

Ambient Temperature °C	Evaporating Temperature °C	Cooling Capacity W	Efficiency W/W	Consumo de Potencia W
32	-10	385	1.74	222

Test Condition: Subcooling 3 K, Return Gas 20 °C.

PERFORMANCE CURVE

Ambient Temperature 25°C

Evaporating Temperature °C	Cooling Capacity W	Efficiency W/W	Consumo de Potencia W
-20	293	1.59	184
-15	355	1.79	199
-5	497	2.14	232
0	576	2.30	251
5	659	2.44	270
10	748	2.57	292

Test Condition: Subcooling 3 K, Return Gas 20 °C.

PERFORMANCE CURVE

Ambient Temperature 32°C

Evaporating Temperature °C	Cooling Capacity W	Efficiency W/W	Consumo de Potencia W
-20	266	1.41	189
-15	323	1.58	205
-5	451	1.88	240
0	523	2.02	259
5	599	2.15	279
10	681	2.27	300

Test Condition: Subcooling 3 K, Return Gas 20 °C.

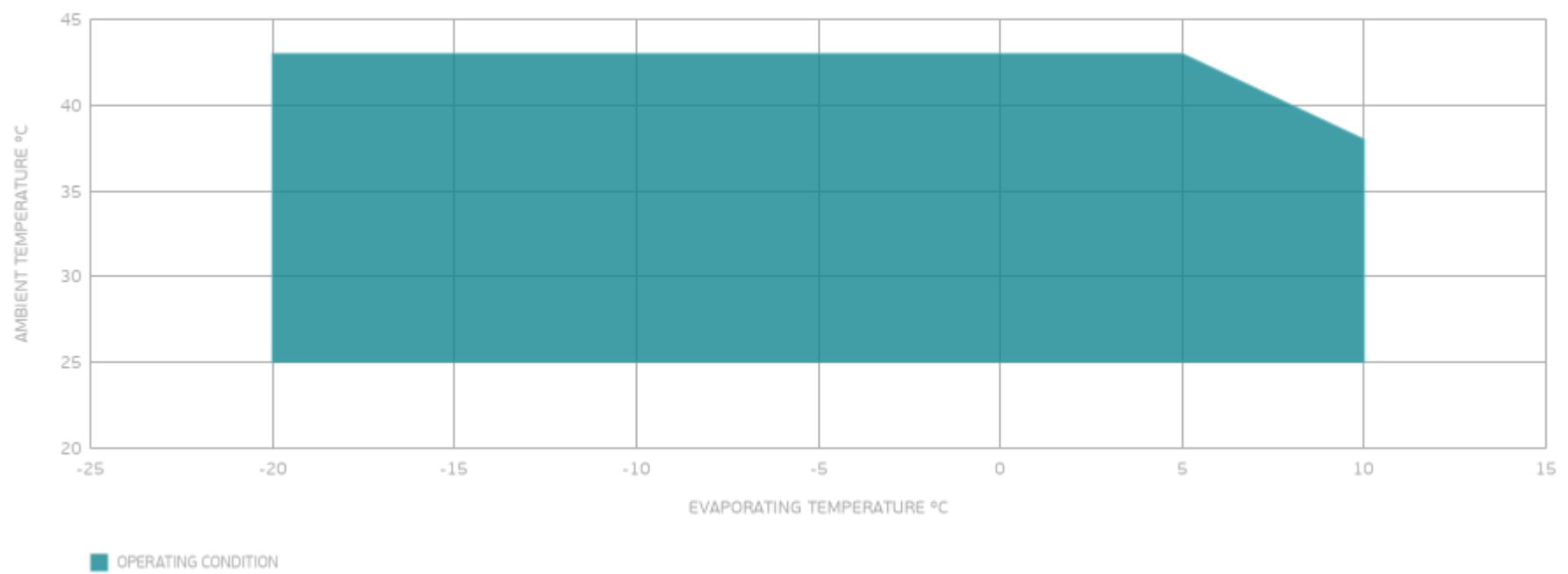
PERFORMANCE CURVE

Ambient Temperature 43°C

Evaporating Temperature °C	Cooling Capacity W	Efficiency W/W	Consumo de Potencia W
-20	219	1.09	200
-15	265	1.21	219
-5	372	1.43	261
0	433	1.53	283
5	497	1.62	306

Test Condition: Subcooling 3 K, Return Gas 20 °C.

ENVELOPE



EXTERNAL DIMENSIONS

