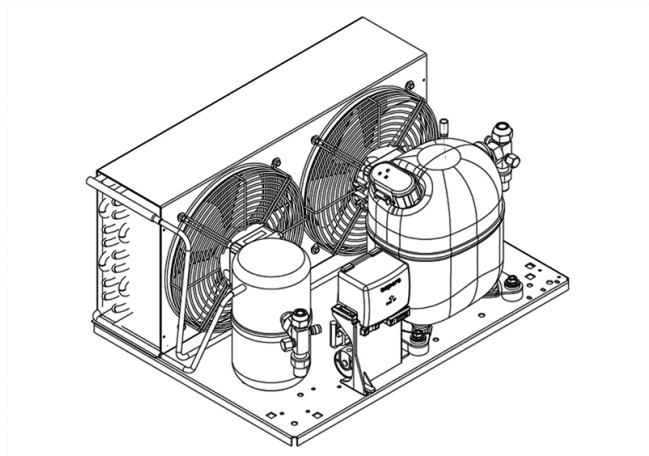


ULNJ9226GK



ENGINEERING CODE
644LV5B04AA



REFRIGERANT
R-404A



POWER SUPPLY
230 V 50 Hz



APPLICATION
HBP



MOTOR TYPE
CSR



STANDARD
EN13215_RG20



COOLING CAPACITY
1774 W



EFFICIENCY
1.62 W/W

CE

✓ ECODSIGN
COMPLIANT

DATA

GENERAL DATA

Model ULNJ9226GK

ACCESSORIES

Discharge valve	FLARE 3/8"	2110056
Suction valve	FLARE 5/8"	2110058

CONDENSING COMPONENTS

Compressor	NJ9226GK	M/HBP
Condenser	3R11T-550 2FAN 254MM	2451154
Refrigerant	R-404A	
Expansion Device	C-V	
Fan Blade Diameter	254	
Fankit	16W 254/28/5B	1996609

MECHANICAL DATA

Air Flow	1400 m ³ /h
Height	298 mm
Receiver	2.3 L
Shaft Power	16
Weight	38 Kg
Width	614 mm
Length	440 mm

PERFORMANCE

TESTED CONDITIONS

Tested Refrigerant	R-404A
Tested Application	HBP
Tested Standard	EN13215_RG20

RATED POINTS

Ambient Temperature °C	Evaporating Temperature °C	Cooling Capacity W	Efficiency W/W	Consumo de Potencia W
32	-10	1774	1.62	1092

Test Condition: Subcooling 3 K, Return Gas 20 °C.

PERFORMANCE CURVE

Ambient Temperature 25°C

Evaporating Temperature °C	Cooling Capacity W	Efficiency W/W	Consumo de Potencia W
-20	1315	1.49	880
-15	1631	1.69	965
-5	2311	2.00	1155
0	2665	2.11	1262
5	3022	2.19	1380
10	3377	2.24	1509

Test Condition: Subcooling 3 K, Return Gas 20 °C.

PERFORMANCE CURVE

Ambient Temperature 32°C

Evaporating Temperature °C	Cooling Capacity W	Efficiency W/W	Consumo de Potencia W
-20	1180	1.30	905
-15	1468	1.47	996
-5	2094	1.75	1196
0	2423	1.85	1308
5	2755	1.93	1430
10	3086	1.97	1564

Test Condition: Subcooling 3 K, Return Gas 20 °C.

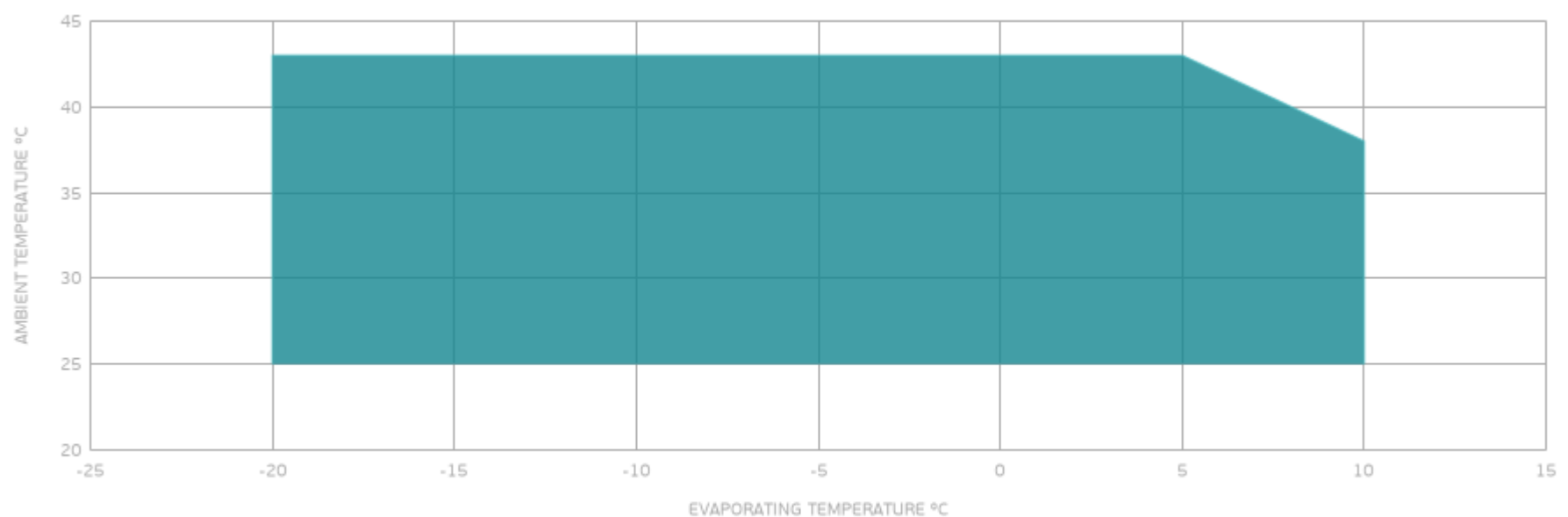
PERFORMANCE CURVE

Ambient Temperature 43°C

Evaporating Temperature °C	Cooling Capacity W	Efficiency W/W	Consumo de Potencia W
-20	940	1.02	922
-15	1161	1.13	1026
-5	1657	1.32	1251
0	1922	1.40	1375
5	2192	1.45	1509

Test Condition: Subcooling 3 K, Return Gas 20 °C.

ENVELOPE



■ OPERATING CONDITION

