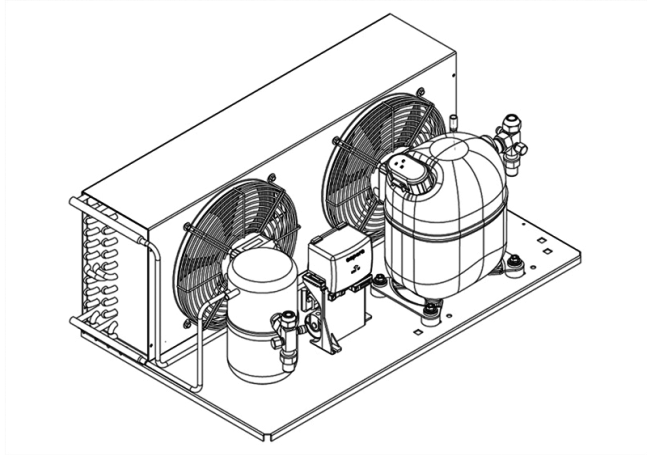


ULNJ9238GK



ENGINEERING CODE
643RV5B04AA

REFRIGERANT
R-404A

POWER SUPPLY
230 V 50 Hz

APPLICATION
HBP

MOTOR TYPE
CSR

STANDARD
EN13215_RG20

COOLING CAPACITY
2682 W

EFFICIENCY
1.6 W/W

CE



DATA

GENERAL DATA

Model ULNJ9238GK

ACCESSORIES

| | | |
|-----------------|------------|---------|
| Discharge valve | FLARE 1/2" | 2110057 |
| Suction valve | FLARE 5/8" | 2110058 |

CONDENSING COMPONENTS

| | | |
|--------------------|----------------------|---------|
| Compressor | NJ9238GK | M/HBP |
| Condenser | 4R11T DOUBLE FAN 254 | 2451210 |
| Refrigerant | R-404A | |
| Expansion Device | C-V | |
| Fan Blade Diameter | 254 | |
| Fankit | 16W 254/28/5B | 1996609 |

MECHANICAL DATA

| | |
|-------------|------------------------|
| Air Flow | 1140 m ³ /h |
| Height | 296 mm |
| Receiver | 2.3 L |
| Shaft Power | 16 |
| Weight | 45 Kg |
| Width | 787 mm |
| Length | 461 mm |

PERFORMANCE

TESTED CONDITIONS

| | |
|--------------------|--------------|
| Tested Refrigerant | R-404A |
| Tested Application | HBP |
| Tested Standard | EN13215_RG20 |

RATED POINTS

| Ambient Temperature °C | Evaporating Temperature °C | Cooling Capacity W | Efficiency W/W | Consumo de Potencia W |
|------------------------|----------------------------|--------------------|----------------|-----------------------|
| 32 | -10 | 2682 | 1.6 | 1678 |

Test Condition: Subcooling 3 K, Return Gas 20 °C.

PERFORMANCE CURVE

Ambient Temperature 25°C

| Evaporating Temperature °C | Cooling Capacity W | Efficiency W/W | Consumo de Potencia W |
|----------------------------|--------------------|----------------|-----------------------|
| -20 | 2068 | 1.56 | 1330 |
| -15 | 2509 | 1.71 | 1466 |
| -5 | 3406 | 1.89 | 1804 |
| 0 | 3848 | 1.92 | 2006 |
| 5 | 4277 | 1.92 | 2230 |
| 10 | 4687 | 1.89 | 2477 |

Test Condition: Subcooling 3 K, Return Gas 20 °C.

PERFORMANCE CURVE

Ambient Temperature 32°C

| Evaporating Temperature °C | Cooling Capacity W | Efficiency W/W | Consumo de Potencia W |
|----------------------------|--------------------|----------------|-----------------------|
| -20 | 1843 | 1.34 | 1377 |
| -15 | 2258 | 1.49 | 1518 |
| -5 | 3107 | 1.67 | 1859 |
| 0 | 3527 | 1.71 | 2059 |
| 5 | 3936 | 1.73 | 2279 |
| 10 | 4327 | 1.72 | 2520 |

Test Condition: Subcooling 3 K, Return Gas 20 °C.

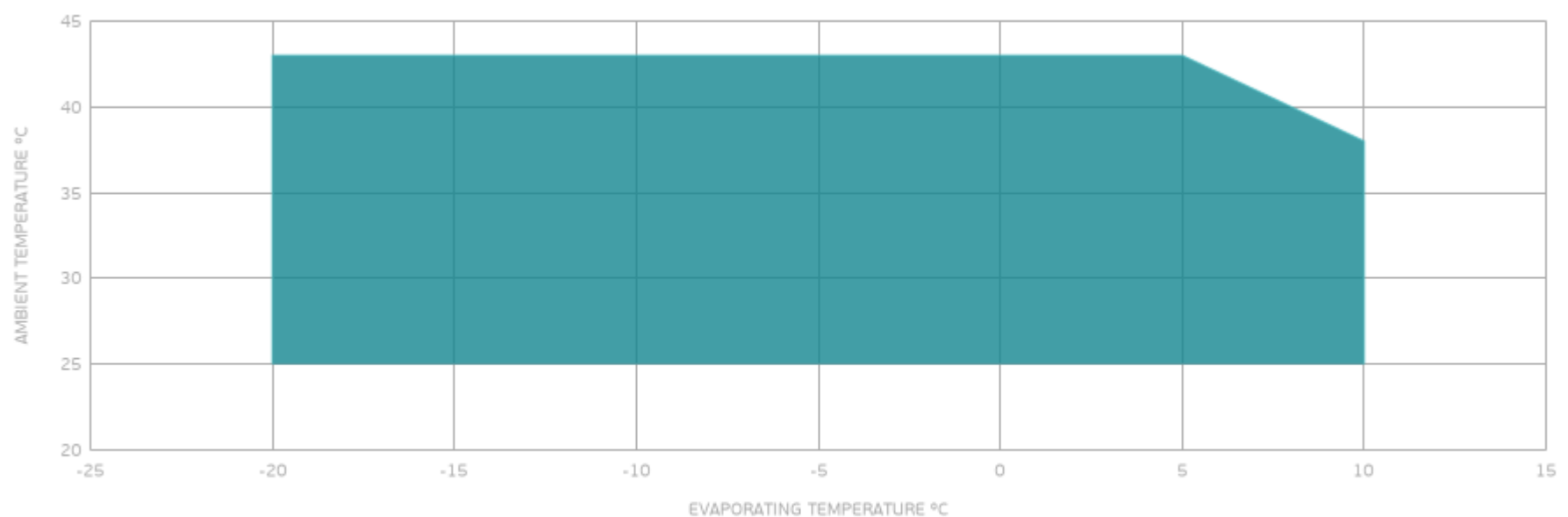
PERFORMANCE CURVE

Ambient Temperature 43°C

| Evaporating Temperature °C | Cooling Capacity W | Efficiency W/W | Consumo de Potencia W |
|----------------------------|--------------------|----------------|-----------------------|
| -20 | 1521 | 1.10 | 1383 |
| -15 | 1893 | 1.23 | 1545 |
| -5 | 2664 | 1.39 | 1918 |
| 0 | 3048 | 1.43 | 2130 |
| 5 | 3423 | 1.45 | 2359 |

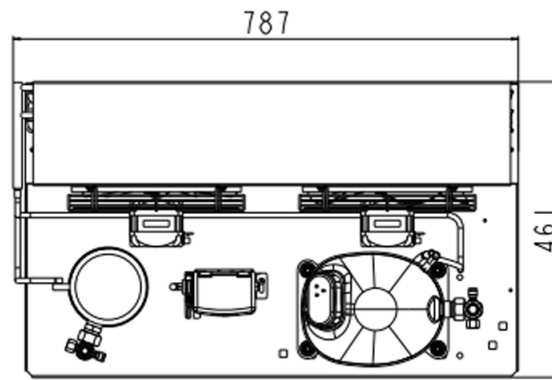
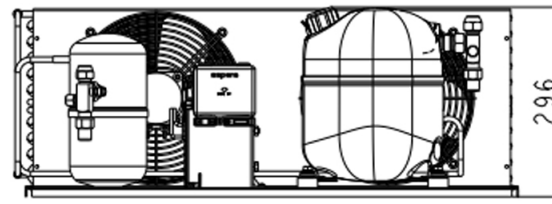
Test Condition: Subcooling 3 K, Return Gas 20 °C.

ENVELOPE



■ OPERATING CONDITION

EXTERNAL DIMENSIONS



WIRING DIAGRAM

