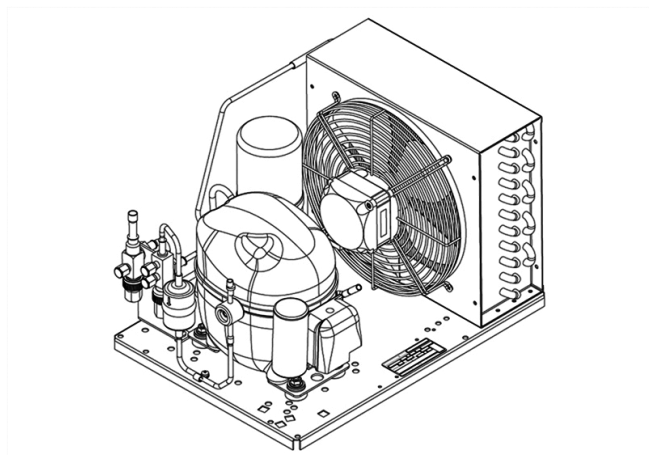


UNEK2134GK



ENGINEERING CODE
558AA8312AA



POWER SUPPLY
220-240 V 50 Hz



MOTOR TYPE
CSIR



REFRIGERANT
R-404A



APPLICATION
LBP



STANDARD
EN13215_RG20

CE

ECODESIGN
COMPLIANT



COOLING CAPACITY
261 W



EFFICIENCY
0.86 W/W

DATA

GENERAL DATA

Model UNEK2134GK

CONDENSING COMPONENTS

Compressor	NEK2134GK	LBP
Condenser	3R11T	2451206
Refrigerant	R-404A	
Expansion Device	C-V	
Fan Blade Diameter	254	
Fankit	16W 254/28/5B	1996579

MECHANICAL DATA

Air Flow	595 m ³ /h
Height	296 mm
Shaft Power	16
Weight	20 Kg
Width	340 mm
Length	465 mm

PERFORMANCE

TESTED CONDITIONS

Tested Refrigerant	R-404A
Tested Application	LBP
Tested Standard	EN13215_RG20

RATED POINTS

Ambient Temperature °C	Evaporating Temperature °C	Cooling Capacity W	Efficiency W/W	Consumo de Potencia W
32	-35	261	0.86	303

Test Condition: Subcooling 3 K, Return Gas 20 °C.

PERFORMANCE CURVE

Ambient Temperature 25°C

Evaporating Temperature °C	Cooling Capacity W	Efficiency W/W	Consumo de Potencia W
-40	227	0.83	274
-30	378	1.15	329
-25	475	1.32	360
-20	586	1.49	393
-15	711	1.66	428
-10	849	1.83	465

Test Condition: Subcooling 3 K, Return Gas 20 °C.

PERFORMANCE CURVE

Ambient Temperature 32°C

Evaporating Temperature °C	Cooling Capacity W	Efficiency W/W	Consumo de Potencia W
-40	201	0.74	273
-30	335	1.00	335
-25	421	1.14	371
-20	521	1.28	408
-15	633	1.41	448
-10	758	1.55	490

Test Condition: Subcooling 3 K, Return Gas 20 °C.

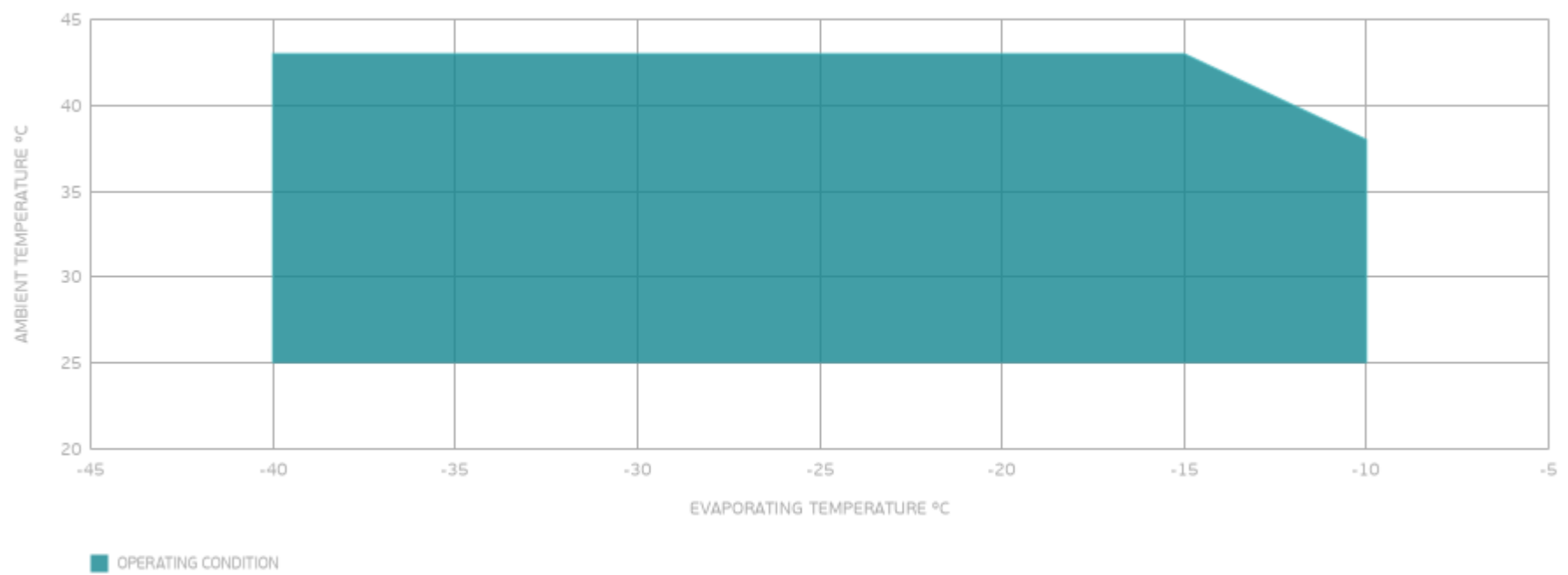
PERFORMANCE CURVE

Ambient Temperature 43°C

Evaporating Temperature °C	Cooling Capacity W	Efficiency W/W	Consumo de Potencia W
-40	152	0.56	274
-30	263	0.76	347
-25	336	0.87	387
-20	419	0.97	431
-15	514	1.08	477

Test Condition: Subcooling 3 K, Return Gas 20 °C.

ENVELOPE



EXTERNAL DIMENSIONS

