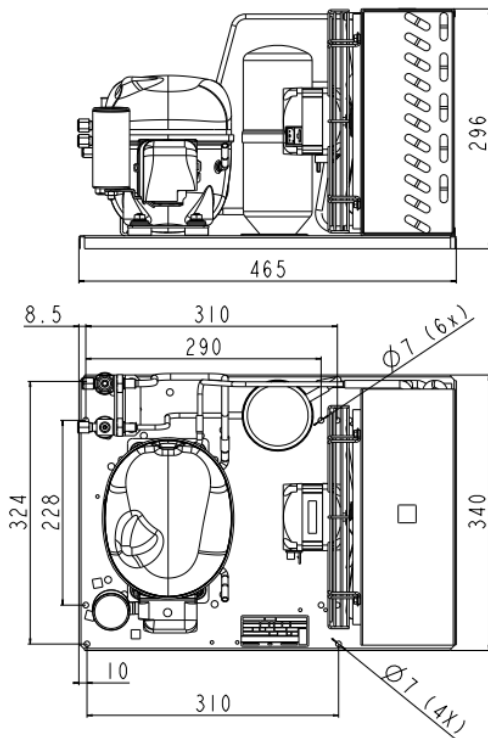


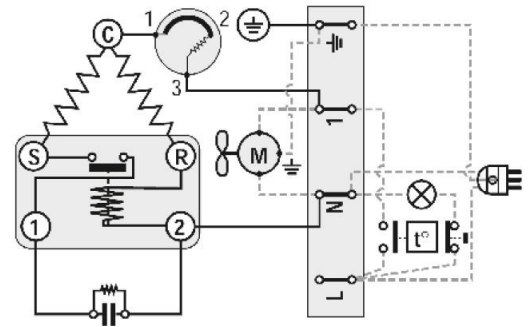
GENERAL DATA

Application:	LBP
Refrigerant:	R404A
Expansion Device:	C-V
Weight:	22.1 kg
Receiver:	1.1 liter
Voltage/Frequency:	220 - 240 V 50 ~
Height:	22.1 mm
Length:	465 mm
Width:	340 mm
Institute Approvals:	CE

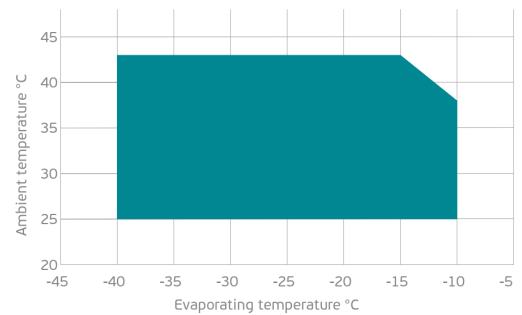
EXTERNAL DIMENSIONS



WIRING DIAGRAM



OPERATING ENVELOPE



COMPONENTS (SPARE PARTS)

condenser:	3R11T	2451206
valve_suca:	FLARE 3/8"	2110059
compressor:	NEK2150GK	959AA51..AM

fankit:	16W 254/28°/5B	1996610
valve_disch:	FLARE 1/4"	2110085
elkit:	ELKOM NEK2150GK	959AA51N1A

For additional accessories please contact our technical support

ELECTRICAL DATA

Motor Type:	CSIR -
Locked Rotor Amperage (RLA):	19.5 A
Max.Current:	3.52 A

At maximum evaporating temperature and maximum ambient temperature.

FAN MOTOR

Number:	1 -
Shaft Power:	16 W
Air Flow:	595 m ³ /hod
Blade Diameter:	254 mm

PERFORMANCE CURVE DATA

Standard: EN13215-RG20 / return gas 20°C, subcooling 3K

50 Hz

	Evaporating Temperature (°C)	Cooling Capacity (W)	Power Consumption (W)	Current Consumption (A)	Efficiency (W/W)
25°C Ambient Temperature	-10°C	1 052	693	1.30	1.52
	-15°C	883	624	1.21	1.42
	-20°C	738	560	1.13	1.32
	-25°C	611	502	1.04	1.22
	-30°C	496	448	0.95	1.11
	Rated point -35°C	390	399	0.84	0.98
	-40°C	286	354	0.70	0.81
32°C Ambient Temperature	-10°C	958	715	1.34	1.34
	-15°C	802	643	1.25	1.25
	-20°C	668	576	1.16	1.16
	-25°C	553	516	1.07	1.07
	-30°C	451	462	0.98	0.98
	Rated point -35°C	356	412	0.86	0.86
	-40°C	263	367	0.72	0.72
43°C Ambient Temperature	-15°C	690	684	1.32	1.01
	-20°C	572	612	1.23	0.93
	-25°C	471	548	1.14	0.86
	-30°C	383	489	1.03	0.78
	Rated point -35°C	302	437	0.91	0.69
	-40°C	223	390	0.77	0.57