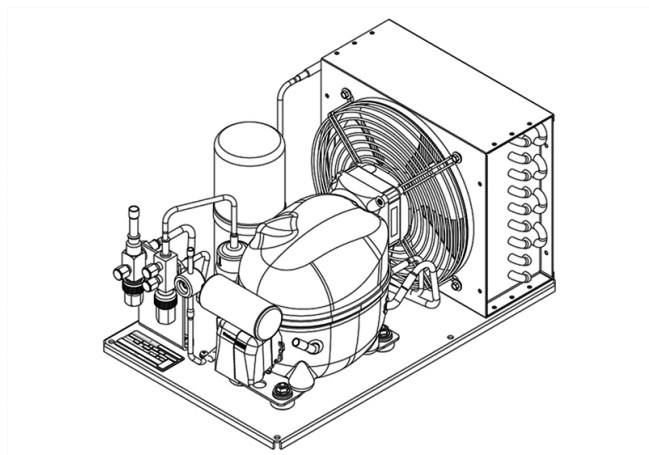


UNEK6165GK



**ENGINEERING CODE**  
557IA5312AA



**REFRIGERANT**  
R-404A



**POWER SUPPLY**  
220-240 V 50 Hz



**APPLICATION**  
HBP



**MOTOR TYPE**  
CSIR



**STANDARD**  
EN13215\_RG20



**COOLING CAPACITY**  
567 W



**EFFICIENCY**  
1.44 W/W

CE

ECODESIGN COMPLIANT

DATA

GENERAL DATA

Model UNEK6165GK

CONDENSING COMPONENTS

Compressor	NEK6165GK	M/HBP
Condenser	3R9T	2451205
Refrigerant	R-404A	
Expansion Device	C-V	
Fan Blade Diameter	230	
Fankit	10W 230/31/5B	1996699

MECHANICAL DATA

Air Flow	420 m <sup>3</sup> /h
Height	254 mm
Shaft Power	10
Weight	17 Kg
Width	290 mm
Length	435 mm

## PERFORMANCE

### TESTED CONDITIONS

Tested Refrigerant	R-404A
Tested Application	HBP
Tested Standard	EN13215_RG20

### RATED POINTS

Ambient Temperature °C	Evaporating Temperature °C	Cooling Capacity W	Efficiency W/W	Consumo de Potencia W
32	-10	567	1.44	395

Test Condition: Subcooling 3 K, Return Gas 20 °C.

### PERFORMANCE CURVE

Ambient Temperature 25°C

Evaporating Temperature °C	Cooling Capacity W	Efficiency W/W	Consumo de Potencia W
-20	480	1.34	357
-15	583	1.52	384
-5	835	1.88	444
0	984	2.07	475
5	1145	2.26	507
10	1319	2.45	539

Test Condition: Subcooling 3 K, Return Gas 20 °C.

### PERFORMANCE CURVE

Ambient Temperature 32°C

Evaporating Temperature °C	Cooling Capacity W	Efficiency W/W	Consumo de Potencia W
-20	427	1.32	322
-15	490	1.37	357
-5	658	1.52	433
0	762	1.61	473
5	878	1.71	513
10	1005	1.82	554

Test Condition: Subcooling 3 K, Return Gas 20 °C.

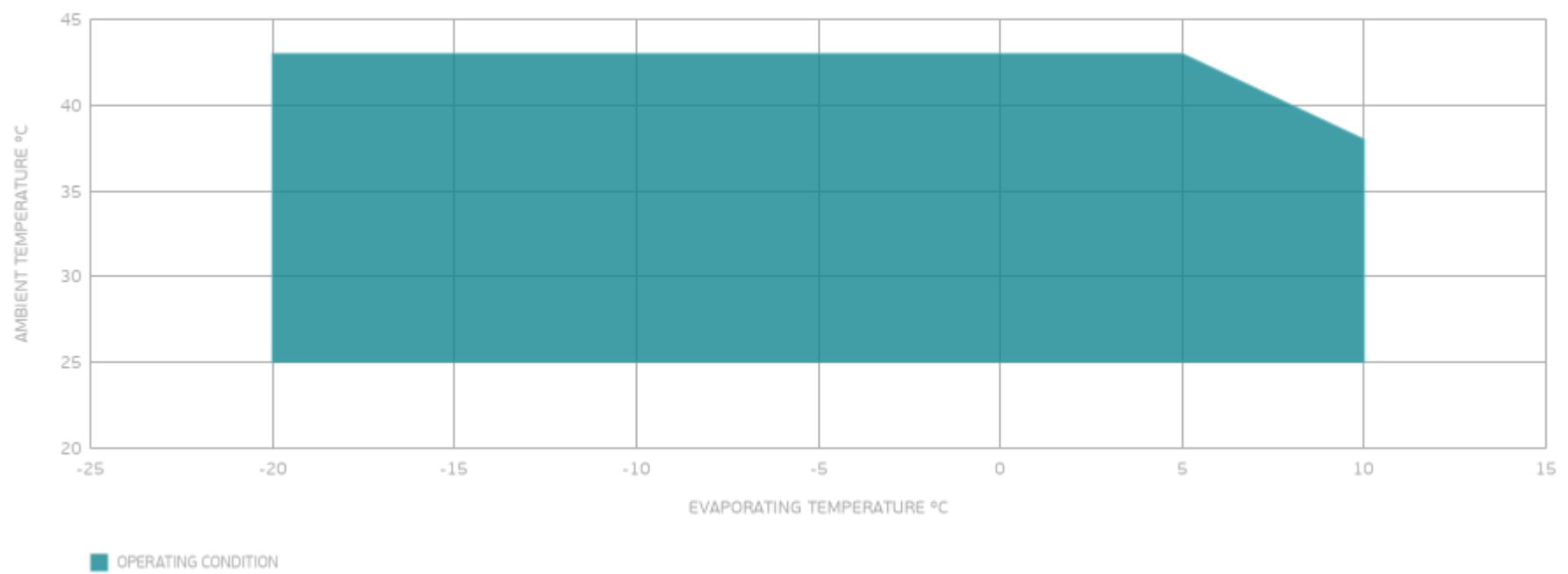
## PERFORMANCE CURVE

Ambient Temperature 43°C

Evaporating Temperature °C	Cooling Capacity W	Efficiency W/W	Consumo de Potencia W
-20	389	1.02	380
-15	476	1.13	423
-5	685	1.33	514
0	806	1.44	561
5	937	1.54	609

Test Condition: Subcooling 3 K, Return Gas 20 °C.

## ENVELOPE



## EXTERNAL DIMENSIONS

