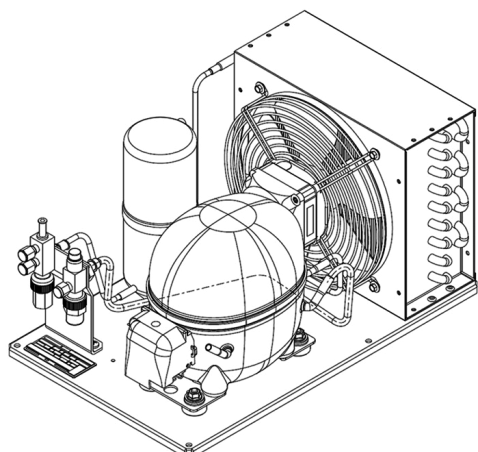


UNEK6170Z



ENGINEERING CODE
573DA5108AA



POWER SUPPLY
220-240 V 50 Hz



MOTOR TYPE
CSIR



REFRIGERANT
R-134a



APPLICATION
HBP



STANDARD
EN13215_RG20



COOLING CAPACITY
419 W



EFFICIENCY
1.62 W/W

CE

ECODESIGN COMPLIANT

DATA

GENERAL DATA

Model UNEK6170Z

ACCESSORIES

Discharge valve	FLARE 1/4"	2110025
Suction valve	FLARE 3/8"	2110024

CONDENSING COMPONENTS

Compressor	NEK6170Z	M/HBP
Condenser	3R9T	2451205
Refrigerant	R-134a	
Expansion Device	C-V	
Fan Blade Diameter	230	
Fankit	10W 230/31/5B	1996580

MECHANICAL DATA

Air Flow	420 m ³ /h
Height	254 mm
Shaft Power	10
Weight	17 Kg
Width	290 mm
Length	435 mm

PERFORMANCE

TESTED CONDITIONS

Tested Refrigerant	R-134a
Tested Application	HBP
Tested Standard	EN13215_RG20

RATED POINTS

Ambient Temperature °C	Evaporating Temperature °C	Cooling Capacity W	Efficiency W/W	Consumo de Potencia W
32	-10	419	1.62	259

Test Condition: Subcooling 3 K, Return Gas 20 °C.

PERFORMANCE CURVE

Ambient Temperature 25°C

Evaporating Temperature °C	Cooling Capacity W	Efficiency W/W	Consumo de Potencia W
-15	370	1.61	230
-5	565	2.06	274
0	681	2.28	299
5	809	2.48	325
10	948	2.68	354

Test Condition: Subcooling 3 K, Return Gas 20 °C.

PERFORMANCE CURVE

Ambient Temperature 32°C

Evaporating Temperature °C	Cooling Capacity W	Efficiency W/W	Consumo de Potencia W
-15	336	1.42	238
-5	513	1.82	282
0	619	2.01	308
5	735	2.19	335
10	862	2.36	365

Test Condition: Subcooling 3 K, Return Gas 20 °C.

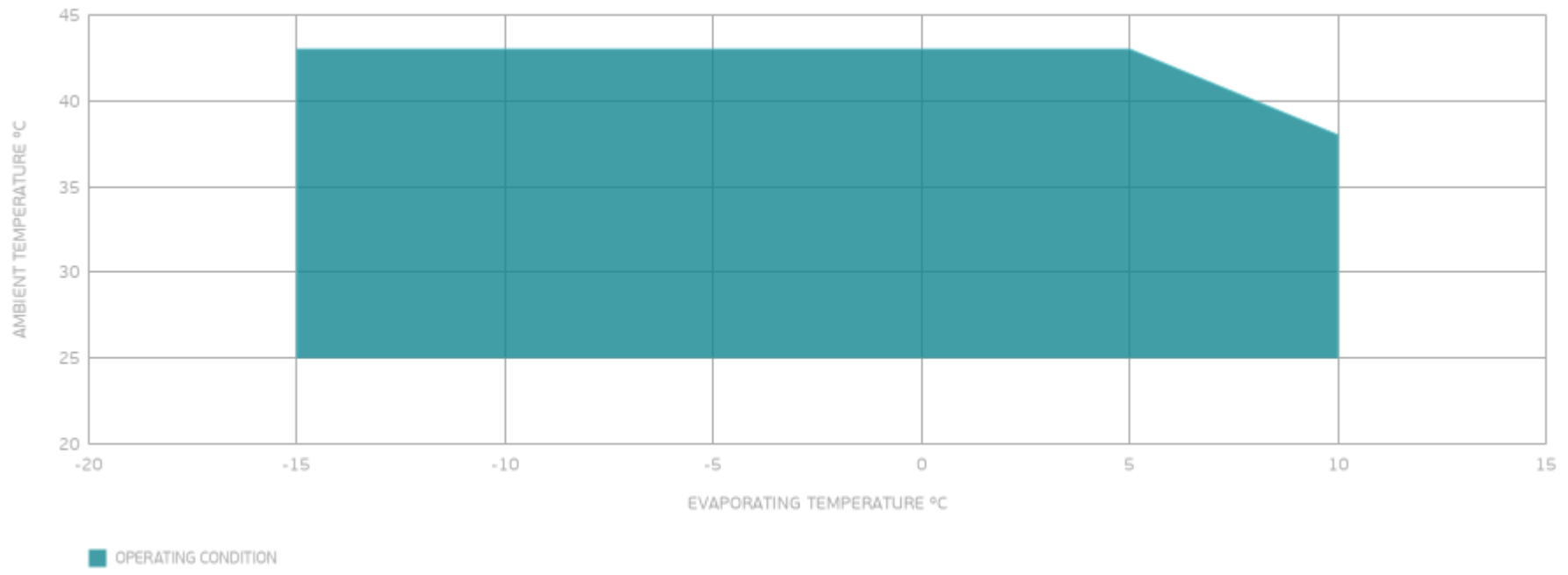
PERFORMANCE CURVE

Ambient Temperature 43°C

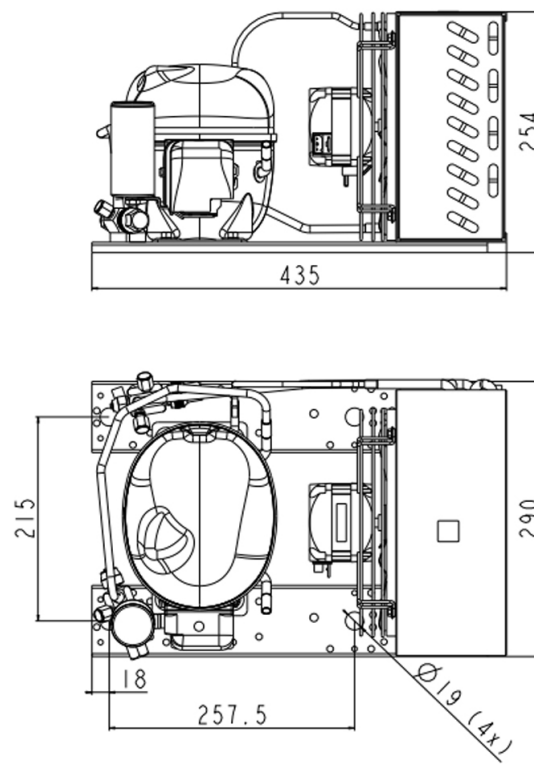
Evaporating Temperature °C	Cooling Capacity W	Efficiency W/W	Consumo de Potencia W
-15	264	1.06	249
-5	415	1.37	303
0	505	1.51	334
5	605	1.65	368

Test Condition: Subcooling 3 K, Return Gas 20 °C.

ENVELOPE



EXTERNAL DIMENSIONS



WIRING DIAGRAM

