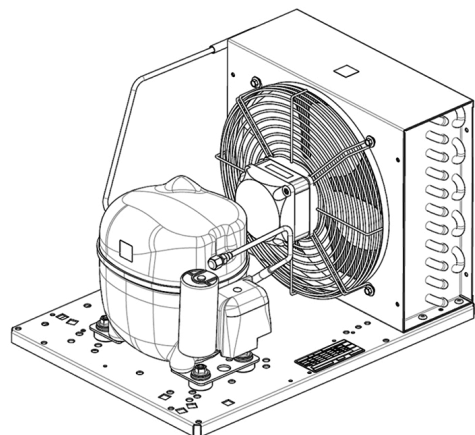


UNEK6181U



**ENGINEERING CODE**  
561FA0012AA



**POWER SUPPLY**  
220-240 V 50 Hz



**MOTOR TYPE**  
CSIR



**REFRIGERANT**  
R-290



**APPLICATION**  
HBP



**STANDARD**  
EN13215\_RG20



**COOLING CAPACITY**  
548 W



**EFFICIENCY**  
1.87 W/W

CE

ECODESIGN COMPLIANT

DATA

GENERAL DATA

Model UNEK6181U

CONDENSING COMPONENTS

Compressor	NEK6181U	M/HBP
Condenser	3R11T	2451206
Refrigerant	R-290	
Expansion Device	C-V	
Fan Blade Diameter	254	
Fankit	IQ3612 254/28/5P	1996703

MECHANICAL DATA

Air Flow	300 m <sup>3</sup> /h
Height	296 mm
Weight	23 Kg
Width	340 mm
Length	465 mm

## PERFORMANCE

### TESTED CONDITIONS

Tested Refrigerant	R-290
Tested Application	HBP
Tested Standard	EN13215_RG20

### RATED POINTS

Ambient Temperature °C	Evaporating Temperature °C	Cooling Capacity W	Efficiency W/W	Consumo de Potencia W
32	-10	548	1.87	293

Test Condition: Subcooling 3 K, Return Gas 20 °C.

### PERFORMANCE CURVE

Ambient Temperature 25°C

Evaporating Temperature °C	Cooling Capacity W	Efficiency W/W	Consumo de Potencia W
-20	410	1.68	245
-15	503	1.93	260
-5	717	2.49	288
0	844	2.80	301
5	988	3.14	315
10	1151	3.50	328

Test Condition: Subcooling 3 K, Return Gas 20 °C.

### PERFORMANCE CURVE

Ambient Temperature 32°C

Evaporating Temperature °C	Cooling Capacity W	Efficiency W/W	Consumo de Potencia W
-20	363	1.42	256
-15	452	1.64	275
-5	654	2.11	310
0	773	2.37	326
5	906	2.65	342
10	1057	2.95	359

Test Condition: Subcooling 3 K, Return Gas 20 °C.

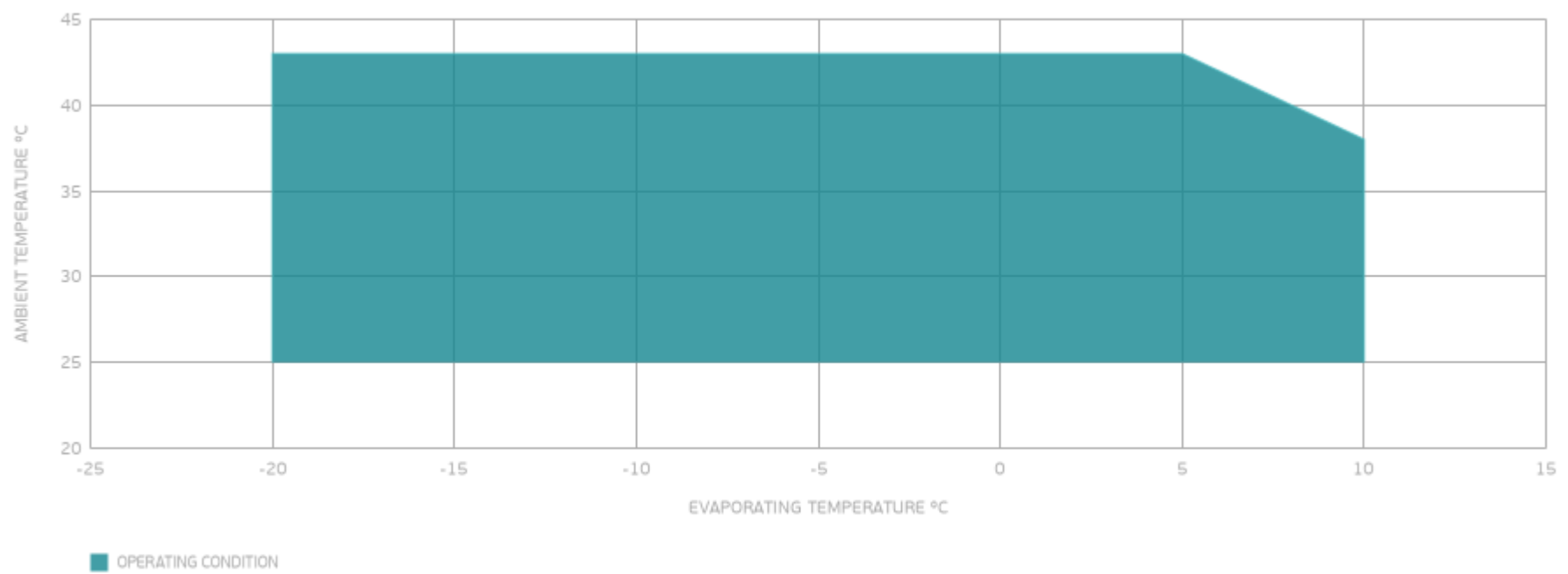
## PERFORMANCE CURVE

Ambient Temperature 43°C

Evaporating Temperature °C	Cooling Capacity W	Efficiency W/W	Consumo de Potencia W
-20	278	1.04	268
-15	355	1.21	294
-5	526	1.53	343
0	624	1.71	366
5	735	1.89	389

Test Condition: Subcooling 3 K, Return Gas 20 °C.

## ENVELOPE



## EXTERNAL DIMENSIONS

