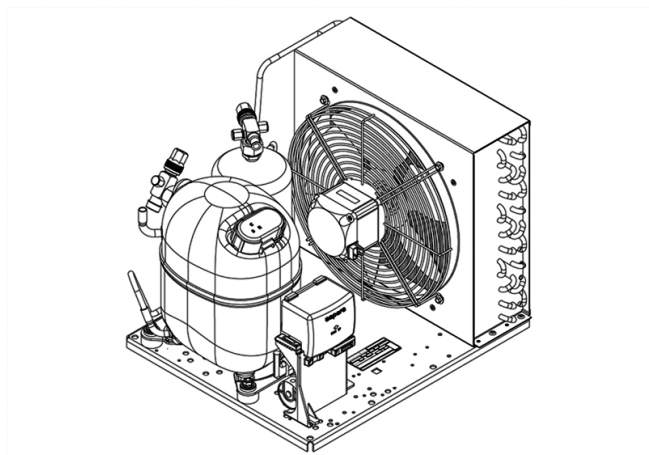


UNJ9226GK



**ENGINEERING CODE**  
644LV5304AA



**REFRIGERANT**  
R-404A



**POWER SUPPLY**  
230 V 50 Hz



**APPLICATION**  
HBP



**MOTOR TYPE**  
CSR



**STANDARD**  
EN13215\_RG20



**COOLING CAPACITY**  
1719 W



**EFFICIENCY**  
1.64 W/W

CE

ECODESIGN COMPLIANT

DATA

GENERAL DATA

**Model** UNJ9226GK

CONDENSING COMPONENTS

<b>Compressor</b>	NJ9226GK	M/HBP
<b>Condenser</b>	3R14T	2451221
<b>Refrigerant</b>	R-404A	
<b>Expansion Device</b>	C-V	
<b>Fan Blade Diameter</b>	300	
<b>Fankit</b>	34W 300/28/5B	1996585

MECHANICAL DATA

<b>Air Flow</b>	700 m <sup>3</sup> /h
<b>Height</b>	372 mm
<b>Shaft Power</b>	34
<b>Weight</b>	35 Kg
<b>Width</b>	405 mm
<b>Length</b>	482 mm

## PERFORMANCE

### TESTED CONDITIONS

Tested Refrigerant	R-404A
Tested Application	HBP
Tested Standard	EN13215_RG20

### RATED POINTS

Ambient Temperature °C	Evaporating Temperature °C	Cooling Capacity W	Efficiency W/W	Consumo de Potencia W
32	-10	1719	1.64	1049

Test Condition: Subcooling 3 K, Return Gas 20 °C.

### PERFORMANCE CURVE

Ambient Temperature 25°C

Evaporating Temperature °C	Cooling Capacity W	Efficiency W/W	Consumo de Potencia W
-20	1273	1.53	831
-15	1567	1.71	919
-5	2232	1.98	1127
0	2598	2.09	1244
5	2984	2.18	1367
10	3386	2.26	1496

Test Condition: Subcooling 3 K, Return Gas 20 °C.

### PERFORMANCE CURVE

Ambient Temperature 32°C

Evaporating Temperature °C	Cooling Capacity W	Efficiency W/W	Consumo de Potencia W
-20	1155	1.35	857
-15	1425	1.50	947
-5	2033	1.75	1161
0	2365	1.84	1282
5	2713	1.93	1410
10	3075	1.99	1542

Test Condition: Subcooling 3 K, Return Gas 20 °C.

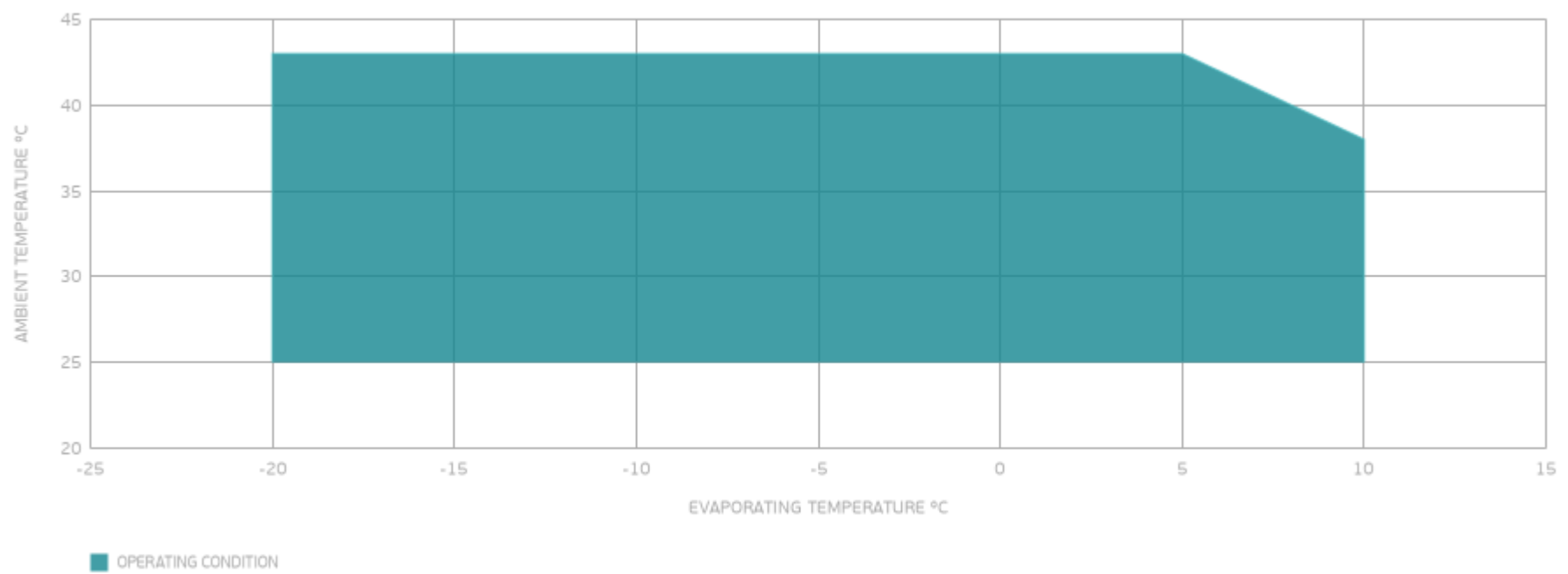
## PERFORMANCE CURVE

Ambient Temperature 43°C

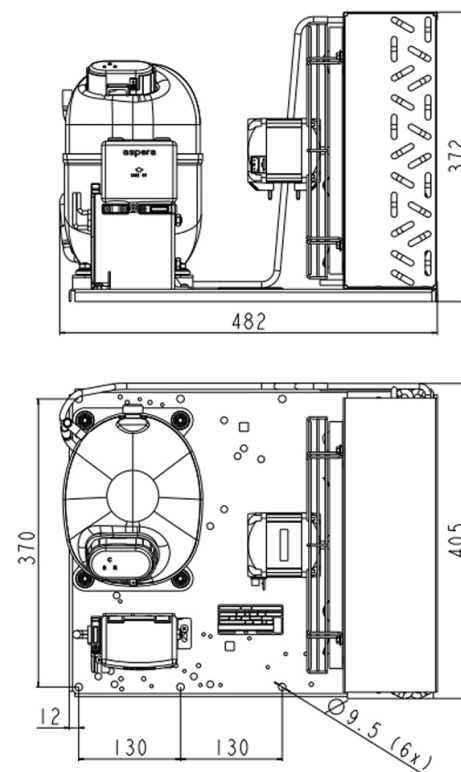
Evaporating Temperature °C	Cooling Capacity W	Efficiency W/W	Consumo de Potencia W
-20	1015	1.15	884
-15	1279	1.31	979
-5	1859	1.54	1206
0	2169	1.63	1334
5	2491	1.69	1470

Test Condition: Subcooling 3 K, Return Gas 20 °C.

## ENVELOPE



## EXTERNAL DIMENSIONS



WIRING DIAGRAM

