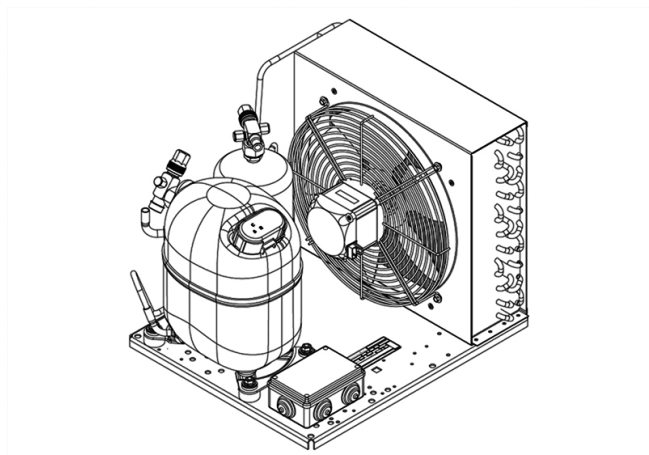


UNJ9226GS



ENGINEERING CODE
648LM5603AA



POWER SUPPLY
380-420 V 50 Hz



MOTOR TYPE
3PH



REFRIGERANT
R-404A



APPLICATION
HBP



STANDARD
EN13215_RG20



COOLING CAPACITY
1704 W



EFFICIENCY
1.72 W/W

CE

ECODESIGN
COMPLIANT

DATA

GENERAL DATA

Model UNJ9226GS

ACCESSORIES

Discharge valve	SOLDER 3/8"	2110049
Suction valve	SOLDER 5/8"	2110054

CONDENSING COMPONENTS

Compressor	NJ9226GS	M/HBP
Condenser	3R14T	2451221
Refrigerant	R-404A	
Expansion Device	C-V	
Fan Blade Diameter	300	
Fankit	34W/400V 300/28/5B	1996586

MECHANICAL DATA

Air Flow	700 m ³ /h
Height	372 mm
Receiver	2.3 L
Shaft Power	34
Weight	36 Kg
Width	410 mm
Length	481 mm

PERFORMANCE

TESTED CONDITIONS

Tested Refrigerant	R-404A
Tested Application	HBP
Tested Standard	EN13215_RG20

RATED POINTS

Ambient Temperature °C	Evaporating Temperature °C	Cooling Capacity W	Efficiency W/W	Consumo de Potencia W
32	-10	1704	1.72	993

Test Condition: Subcooling 3 K, Return Gas 20 °C.

PERFORMANCE CURVE

Ambient Temperature 25°C

Evaporating Temperature °C	Cooling Capacity W	Efficiency W/W	Consumo de Potencia W
-20	1350	1.78	760
-15	1668	1.93	865
-5	2305	2.14	1079
0	2626	2.20	1191
5	2947	2.25	1308
10	3268	2.28	1431

Test Condition: Subcooling 3 K, Return Gas 20 °C.

PERFORMANCE CURVE

Ambient Temperature 32°C

Evaporating Temperature °C	Cooling Capacity W	Efficiency W/W	Consumo de Potencia W
-20	1186	1.45	817
-15	1434	1.60	898
-5	1995	1.81	1103
0	2307	1.87	1231
5	2640	1.92	1377
10	2994	1.94	1542

Test Condition: Subcooling 3 K, Return Gas 20 °C.

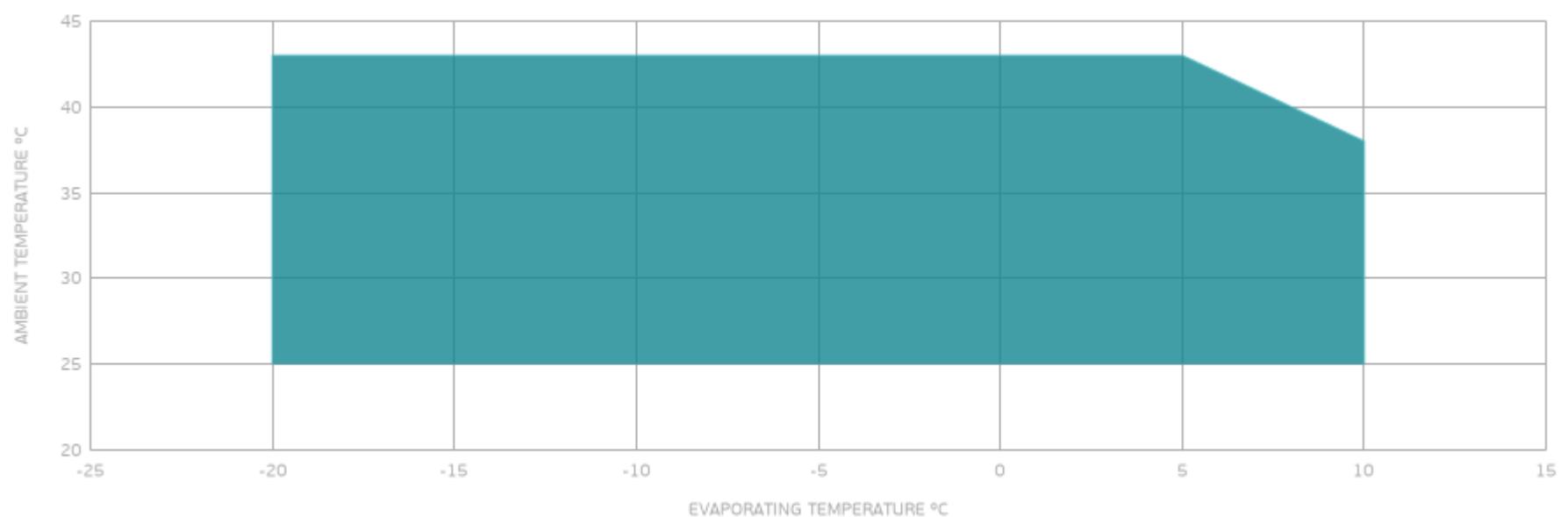
PERFORMANCE CURVE

Ambient Temperature 43°C

Evaporating Temperature °C	Cooling Capacity W	Efficiency W/W	Consumo de Potencia W
-20	908	1.04	877
-15	1118	1.19	942
-5	1700	1.44	1178
0	2071	1.53	1352
5	2496	1.59	1565

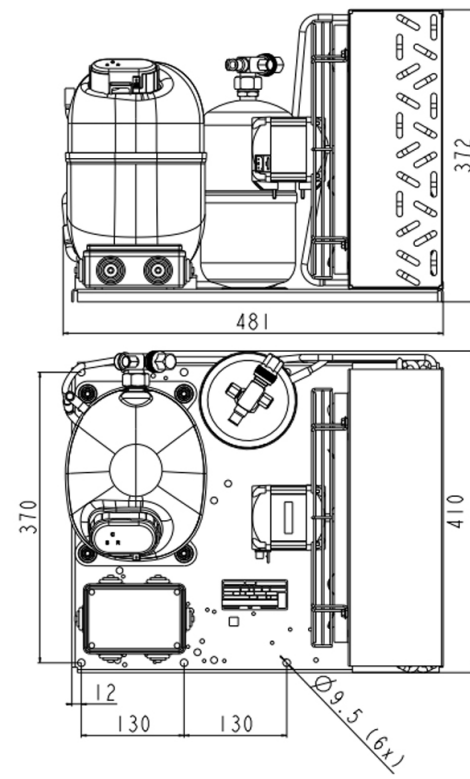
Test Condition: Subcooling 3 K, Return Gas 20 °C.

ENVELOPE



■ OPERATING CONDITION

EXTERNAL DIMENSIONS



WIRING DIAGRAM

