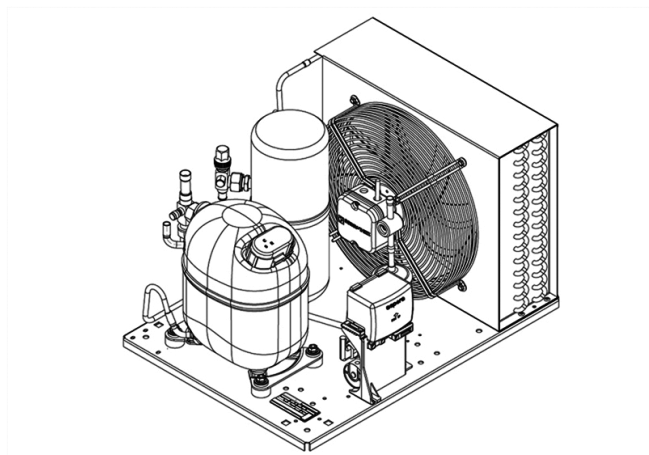


UNJ9232GK



ENGINEERING CODE
643NA5304AA



POWER SUPPLY
220-240 V 50 Hz



MOTOR TYPE
CSR



REFRIGERANT
R-404A



APPLICATION
HBP



STANDARD
EN13215_RG20



COOLING CAPACITY
2096 W



EFFICIENCY
1.66 W/W

CE

DATA

GENERAL DATA

Model UNJ9232GK

CONDENSING COMPONENTS

Compressor	NJ9232GK	M/HBP
Condenser	3R14T	2451198
Refrigerant	R-404A	
Expansion Device	C-V	
Fankit	S4E300-XX	1996589

MECHANICAL DATA

Air Flow	1450 m ³ /h
Height	372 mm
Shaft Power	95
Weight	38 Kg
Width	440 mm
Length	600 mm

PERFORMANCE

TESTED CONDITIONS

Tested Refrigerant	R-404A
Tested Application	HBP
Tested Standard	EN13215_RG20

RATED POINTS

Ambient Temperature °C	Evaporating Temperature °C	Cooling Capacity W	Efficiency W/W	Consumo de Potencia W
32	-10	2096	1.66	1266

Test Condition: Subcooling 3 K, Return Gas 20 °C.

PERFORMANCE CURVE

Ambient Temperature 25°C

Evaporating Temperature °C	Cooling Capacity W	Efficiency W/W	Consumo de Potencia W
-20	1566	1.52	1031
-15	1904	1.69	1129
-5	2695	1.99	1355
0	3146	2.12	1484
5	3634	2.24	1624
10	4156	2.34	1775

Test Condition: Subcooling 3 K, Return Gas 20 °C.

PERFORMANCE CURVE

Ambient Temperature 32°C

Evaporating Temperature °C	Cooling Capacity W	Efficiency W/W	Consumo de Potencia W
-20	1450	1.39	1046
-15	1760	1.53	1152
-5	2458	1.77	1390
0	2845	1.87	1523
5	3255	1.95	1667
10	3688	2.03	1820

Test Condition: Subcooling 3 K, Return Gas 20 °C.

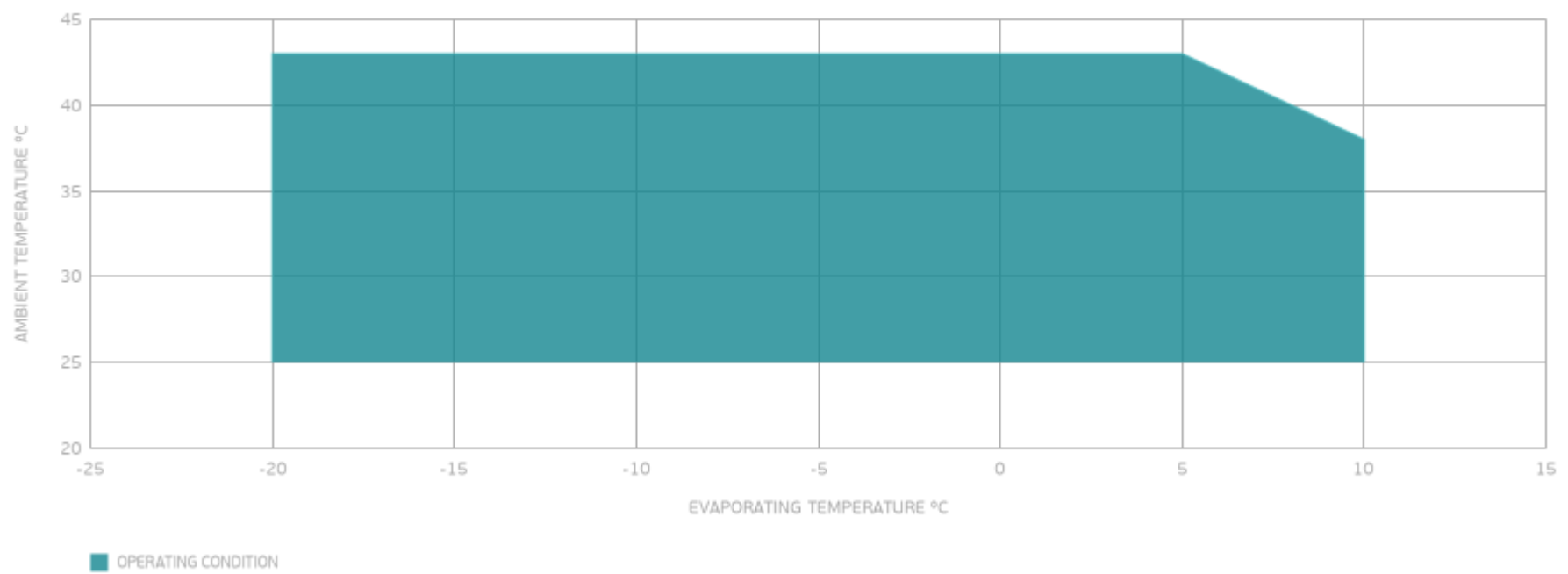
PERFORMANCE CURVE

Ambient Temperature 43°C

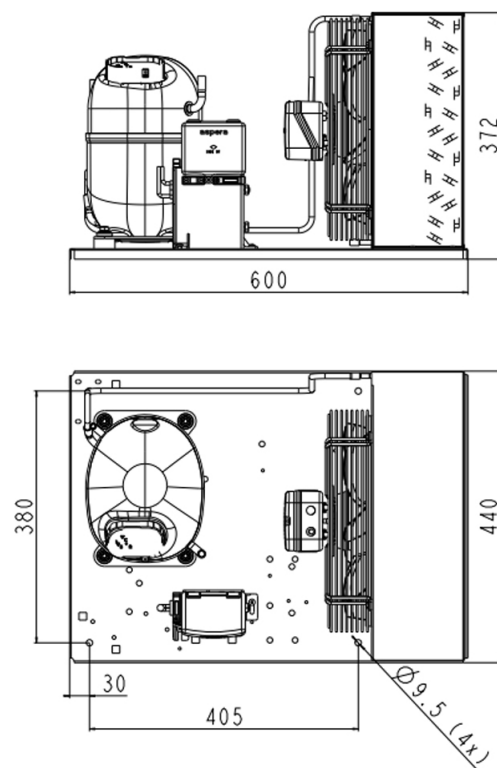
Evaporating Temperature °C	Cooling Capacity W	Efficiency W/W	Consumo de Potencia W
-20	1088	1.01	1074
-15	1366	1.14	1196
-5	1942	1.33	1461
0	2238	1.39	1605
5	2538	1.44	1758

Test Condition: Subcooling 3 K, Return Gas 20 °C.

ENVELOPE



EXTERNAL DIMENSIONS



WIRING DIAGRAM

