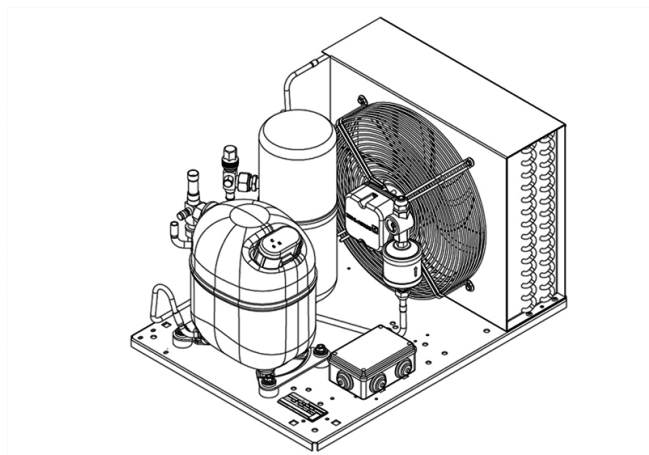


UNJ9232GS



**ENGINEERING CODE**  
647NM5603AA



**POWER SUPPLY**  
380-420 V 50 Hz



**MOTOR TYPE**  
3PH



**REFRIGERANT**  
R-404A



**APPLICATION**  
HBP



**STANDARD**  
EN13215\_RG20



**COOLING CAPACITY**  
2146 W



**EFFICIENCY**  
1.81 W/W

CE

ECODESIGN COMPLIANT

DATA

GENERAL DATA

Model UNJ9232GS

ACCESSORIES

Discharge valve	SOLDER 1/2"	2110050
Suction valve	SOLDER 5/8"	2110054

CONDENSING COMPONENTS

Compressor	NJ9232GS	M/HBP
Condenser	3R14T	2451198
Refrigerant	R-404A	
Expansion Device	C-V	
Fankit	S4E300-XX	1996590

MECHANICAL DATA

Air Flow	1450 m <sup>3</sup> /h
Height	372 mm
Shaft Power	60
Weight	43 Kg
Width	440 mm
Length	600 mm

## PERFORMANCE

### TESTED CONDITIONS

Tested Refrigerant	R-404A
Tested Application	HBP
Tested Standard	EN13215_RG20

### RATED POINTS

Ambient Temperature °C	Evaporating Temperature °C	Cooling Capacity W	Efficiency W/W	Consumo de Potencia W
32	-10	2146	1.81	1187

Test Condition: Subcooling 3 K, Return Gas 20 °C.

### PERFORMANCE CURVE

Ambient Temperature 25°C

Evaporating Temperature °C	Cooling Capacity W	Efficiency W/W	Consumo de Potencia W
-20	1534	1.67	916
-15	1953	1.90	1031
-5	2805	2.18	1288
0	3301	2.30	1436
5	3887	2.43	1603
10	4593	2.57	1790

Test Condition: Subcooling 3 K, Return Gas 20 °C.

### PERFORMANCE CURVE

Ambient Temperature 32°C

Evaporating Temperature °C	Cooling Capacity W	Efficiency W/W	Consumo de Potencia W
-20	1403	1.48	946
-15	1777	1.67	1062
-5	2539	1.92	1325
0	2989	2.02	1479
5	3527	2.14	1652
10	4186	2.27	1847

Test Condition: Subcooling 3 K, Return Gas 20 °C.

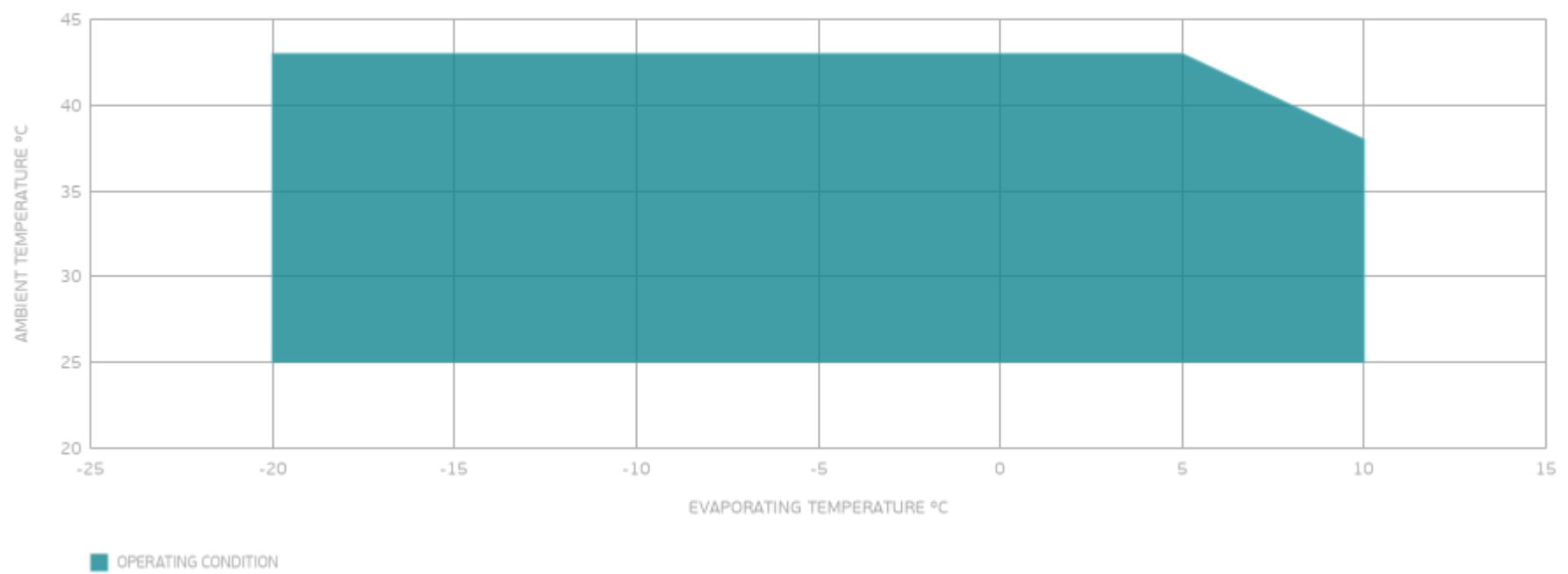
## PERFORMANCE CURVE

Ambient Temperature 43°C

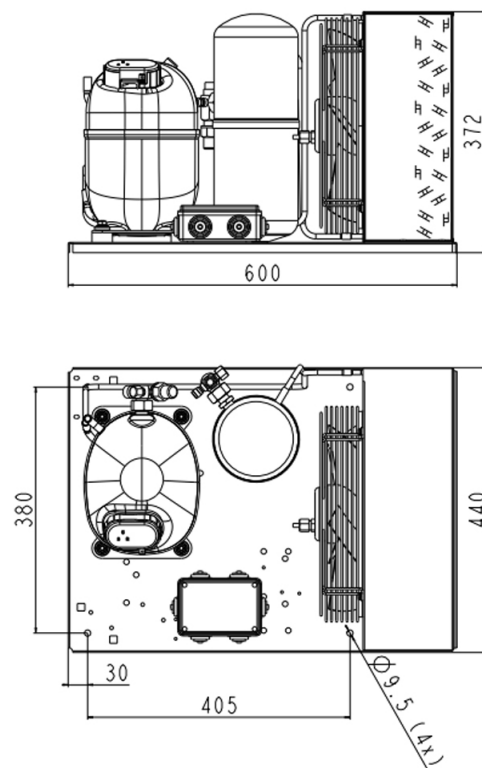
Evaporating Temperature °C	Cooling Capacity W	Efficiency W/W	Consumo de Potencia W
-20	1187	1.18	1002
-15	1510	1.34	1124
-5	2164	1.54	1406
0	2559	1.63	1573
5	3041	1.73	1761

Test Condition: Subcooling 3 K, Return Gas 20 °C.

## ENVELOPE



## EXTERNAL DIMENSIONS



WIRING DIAGRAM

